

OPERATING INSTRUCTIONS FOR

LD48PRO+/LD44/LD40



EN	<i>Instructions for use</i>	IS	<i>Notkunarleiðbeiningar</i>
SV	<i>Bruksanvisning</i>	KO	<i>사용 지침</i>
DK	<i>Betjeningsvejledning</i>	LT	<i>Naudojimo instrukcija</i>
DE	<i>Gebrauchsanweisung</i>	LV	<i>Lietošanas instrukcija</i>
EL	<i>Οδηγίες χρήσης</i>	NO	<i>Bruksanvisning</i>
ES	<i>Instrucciones de uso</i>	NL	<i>Gebruiksaanwijzing</i>
ET	<i>Kasutusjuhend</i>	PL	<i>Instrukcje użytkowania</i>
FI	<i>Käyttöohje</i>	RO	<i>Instrucțiuni de utilizare</i>
FR	<i>Mode d'emploi</i>		

GET 10 YEARS WARRANTY!

Register and follow the instructions at
warranty-woods.com

Registrera dig och hitta den senast
uppdaterade bruksanvisningen på
woods.se

Register and find the latest
updated user manual at
woods.se

CONTENT	PAGE NO
English	04
Swedish	12
Danish	20
German	28
Greek	36
Spanish	44
Estonian	52
Finnish	60
French	68
Icelandic	76
Korean	84
Lithuanian	92
Latvian	100
Norwegian	108
Dutch	116
Polish	124
Romanian	132



INSTRUCTIONS FOR USE"

"Flammable material. This appliance contains R290/Propane a flammable refrigerant.



Refer operators manual.



Read technical manual



Read operators manual.

SAFETY INFORMATION

Before the installation and use of the appliance, carefully read the supplied instructions. The manufacturer is not responsible if an incorrect installation and use causes injuries and damages. Always keep the instructions with the appliance for future reference.

CHILDREN AND VULNERABLE PEOPLE SAFETY



Risk of injury or permanent disability.

This appliance can be used by children aged 8 years and above and persons with reduced physical, sensory or mental capabilities or lack of experience and knowledge if they have been given supervision or instruction concerning use of the appliance in a safe way and understand the hazards involved. Do not let children play with the appliance. Children of less than 3 years should be kept away unless continuously supervised. Keep all packaging away from children. Cleaning and user maintenance shall not be made by children without supervision.

GENERAL SAFETY

This appliance is intended to be used in household and similar applications such as: – basements, crawl spaces; staff kitchen areas in shops, offices and other working environments. The rating plate is located behind the water tank of the dehumidifier. Keep ventilation openings clear of obstruction.

Do not use mechanical devices or other means to accelerate the defrosting process, other than those recommended by the manufacturer. The appliance shall not be stored in a room where ignition sources are operating continuously (open flames, working gas appliance, operation electric heater, etc). Do not pierce or burn.

Be aware that refrigerants may not have an odour. Do not use water spray and steam to clean the appliance. Clean the appliance with a moist soft cloth. Only use neutral detergents. Do not use abrasive products, abrasive cleaning pads, solvents or metal objects. If the power cord is damaged, it must be replaced by the manufacturer, its authorized Service Centre or similarly qualified persons in order to avoid a hazard.

SAFETY INSTRUCTIONS



Only a qualified person can install this appliance.

Remove all packaging material. Do not install or use a damaged appliance. The appliance shall be installed, operated and stored in a room with a floor area larger than 4m². Strictly follow the installation instruction supplied with the appliance. Always be careful when you move the appliance because it is heavy. Always wear safety gloves.

Make sure the air can circulate around the appliance. Wait at least 4 hours before connecting the appliance to the power outlet. This is to allow the oil to flow back in the compressor. Do not install the appliance close to radiators or other heat sources. Do not install the appliance in direct sunlight.

ELECTRICAL CONNECTION



Risk of fire and electrical shock.

The appliance must be connected to a grounded outlet. Make sure that the electrical information on the rating label is in accordance to the power supply. If not, contact an electrician. Always use a correctly installed shockproof socket. Do not use multi-plug adapters and extension cables. Make sure not to cause damage to the electrical components (e.g. plug, cable). Contact the authorized Service Centre or an electrician to change the electrical components. The cable must stay below the level of the plug. Connect the plug to the power socket only at the end of the installation. Make sure that there is access to the plug after the installation. Do not pull the power cable to disconnect the appliance. Always unplug the power cable from the plug only.

USE



Risk of injury, burns, electrical shock or fire.

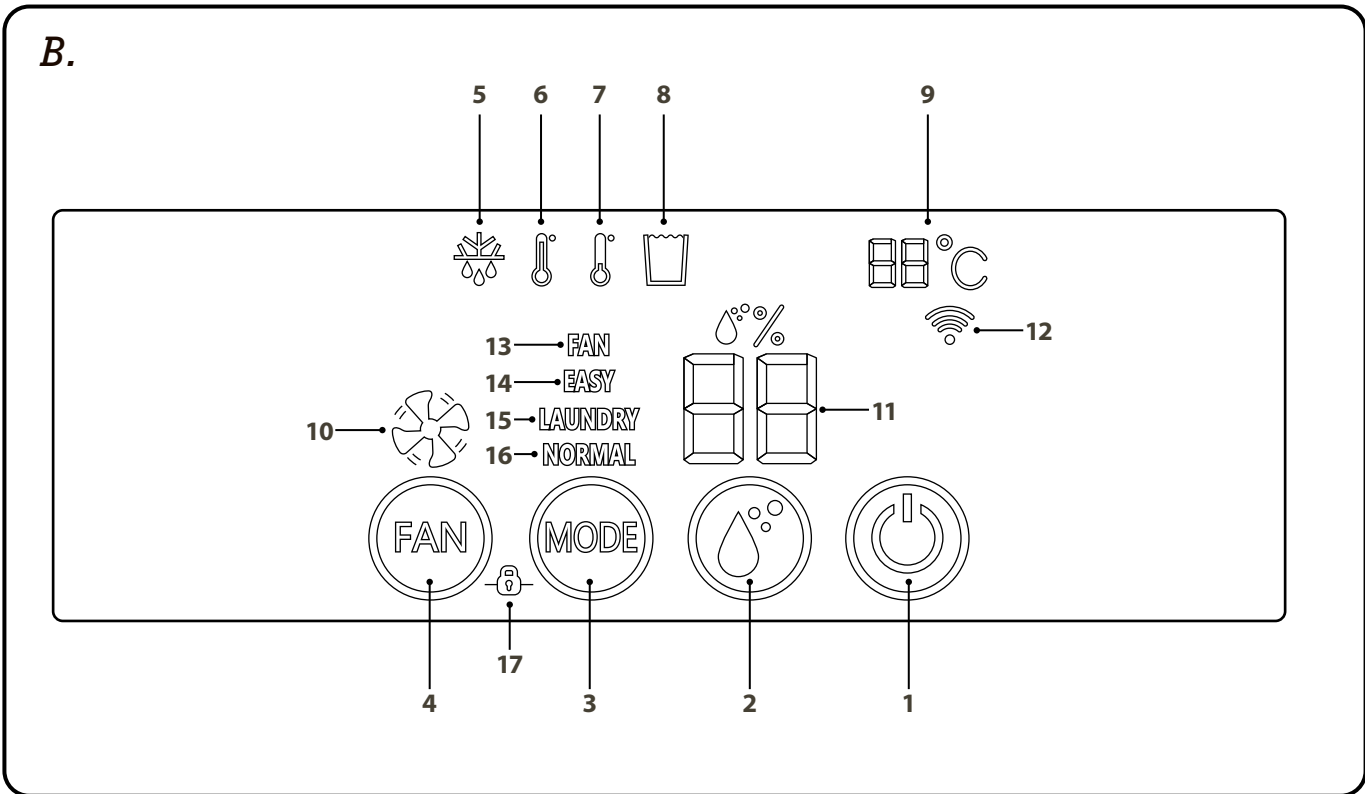
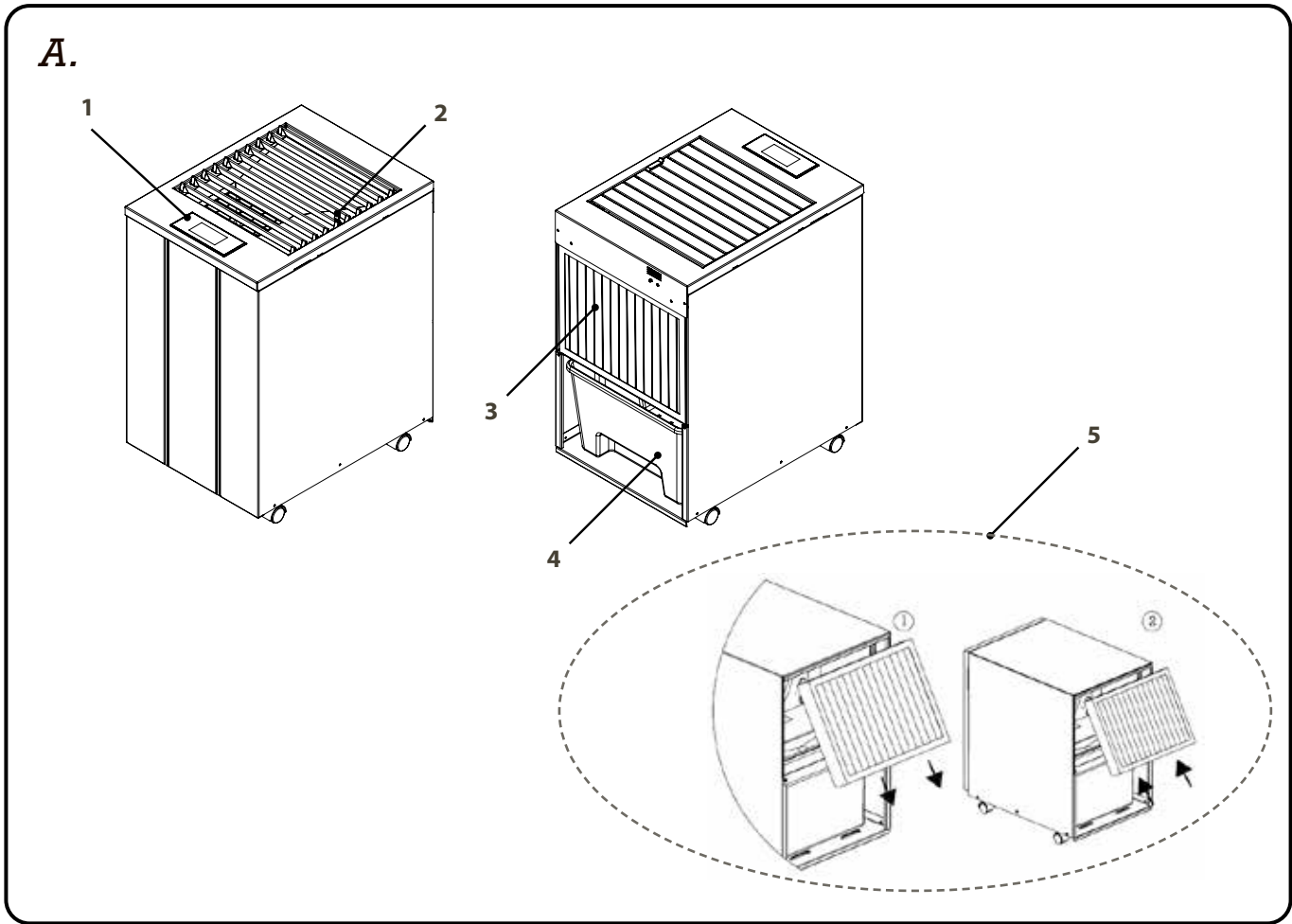
Do not change the specification of this appliance. Be careful not to cause damage to the refrigerant circuit. It contains propane (R290), a natural gas with a high level of environmental compatibility. This gas is flammable. If damage occurs to the refrigerant circuit, make sure that there are no flames and sources of ignition in the room. Ventilate the room. Do not put flammable products or items that are wet with flammable products near or on the appliance.

DISPOSAL



Risk of injury.

Disconnect the appliance from the mains supply. Cut off the mains cable and discard it. The refrigerant circuit of this appliance is ozone-friendly. Contact your local authority for information on how to discard the appliance correctly. Do not cause damage to the part of the cooling unit that is near the heat exchanger."



PRODUCT DESCRIPTION

"A.

1. Control panel
2. Draught valve to open/close/aim the air stream
3. Air filter
4. Water container
5. Change of air filter"

B.

CONTROL PANEL - FUNCTION DESCRIPTION

Dehumidifiers in the LD series are equipped with an intuitive control panel for simple and convenient use. Note that the control panel powers down to idle mode 20 seconds after connection of mains voltage or after last input and is revived by touching the area where the function keys are located. All keystrokes are confirmed with a beep

FUNCTION KEYS

1. On/OFF- Switches the dehumidifier on and off. In off mode the energy consumption equals 0.5 W.
2. Setting of the desired humidity - Only active in program modes "Normal" and "Fan". Desired humidity can be set between 35 - 75% in steps of 1 percentage point. The set value is first displayed fixed and then flashing before the actual value reappears.
3. Mode selection - Selection of operating program, refer points 13. - 16. below.
4. Fan speed - The speed of the fan may in "Normal" and "Fan" mode be set at low or high speed. Switching between the speeds takes place with a few seconds delay.

ALARMS / INFORMATION

5. Defrost - If necessary, the cooling circuit is defrosted automatically, whereby the compressor is switched off and only the fan is in operation. The symbol goes out when the dehumidification process is restarted.
6. Too high ambient temperature – If the ambient temperature exceeds 35 °C the dehumidification process shuts off and resumes automatically when the ambient temperature falls below 35 °C. The symbol is lit as long as the temperature is 35 °C or higher.
7. Low room temperature – if the ambient temperature falls below 2 °C the dehumidification process shuts off and resumes automatically when the ambient temperature rises above 2 °C. The symbol is lit as long as the temperature is 2 °C or lower.
8. Condensate tank full – When the tank is full an audible signal is activated for 20 seconds and the symbol is lit. When the water tank is emptied and repositioned, the reset is reset the operating program automatically. Make sure that the float hangs freely in the tank.
9. Room temperature – Displays the detected ambient temperature.
10. Fan speed - Fan and dashes indicate high speed and only fan indicates low speed.
11. Relative humidity - Shows current and desired target values. The latter in connection with target value setting.
12. WiFi - Indicates when WiFi is connected. Applies only to models equipped with this feature.

OPERATING MODES

13. Fan mode - Used if continuous air circulation is desired. Fan speed and target value for humidity can be set. When the set target value is reached, only the compressor is switched off to restart again if the humidity rises.
14. Comfort mode (EASY) - The dehumidifier aims for 50% relative humidity with the fan set to low speed. When the target value is reached, compressor and fan shuts off and restarts if the humidity rises above 50%.
15. Laundry drying mode (LAUNDRY) - The dehumidification process is in operation with the fan at high fan speed until it is turned off manually or the mode is changed.
16. Normal Mode (NORMAL) – Used to manually set the target value for humidity and fan speed. When set target value is reached, compressor and fan shuts off and restarts if the humidity rise above the target value.
17. Lock function - Used to prevent that settings unintentionally are changed. The lock function is operating the FAN and MODE keys simultaneously for 3 seconds. Disabling the lock function is done in the same way."

TECHNICAL DATA	LD40	LD44	LD48PRO+
Max. working area	100 m ²	140 m ²	180 m ²
Air flow step 1	200 m ³ /h	160 m ³ /h	160 m ³ /h
Air flow step 2	350 m ³ /h	300 m ³ /h	300 m ³ /h
Dehumidifying at 20° C and 70% r.h.	7,5 L/24h	11 L/24h	16 L/24h
Dehumidifying at 30° C and 80% r.h.	13 L/24h	19 L/24h	31 L/24h
Power at 20° C and 70% r.h.	180 W	285 W	450 W
Energy consumption at 20° and 70% r.h.	4,3 kWh/24 h	8 kWh/24 h	9,1 kWh/24 h
Tank volume	11 l	11 l	11 l
Refrigerant	R290	R290	R290
Refrigerant change	99 g	115 g	130 g
Voltage	230 V	230 V	230 V
Frequency	50 Hz	50 Hz	50 Hz
Fuse	10 A	10 A	10 A
IP-class	X1	X1	X1
Dimensions (L x W x H)	460 x 345 x 575 mm	460 x 345 x 575 mm	460 x 345 x 575 mm

*Technical changes and improvements may occur. All values are approximate and may vary depending on external circumstances such as temperature, ventilation and humidity

PROBLEM

REMEDY

The dehumidifier does not start	<ul style="list-style-type: none"> • Make sure that the dehumidifier is connected to the socket and that the fuse has not blown. • If the symbol icon is lit, check that the water tank is empty and correctly seated in the dehumidifier. Make sure the float hangs freely. • Check that the value of the humidity in the machine's control panel is displayed by "waking up" the panel. The dehumidifier must start within 5 minutes if this is higher than the set value. • Unplug the power cord, wait 10 seconds and reconnect it.
The dehumidifier does not start	<ul style="list-style-type: none"> • Make sure the fan wheel is spinning. • Make sure that the air can flow freely through the dehumidifier. Air emissions and air filters must be clean and the dehumidifier must be at least 20-30 cm from the wall. • Listen if the compressor is running, but keep in mind that the dehumidifier may be defrosting cycle and then the compressor will stop. Start by waiting for about 30 minutes. • Check that a thick layer of ice does not form on the cooling coils / slats behind the filter.
High noise level/rattling	<ul style="list-style-type: none"> • Increase the distance between the dehumidifier and surrounding surfaces. • The cooling coils may make contact to each other and cause vibrations. Disconnect the dehumidifier from the electrical outlet and separate the loops
No condensate water collected	<ul style="list-style-type: none"> • Check that no dirt etc. is deposited on the drip tray underneath the cooling coils, clean if necessary. • Check that the temperature is above 2 ° C or below 35 ° C.
Does not shut off when water tank is full.	<ul style="list-style-type: none"> • It is important that the float hangs freely in the water tank. If it does not, it does not sense the water level is and can therefore not ensure that the dehumidifier stops
Error code E2	<ul style="list-style-type: none"> • If E2 is shown in the display, the humidity sensor may be defective. Try unplugging the power cord, wait 10 seconds, and reconnect it. If the error code persists, contact your dealer.

If you have a problem with your dehumidifier, refer the troubleshooting guide. If none of the above works, contact your dealer to get your dehumidifier serviced."

WOOD'S, THE WORLD'S LEADING DEHUMIDIFIERS

Wood's dehumidifier products have been known as market leaders for many years. Our dehumidifiers are suitable for use in the most demanding climates, where dehumidifying capacity is good even at lower temperatures and humidity levels. They are used with good results in premises that become damp such as basements, garages or summer houses. They also work great when drying washing without wear on textiles, in pool areas and in laundry rooms. They are efficient and have low energy consumption. They are also excellent for drying laundry, attics, pool rooms and. Being efficient and low in energy consumption.

The amount of moisture that the dehumidifier removes depends on temperature, humidity level and placement. The weather outdoors also affects dehumidifier performance. In cold weather the relative humidity indoors drops, thus reducing the dehumidifier's moisture absorption from the air. Therefore, the dehumidifier is adapted for use in the temperature range + 2°C to + 35°C. Wood's dehumidifiers are safe and designed to operate continuously for many years.

EXCESSIVE AIR HUMIDITY – A DANGER

Condensation occurs when the water vapor in the air comes into contact with a cold surface such as a ceiling, window or wall. When the water vapor cools down condensation takes place whereby water droplets form. At high humidity, stale air can occur and mold is formed which damages the house and its interior. This environment can also lead to illnesses of the inhabitants when, among other things, mites thrive in a humid environment. A dehumidifier with high performance creates a good and healthy moisture level. To achieve the best effect, doors and windows of the spaces to be dehumidified should be kept closed. The dehumidifier removes bad odor, dries wood and removes moisture from sports equipment for outdoor use etc. A dehumidifier can be used in basements, laundry rooms, garages, caravans, summer cottages and in boats. If the dehumidifier is used in colder environments, take a closer look at the hints in the end of the instructions for use.

NOTE!

When placed in a shower or bathing area, the dehumidifier should be fixed in place. It is mandatory to check and follow the local bathroom electrical regulations before use.

USE WOOD'S DEHUMIDIFIERS

If the dehumidifier is transported horizontally, leave it standing upright for 4 hours before use. It is very important for the oil to flow back into the compressor, as the dehumidifier otherwise may take serious damage. Wood's dehumidifiers are easy to move around when they are equipped with wheels. All that is required is the

proximity to an electrical outlet for 220-240 V, but keep in mind the following:

The dehumidifier should not be placed near radiators or other heat sources and not exposed to direct sunlight as it lowers performance.

- You can use a radiator or heating fan to keep the temperature above + 2°C.
 - The dehumidifier should be placed at least 25 cm away from walls and other obstruction to ensure maximum air flow.
 - It is ideal to place the dehumidifier as centrally in the room/area as possible.
1. Check that the water tank is correct positioned.
 2. Connect the dehumidifier to a grounded electrical outlet.
 3. Choose the desired humidity program or humidity level using the control panel. Refer the section on function description.

NOTE!

When the dehumidifier switches off, it takes 5 minutes before it restarts.

FLOAT

The float consists of a white plastic cylinder suspended by two wires hanging in two arms. The float is buoyant and when the water level rises, the float is lifted up. When the float has reached a certain height, the dehumidifier detects this and turns off automatically to prevent flooding. When the water tank is emptied it should be put back in position the following way:

EMPTYING WATER CONTAINERS

1. When the water tank is full, pull it gently outwards and empty it into the drain.
2. Push the water container back in until it touches the float.
3. Lift the bottom edge of the water tank to incline the water tank slightly.
4. Push the water tank in last distance. The float should now have ended up in the water tank, instead of being clamped behind it.

NOTE!

It is important that the float hangs freely, because its purpose is to detect the water level in the tank and ensure that the dehumidifier switches off when the level is high. An incorrectly positioned float can cause the water tank to overflow.

DRAIN THE WATER TO THE SEWER

1. Disconnect the dehumidifier from the electrical outlet and remove the water tank to access the threaded connection underneath the drip tray.
2. Attach the hose coupling to the threaded connector and lead the hose to the drain.

Ensure that the hose positioned lower than the the drip tray.

3. Insert the dehumidifier plug into the socket.
4. Without hose and directly over the drain:
5. Place the dehumidifier directly over the drain so that the condensed water can drip through the hole in the bottom of the dehumidifier and into the drain.

AUTOMATIC SHUTDOWN

When the water tank is full, the dehumidifier shuts off automatically, signaling that the water tank must be emptied before you can use the dehumidifier again. Refer the function description.

1. Disconnect the dehumidifier from the electrical outlet.
2. Empty the water tank.
3. Replace the emptied water tank and make sure the float hangs free, refer the Float section.
4. Connect the dehumidifier to the electrical outlet. The dehumidifier restarts in the same mode as when disconnected.

AIR FILTER

The air filter on the back of the dehumidifier ensures that the cooling coils are kept free of dust. It is important that the filter is clean so that the air can flow freely through the dehumidifier. The filter should therefore be replaced when needed.

The dehumidifier is equipped with an SMF filter which improves the capacity of the dehumidifier at the same time as it further purifies the air. Refer instructions for changing the air filter. We recommend at least one filter change per year. To follow the warranty program Register your dehumidifier at warranty-woods.com

AUTOMATIC DEFROST

Wood's dehumidifiers are equipped with a control systems ensuring that the cooling coils are defrosted if necessary. The control system switches off the compressor, which causes the cooling of the loops to stop. The fan continues to draw the room temperature air through the dehumidifier and thus the ice melts and the water flows down into the water tank. Note that this control system allows the dehumidifier to operate at temperature as low as + 2°C

FAN

The fan ensures that air flows through the dehumidifier. Moist air is sucked in from the back and through the evaporator and condenser and released dry on the top of the dehumidifier.

CLEANING AND MAINTENANCE

Wood's dehumidifiers require cleaning and filter replacement to maintain its high dehumidification capacity.

- The air outlet can be vacuumed or cleaned with a brush. Use caution to prevent the slats from being damaged.
- The cooling coils are best cleaned with a cloth and warm water. Use caution.
- The fan motor is permanently lubricated and requires no maintenance.

NOTE!

Unplug the power cord from the electrical outlet before cleaning.

HINTS

- For maximum dehumidification capacity in a room it is recommended that the supply air from the outside and adjoining rooms are minimized - close doors and valves. If possible, place the dehumidifier in the middle of the room.
- Raise the temperature in the room for faster dehumidification. (Hot air can carry more water). Use a frost guard if the temperature drops below + 2 °C
- The dehumidifier extracts more water during the summer and autumn because the outdoor air is warm and moist. (The absolute humidity is normally higher).
- Recommended limits for use:
 - Temp. SW + 2°C to + 35°C
 - Relative humidity: 30% to 90%
 - Recommended moisture level c.a. 50% RH

IF THE DEHUMIDIFIER REQUIRES SERVICE

If the dehumidifier requires servicing, firstly contact the retailer. For all warranty claims, a proof of purchase is required.

NOTE!

Get a 10-year warranty! Register at warranty-woods.com
Replace the SMF filter at least once a year.
Visit woods.se for more information

GUARANTEES

2 year's guarantee against faults in manufacturing. Please note that the guarantee only is valid upon presentation of a purchase receipt

IMPORTANT!

Wood's dehumidifier shall be connected to a grounded electrical outlet having a voltage of 220V-240V 50Hz."

“GUARANTEE

TO GET AN EXTENDED WARRANTY, FROM 2 TO 10 YEARS, PLEASE FOLLOW THESE STEPS.

1. Register your dehumidifier after your purchase at warranty-woods.com
2. Replace the SMF filter in your dehumidifier regularly, at least once a year. If you want, we'll send you a reminder when a filter change is due. The reminder is, of course, free of charge. You can find filters at your local retailer, or distributor. Please visit woods.se to locate your closest Wood's distributor.

NOTE!

There is no obligation to purchase filters when you register your dehumidifier at warrantywoods.com

SAVE YOUR RECEIPTS!

These will be required for any warranty claim during the period.”





SÄKERHETSVARNINGAR

Brännbart ämne. Denna maskin innehåller R290/Propan – ett brännbart köldmedium.



Se denna bruksanvisning för säkerhetsinformation.



Läs den tekniska manualen



Läs bruksanvisningen.

SÄKERHETSINFORMATION

Läs igenom de medföljande instruktionerna noggrant före installation och användning av apparaten. Tillverkaren tar inget ansvar för felaktig installation som orsakar personskador och materiella skador. Förvara alltid instruktionerna tillsammans med apparaten för framtida referens.

Brandfarligt material. Denna apparat innehåller R290/propan, ett brandfarligt köldmedium.

BARN OCH UTSATTA PERSONERS SÄKERHET

VARNING ⚠

Risk för skador och permanent invaliditet.

Risk för personskada eller permanent invaliditet. Denna apparat kan användas av barn från 8 år och uppåt och personer med nedsatt fysisk, sensorisk eller mental förmåga eller bristande erfarenhet och kunskap om de har fått tillsyn eller instruktioner om användning av apparaten på ett säkert sätt och förstå de faror som är inblandade. Låt inte barn leka med apparaten.

Barn som är yngre än 3 år bör hållas borta om de inte övervakas kontinuerligt. Förvara allt emballage utom rätkhåll för barn. Rengöring och underhåll får inte göras av barn utan uppsikt.

ALLMÄN SÄKERHET

Denna apparat är avsedd att användas i hushåll och liknande användningsområden såsom: - köllare, kryputrymmen; personalkök i butiker, kontor och andra arbetsmiljöer. Märkskylten sitter på baksidan eller sidan av avfuktaren.

Se till att ventilationsöppningarna inte är blockerade.

Använd inte mekaniska anordningar eller andra hjälpmedel för att påskynda avfrostningen än de som rekommenderas av tillverkaren.

Apparaten får inte förvaras i ett rum med antändningskällor som är aktiva (till exempel: öppen eld, gasdriven utrustning eller en elektrisk värmare. Får inte punkteras eller brännas.

Tänk på att köldmedier kan avge lukt. Använd inte vattenspray och ånga för att rengöra apparaten. Rengör apparaten med en fuktig, mjuk trasa. Använd endast neutrala rengöringsmedel. Använd inte slipmedel, den slipande sidan på kökssvampar, lösningsmedel eller metallföremål.

Om nätsladden är skadad måste den bytas ut av tillverkaren, dess auktoriserade servicecenter eller liknande kvalificerade personer för att undvika fara.

SÄKERHETSFORESKRIFTER

VARNING ⚠

Denna apparat får endast installeras av en fackman.

Ta bort allt emballage. Installera inte eller använd apparaten om den är skadad. Apparaten ska installeras, användas och förvaras i ett rum med en golvyta som är större än 4 m². Följ installationsanvisningarna som medföljer apparaten. Var alltid försiktig när du flyttar apparaten eftersom den är tung. Använd alltid skyddshandskar.

Se till att luften kan cirkulera runt apparaten. Vänta minst 4 timmar innan du ansluter apparaten till strömförsörjningen. Detta är för att oljan ska kunna rinna tillbaka in i kompressorn. Installera inte apparaten nära radiatorer eller andra värmekällor. Installera inte apparaten på en plats där den utsätts för direkt solljus.

ANSLUTNING TILL ELNÄTET

VARNING ⚠

Risk för brand och elstötar.

Apparaten måste anslutas till ett jordat uttag. Se till att den elektriska informationen på märkskylten överensstämmer med strömförsörjningen. Om inte, kontakta en elektriker. Använd alltid ett korrekt installerat, stötsäkert uttag. Använd inte grenuttag och förlängningskablar. Se till att de elektriska komponenterna inte skadas (t.ex. stickkontakt, nätsladd). Kontakta det auktoriserade servicecentret eller en elektriker för att byta ut elektriska komponenter. Nätsladden måste vara placerad på en nivå som är under stickkontakten. Anslut stickkontakten till eluttaget först när installationen är klar. Se till att det är enkelt att komma åt

stickkontakten efter installationen. Dra inte i sladden när du ska koppla från apparaten. Håll alltid i stickkontakten när du ska dra ut sladden.

ANVÄNDA

VARNING ⚠

Risk för brännskador, elstötar eller brand.

Ändra inte specifikationen för denna apparat. Var försiktig så att inte köldmediekretsen skadas. Kretsen innehåller propan (R290), som är en miljövänlig naturgas. Gasen är brandfarlig. Om skador uppstår på köldmediekretsen, får det inte finnas någon öppen låga eller antändningskällor i rummet. Vädra ut gasen. Placera inte brandfarliga produkter eller föremål som är våta med brandfarliga produkter nära apparaten.

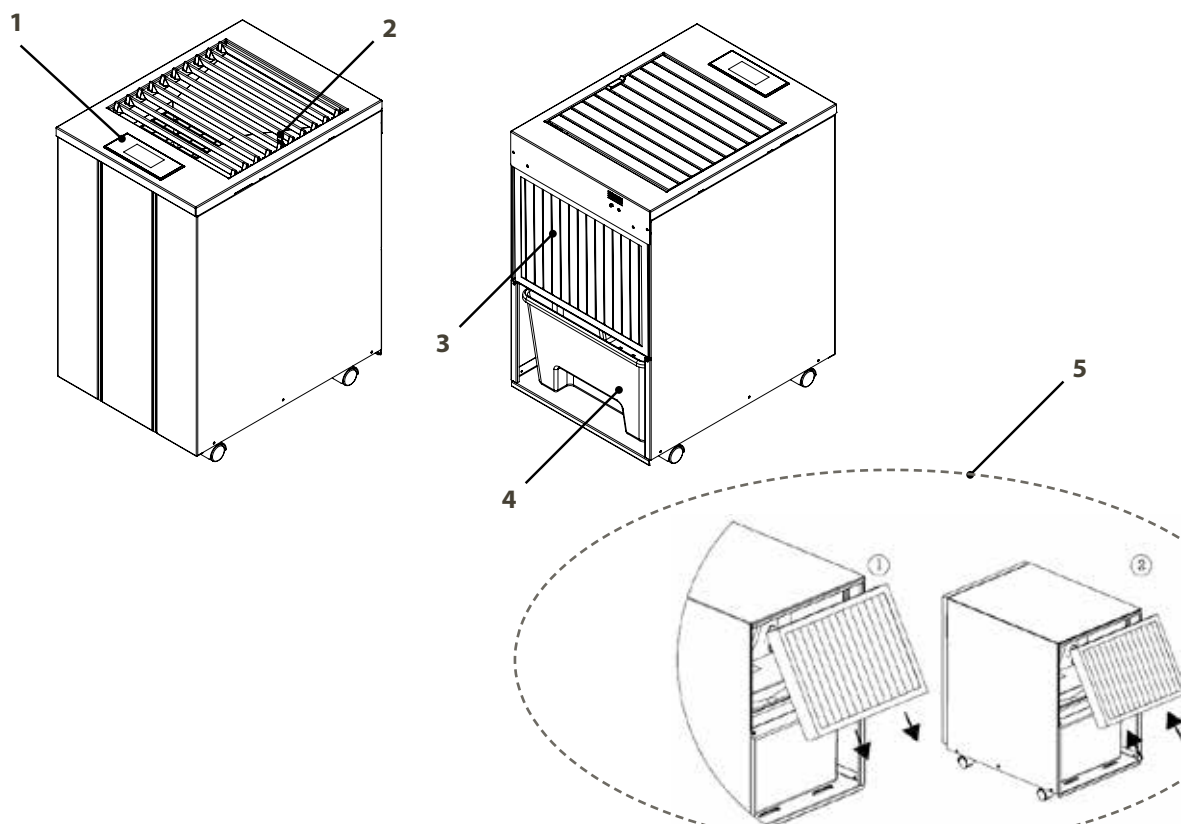
BORTSKAFFNING

VARNING ⚠

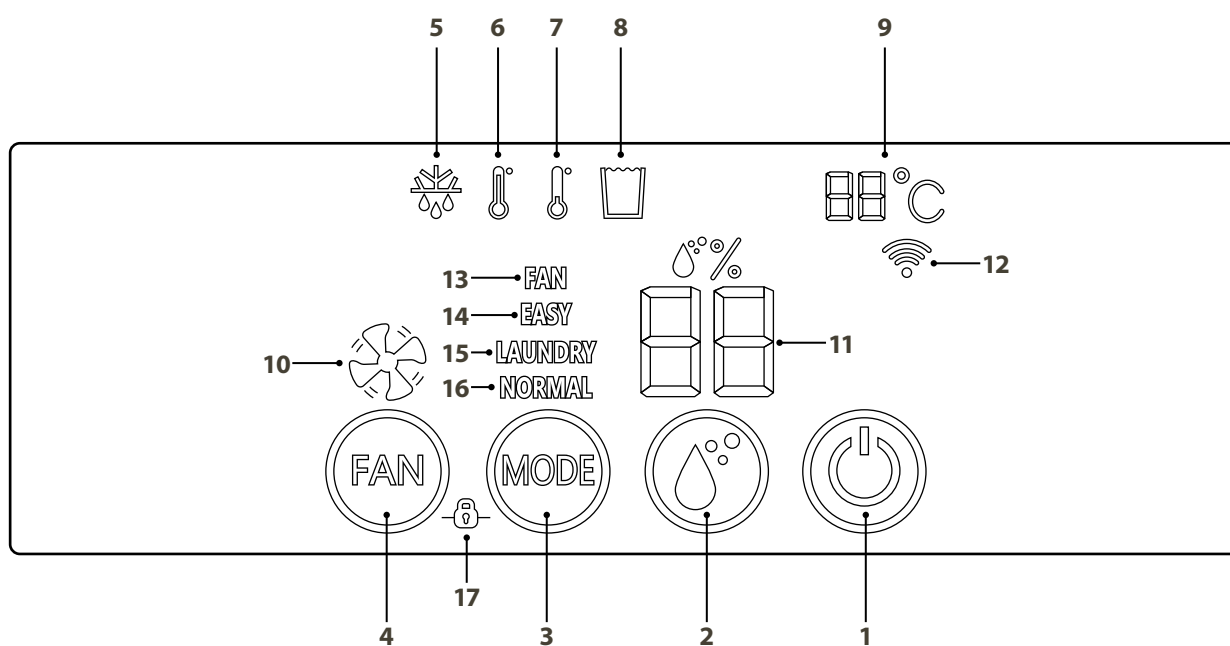
Risk för brännskador, elstötar eller brand.

Risk för personskador. Koppla bort apparaten från elnätet. Klipp av nätsladden och släng den. Köldmediekretsen i denna apparat är ozonvänlig. Kontakta din kommun för information om hur du kasserar apparaten korrekt. Det är viktigt att delen på kylaggregatet som är närmast värmväxlaren inte skadas.

A.



B.



PRODUKTBESKRIVNING

A.

1. Kontrollpanel
2. Reglage för att stänga/öppna/rikta returluften
3. Luftfilter
4. Vattenbehållare
5. Byte av luftfilter

B.

KONTROLLPANEL – FUNKTIONSBESKRIVNING

Luftavfuktare i LD-serien är försedda med en intuitiv kontrollpanel för enkel och bekväm användning. Notera att kontrollpanelen går ner i viloläge 20 sekunder efter anslutning av nätspänning eller senaste inmatningen och väcks genom att vidröra området där knappfunktionerna är placerade. Alla knapptryckningar bekräftas med en pipsignal.

KNAPPAR

1. På/av – Till- och fränkoppling av avfuktaren. I frånslaget läge är förbrukningen ungefär 0,5 W.
2. Inställning av önskad luftfuktighet – Endast aktiv i programläge "Normal" och "Fan". Önskad luftfuktighet kan ställas in mellan 35 – 75 % i steg om 1 procentenhet. Inställt värde visas först fast och därefter blinkande innan faktiskt värde återigen visas.
3. Programval – Val av driftprogram, se 13. – 16. nedan.
4. Fläkthastighet – Hastigheten hos fläkten kan under programmen "Normal" och "Fan" kan ställas in låg- eller högfartsläge. Omkoppling mellan hastigheterna sker med några sekunders fördröjning.

LARM/INFORMATION

5. Avfrostning – Om behov föreligger avfrostas kylkretsen automatiskt, varvid kompressorn stängs av och endast fläkten är i drift. Symbolen slocknar då avfuktningssprocessen återstartats.
6. Hög rumstemperatur – Om rumstemperaturen överstiger 35 °C stängs avfuktningssprocessen av och återtas igen automatiskt när temperaturen sjunker under larmtemperaturen. Symbolen är tänd så länge temperaturen är 35 °C eller varmare.
7. Låg rumstemperatur – Om rumstemperaturen understiger 2 °C stängs avfuktningssprocessen av och återtas igen automatiskt när temperaturen stiger över larmtemperaturen. Symbolen är tänd så länge temperaturen är 2 °C eller kallare.
8. Kondensvattenbehållare full – När behållaren är full aktiveras en ljudsignal under 20 sekunder och symbolen tänds. När vattenbehållaren tömts och återplacerats återtas det inställda driftprogrammet automatiskt. Kontrollera att flottören hänger fritt i tanken.
9. Rumstemperatur – Visning av maskinen upplevd rumstemperatur.
10. Fläkthastighet – Fläkt och streck indikerar hög hastighet och endast fläkt indikerar låg hastighet.
11. Relativ luftfuktighet – Visar aktuellt och önskat målvärde. Det senare i samband med inställning av målvärde.
12. WiFi – Indikerar när WiFi är anslutet. Gäller endast de modeller som är utrustade med denna funktion.

PROGRAMVAL

13. Fläktläge – Används om kontinuerlig luftcirkulation önskas. Fläkthastighet och målvärde för luftfuktighet kan ställas in. När inställt målvärde nåtts, stängs endast kompressorn av för att återstarta igen om fuktigheten stiger.
14. Komfortläge (EASY) – Luftavfuktaren styr mot 50 % relativ luftfuktighet med låg fläkthastighet. Vid uppnått målvärde stängs avfuktarens kompressor och fläkt av för att återstarta igen om fuktigheten stiger. Notera att kompressorn alltid är avstängd minst 5 minuter efter frånslag för att trycket i kylsystemet ska hinna utjämnas.
15. Läge för torkning av tvätt (LAUNDRY) – Avfuktningssprocessen är i drift med hög fläkthastighet till dess den stängs av manuellt eller byter program.
16. Normalläge (NORMAL) – Används för att manuellt ställa in målvärde för luftfuktighet och fläkthastighet. När inställt målvärde nåtts, stängs kompressor och fläkt av för att återstarta igen om fuktigheten stiger. Notera att kompressorn alltid är avstängd efter frånslag för att trycket i kylsystemet ska hinna utjämnas.
17. Låsfunktion – Används för att förhindra att inställningar oavsiktligt ändras. Aktiveras genom att samtidigt hålla knapparna för fläkthastighet och programval under 3 sekunder. Urkoppling av låsfunktionen sker på samma sätt.

TEKNISK DATA	LD40	LD44	LD48PRO+
Max. Arbetsområde	100 m ²	140 m ²	180 m ²
Luftflöde Steg 1	200 m ³ /h	160 m ³ /h	160 m ³ /h
Luftflöde Steg 2	350 m ³ /h	300 m ³ /h	300 m ³ /h
Avfuktning vid 20°C och 70% r.h.	7,5 L/24h	11 L/24h	16 L/24h
Avfuktning vid 30°C och 80% r.h.	13 L/24h	19 L/24h	31 L/24h
Effekt vid 20°C och 70% r.h.	180 W	285 W	450 W
Energiförbrukning vid 20°C och 70% r.h.	4,3 kWh/24 h	8 kWh/24 h	9,1 kWh/24 h
Tankvolym	11 l	11 l	11 l
Köldsmedium	R290	R290	R290
Fyllnadsmängd	99 g	115 g	130 g
Spänning	230 V	230 V	230 V
Frekvens	50 Hz	50 Hz	50 Hz
Säkring	10 A	10 A	10 A
IP-Klass	X1	X1	X1
Dimensioner (L x B x H)	460 x 345 x 575 mm	460 x 345 x 575 mm	460 x 345 x 575 mm

*Tekniska förändringar och förbättringar kan förekomma. Alla värden är ungefärliga och kan variera beroende på yttre omständigheter såsom temperatur, ventilation och luftfuktighet.

PROBLEM

ÅTGÄRD

Avfuktaren startar inte.	<ul style="list-style-type: none"> • Se till att avfuktaren är kopplad till eluttaget och att inte säkringen har gått. • Om symbolikon lyser, kontrollera att vattenbehållaren är tom och sitter rätt placerad i avfuktaren. Se till att flottören hänger fritt. • Kontrollera att värdet på luftfuktigheten i maskinens kontrollpanel visas genom att "väcka" panelen. Avfuktaren ska starta inom 5 min om detta är högre än inställt värde ställs i maxläget. • Ta ur nätsladden, vänta 10 sekunder och koppla in den igen.
Enheten avfuktar inte.	<ul style="list-style-type: none"> • Se till att fläkten snurrar. • Se till att luften kan flöda fritt genom avfuktaren. Luftutsläpp och luftfilter ska vara rena och avfuktaren ska stå minst 20-30 cm från väggen. • Lyssna om kompressorn är igång, men tänk på att avfuktaren kan vara inne i en avfrostningscykel och då stannar kompressorn. Börja med att avvakta i ca 30 minuter. • Kontrollera så att inte ett tjockt lager av is bildats på kylslingorna/lamellerna bakom filtret.
Hög ljudnivå/skrammel.	<ul style="list-style-type: none"> • Öka avståndet mellan avfuktaren och omgivande ytor. • Kylslingorna kan ligga intill varandra och orsaka vibrationer. Koppla bort avfuktaren från eluttaget och sära på slingorna.
Inget vatten kommer i behållaren.	<ul style="list-style-type: none"> • Kontrollera att ingen smuts mm ligger på droppträget som är under kylslingorna, rengör vid behov. • Kontrollera att temperaturen är över 2°C eller under 35°C.
Stänger inte av vid full vattenbehållare.	<ul style="list-style-type: none"> • Det är viktigt att flottören hänger fritt i vattenbehållaren. Gör den inte det känner den inte av hur hög vattennivå är och kan därför inte se till att avfuktaren stannar.
Felkod E2	<ul style="list-style-type: none"> • Om E2 visas i displayen kan fuktsensorn vara defekt. Prova med att dra ur nätsladden, vänta 10 sekunder och koppla in den igen. Om felkoden kvarstår kontakta din återförsäljare.

Om du har problem med din avfuktare, se felsökningen. Om inget av ovanstående fungerar, kontakta din återförsäljare för att få din avfuktare servad.

VÄRLDSLEDANDE AVFUKTARE FRÅN WOOD'S

Wood's är en av de världsledande tillverkarna av avfuktare. Våra avfuktare är anpassade för att användas i nordiskt klimat då avfuktningsskapaciteten är bra även vid lägre temperaturer och fuktnivåer. De används med gott resultat i utrymmen som lätt blir fuktiga, såsom källare, garage eller sommarstugor. De fungerar även utmärkt vid torkning av tvätt utan slitage på textilier, i poolutrymmen och i tvättstugor. De är effektiva och har låg energiförbrukning.

Den mängd fuktighet som avfuktaren tar bort beror på temperatur, fuktighetsnivå och placering. Även vädret utomhus påverkar avfuktarens prestanda. Vid kall väderlek sjunker den relativa fuktigheten inomhus och därmed minskar avfuktarens fuktuttag ur luften. Därför är avfuktaren anpassad att användas i temperaturintervallet +2°C till +35°C.

Wood's avfuktare är säkra i drift och avsedda att fungera kontinuerligt under många år.

FÖR HÖG LUFTFUKTIGHET - EN FARA

Kondens uppstår när luftens vattenånga kommer i kontakt med en kall yta såsom tak, fönster eller vägg. När vattenångan kyls ned sker en kondensering varvid vattendroppar bildas. Vid hög luftfuktighet kan unken luft uppstå och mögel bildas vilket gör att huset och dess inredning tar skada.

Denna miljö kan även leda till sjukdomar hos de boende då bland annat kvalster trivs i en fuktig miljö. En avfuktare med hög prestanda skapar en bra och hälsosam fuktnivå. För att nå bästa effekt skall dörrar och fönster hållas stängda till de utrymmen som ska avfuktas.

Avfuktaren avlägsnar dålig lukt, torkar trä och avlägsnar fukt från idrottsredskap för utomhusbruk m.m.

En avfuktare kan användas bland annat i källare, tvättstugor, garage, husvagnar, sommarstugor och i båtar. Kommer avfuktaren att stå i kallare miljöer bör du titta närmare på tipsen i slutet av manualen.

OBS!

Om avfuktaren placeras i ett dusch- eller badrum, bör avfuktaren skruvas fast. Det är obligatoriskt att kontrollera och följa de lokala bestämmelserna för installation i våtrum före användning.

Om avfuktaren transporteras liggande, låt den stå upprätt i 4 timmar före användning. Det är mycket viktigt att oljan rinner tillbaka in i kompressorn, eftersom avfuktaren annars kan ta allvarlig skada.

ANVÄNDA WOOD'S AVFUKTARE

Wood's avfuktare är lätta att flytta runt då de är utrustade med hjul. Allt som krävs är närheten till ett eluttag för 220-240 V, men tänk på följande:

Avfuktaren bör inte ställas i närheten av element eller andra värmekällor och inte utsättas för direkt solljus då det sänker prestandan.

- Man kan med fördel använda ett värmelement eller värmefläkt för att hålla temperaturen ovan +2°C.
- Avfuktaren ska stå minst 25 cm från väggen och andra hinder för att luftgenomströmningen ska vara maximal.
- Det är idealiskt att placera avfuktaren så centralt i rummet som möjligt.

1. Kontrollera att vattenbehållaren är rätt placerad.
2. Anslut avfuktaren till ett jordat eluttag.
3. Ställ in önskat fuktighetsprogram eller fuktnivå med hjälp av kontrollpanelen. Se avsnittet om funktionsbeskrivning.

OBS!

När avfuktaren stängs av tar det minst 5 minuter innan den återstartar.

FLOTTÖR

Flottören består av en vit plastcylinder som hänger i två armar. Flottören flyter och när vattennivån stiger lyfts flottören upp. När flottören kommit upp till en viss höjd, känner avfuktaren av detta och stängs av automatiskt för att förhindra översvämning.

När du tömt vattenbehållaren och den ska sättas tillbaka i avfuktaren gör du enklast så här:

TÖMNING AV VATTENBEHÅLLARE

1. När vattenbehållaren är full dras den försiktigt ut bakåt och töms i avloppet.
2. Skjut in vattenbehållaren tills den nuddar flottören.
3. Lyft undertill i vattenbehållarens framkant så att hela vattenbehållaren lutar något.
4. Skjut in vattenbehållaren den sista biten. Flottören bör nu ha hamnat i vattenbehållaren, istället för att bli fastklämd bakom den.

OBS!

Det är viktigt att flottören hänger fritt, eftersom dess syfte är att känna av vattennivån i tanken och försäkra att avfuktaren stängs av när nivån är hög. En felaktigt placerad flottör kan medföra att vattenbehållaren svämmar över.

AVLEDA VATTNET TILL AVLOPP

1. Koppla bort avfuktaren från eluttaget och ta bort vattenbehållaren för att komma åt dropptrågets gänga.
2. Fäst slangens koppling till avfuktarens gänga och led slangen till avloppet. Se till att slangen inte kommer högre än själva dropptråget.
3. Sätt avfuktarens kontakt i eluttaget.
4. Utan slang direkt över avlopp:
5. Ställ avfuktaren direkt över avloppet så att det kondenserade vattnet kan droppa genom hålet i avfuktarens botten och vidare ner i avloppet.

AUTOMATISK AVSTÄNGNING

När vattenbehållaren är full stängs avfuktaren av automatiskt, varvid den signalerar att vattenbehållaren måste tömmas innan du kan använda avfuktaren igen. Se funktionsbeskrivningen.

1. Koppla bort avfuktaren från eluttaget.
2. Töm vattenbehållaren.
3. Sätt tillbaka den tömda vattenbehållaren och se till att flottören hänger fritt. Se avsnittet Flottören.
4. Anslut avfuktaren till eluttaget. Avfuktaren återstartar i samma läge som den kopplade ur.

LUFTFILTER

Luftfiltret på avfuktarens baksida ser till att kylslingorna hålls fria från damm. Det är viktigt att filtret är rent så att luften kan flöda fritt genom avfuktaren. Filtret bör därför bytas vid behov.

Avfuktaren är utrustad med ett SMF-filter som förbättrar kapaciteten hos avfuktaren samtidigt som det ytterligare renar luften. Se instruktion för byte av luftfilter. Vi rekommenderar minst ett filterbyte per år. För att följa garantiprogrammet registrera din avfuktare på warranty-woods.com

AUTOMATISK AVFROSTNING

Wood's avfuktare är utrustade med styrsystem som ser till att kylslingorna avfrostar vid behov. Styrsystemet stänger av kompressorn, vilket gör att kylningen av slangorna upphör. Fläkten fortsätter att dra den rumstempererade luften genom avfuktaren och på så sätt smälter isen och vattnet rinner ner i behållaren. Notera att detta styrsystem gör att avfuktaren fungerar vid så låg temperatur som +2°C

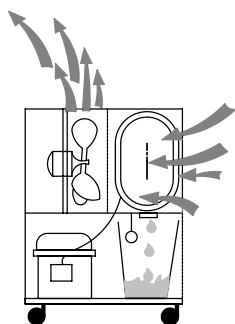
FLÄKT

Fläkten ser till att luft strömmar genom avfuktaren. Fuktig luft sugas in från baksidan och går via förångaren och kondensorn för att sedan komma ut torr på avfuktarens ovansida.

RENGÖRING OCH UNDERHÅLL

Wood's avfuktare kräver rengöring och filterbyte för att bibehålla sin höga avfuktningskapacitet.

- Luftutsläppet kan dammsugas eller rengöras med en borste. Iakttag försiktighet så att lamellerna inte skadas.
- Kylslingorna rengörs bäst med en trasa och varmt vatten. Iakttag försiktighet
- Fläktmotorn är permanent smord och kräver inget underhåll.

**OBS!**

Koppla bort nätsladden från eluttaget innan rengöring.

TIPS

- För maximal avfuktningskapacitet i ett rum rekommenderas att tilluften från utsidan och intilliggande rum minimeras – stäng dörrar och ventiler.
- Placera avfuktaren om möjligt mitt i rummet.
- Höj temperaturen i rummet för snabbare avfuktning. (Varm luft kan bära mer vatten).
- Använd en frostvakt om temperaturen faller under +2°C
- Avfuktaren ger mer vatten under sommaren och hösten eftersom utomhusluften är varm och fuktig. (Den absoluta luftfuktigheten är normalt högre).

Rekommenderade gränser för användning:

Temp. SW +2°C to +35°C

Relativ fuktighet: 30% to 90%

Rekommenderad fuktnivå c.a. 50% RH

VIKTIGT!

Wood's avfuktaren måste anslutas till ett jordat eluttag. Spänningen bör vara 220V-240V 50Hz

OM AVFUKTAREN BEHÖVER SERVICE

Om avfuktaren behöver service ska du i första hand kontakta inköpsstället. För alla garantikrav krävs ett inköpsbevis.

OBS!

Få 10 års garanti!

Registrera dig på warranty-woods.com

Byt SMF-filtret minst en gång per år. Besök woods.se för mer information.

GARANTIER

2 års garanti mot tillverkningsfel. Notera att garantin endast är giltig vid uppvisande av inköpskvitto.

GARANTI**FÖR ATT FÅ FÖRLÄNGD GARANTI, FRÅN 2 TILL 10 ÅR, VÄNLIGEN FÖLJ DESSA STEG.**

1. Registrera din Wood's avfuktare efter ditt köp på warranty-woods.com
2. Byt ut SMF filtret i din avfuktare regelbundet, minst 1 gång per år. Du får påminnelse om filterbyte på e-mail och sms när det är dags att byta filter. Om du vill skicka vi ut en påminnelse på SMS och eller e-mail när det är dags att byta filter. Detta väljer du vid registreringen på warranty-woods.com
Påminnelsen är givetvis kostnadsfri.

Nya Wood's filter köper du hos din lokala återförsäljare. Eller när du är inloggad på ditt registrerade konto. Besök woods.se för att hitta din närmaste Wood's återförsäljare.

OBS!

Du förbinder dig inte till något köp av filter när du registrerar din avfuktare på warranty-woods.com

SPARA DINA KVITTON FÖR BÅDE AVFUKTARE OCH UTBYTESFILTER.

De måste du kunna uppvisa vid eventuella garantianspråk!





BETJENINGSVEJLEDNING

Brændbart materiale. Dette apparat indeholder R290/propan, som er et brændbart kølemiddel.



Se betjeningsvejledningen.



Læs den tekniske vejledning.



Læs betjeningsvejledningen.

SIKKERHEDSOPLYSNINGER

Læs de medfølgende instruktioner omhyggeligt, inden apparatet installeres og tages i brug. Producenten er ikke ansvarlig, hvis forkert installation og brug forårsager person- og tingskade. Opbevar altid vejledningen sammen med apparatet til fremtidig reference.

BØRNS OG UDSATTE PERSONERS SIKKERHED

ADVARSEL

Risiko for personskade eller permanent funktionsnedsættelse.

Dette apparat kan anvendes af børn i alderen 8 år og derover samt personer med nedsatte fysiske, sensoriske eller mentale evner eller manglende erfaring og viden, hvis de superviseres eller har fået instruktion i at bruge apparatet på en sikker måde og forstår, hvilken fare det indebærer. Lad ikke børn lege med apparatet.

Børn under 3 år skal holdes væk fra apparatet, medmindre de hele tiden overvåges.

Al emballage skal holdes væk fra børn. Rengøring og brugervedligeholdelse må ikke foretages af børn uden opsyn.

GENERELLE SIKKERHEDSFORSKRIFTER

Dette apparat er beregnet til brug i husholdninger og til lignende anvendelser, eksempelvis kældre og krybegange samt personalekøkkener i butikker, på kontorer og i andre arbejdsmiljøer. Mærkepladen er placeret bag affugterens vandbeholder. Ventilationsåbningerne må ikke blokeres.

Der må ikke anvendes mekaniske anordninger eller andre midler til at fremskynde afrimningsprocessen, bortset fra dem, producenten anbefaler. Apparatet må ikke opbevares i et lokale, hvor der løbende anvendes antændingskilder

(åben ild, gasapparater, elektriske varmeapparater mv.). Må ikke punkteres eller brændes. Vær opmærksom på, at kølemidler ikke nødvendigvis kan lugtes. Brug ikke vand eller damp til at rengøre apparatet. Rengør apparatet med en fugtig, blød klud. Brug kun neutrale rengøringsmidler. Brug ikke slibemidler, slibende rengøringssvampe, opløsningsmidler eller metalgenstande. Hvis strømkablet er beskadiget, skal det udskiftes af fabrikanten, et autoriseret servicecenter eller en tilsvarende kvalificeret person for at undgå fare.

SIKKERHEDSANVISNINGER

ADVARSEL

Dette apparat må kun installeres af en kvalificeret person.

Fjern alt emballagemateriale. Apparatet må ikke installeres eller anvendes, hvis det er beskadiget. Apparatet skal installeres, betjenes og opbevares i et lokale med et gulvareal, der er større end 4 m². Følg nøje installationsvejledningen, der følger med apparatet. Vær altid forsigtig, når du flytter apparatet, da det er tungt. Brug altid sikkerhedshandsker.

Sørg for, at luften kan cirkulere omkring apparatet. Vent mindst 4 timer, før apparatet sluttes til stikkontakten. Dette er for at give olien mulighed for at flyde tilbage i kompressoren. Apparatet må ikke installeres tæt på radiatorer eller andre varmekilder. Apparatet må ikke installeres, hvor der er direkte sollys.

ELEKTRISK TILSLUTNING

ADVARSEL

Risiko for brand og elektrisk stød.

Apparatet skal tilsluttes til en jordet stikkontakt. Sørg for, at strømplysningerne på mærkepladen er i overensstemmelse med strømforsyningen. Hvis ikke, skal du kontakte en elektriker. Brug altid en korrekt installeret og stødsikker stikkontakt. Brug ikke adaptere til flere stik og forlænger kabler. Sørg for ikke at beskadige de elektriske komponenter (f.eks. stik, kabel). Kontakt et autoriseret servicecenter eller en elektriker, hvis de elektriske komponenter skal ændres. Kablet skal forblive under stikkets niveau. Tilslut først stikket til stikkontakten som det sidste i forbindelse med installationen. Sørg for, at der er adgang til stikket efter installationen. Træk ikke i

strømkablet for at frakoble apparatet. Tag altid fat om selve stikket, når du frakobler strømkablet.

ANVENDELSE

ADVARSEL

Risiko for personskade, forbrændinger, elektrisk stød eller brand.

Du må ikke ændre specifikationen for dette apparat. Pas på ikke at beskadige kølemiddelkredsløbet. Det indeholder propan (R290), som er en naturgas med en høj grad af miljøvenlighed. Denne gas er brændbar. Hvis der opstår skader på kølemiddelkredsløbet, skal du sørge for, at der ikke er flammer og antændelseskilder i lokalet. Udluft lokalet. Placer ikke brændbare produkter eller genstande, der er gennemvædet med brændbare væsker, i nærheden af eller på apparatet.

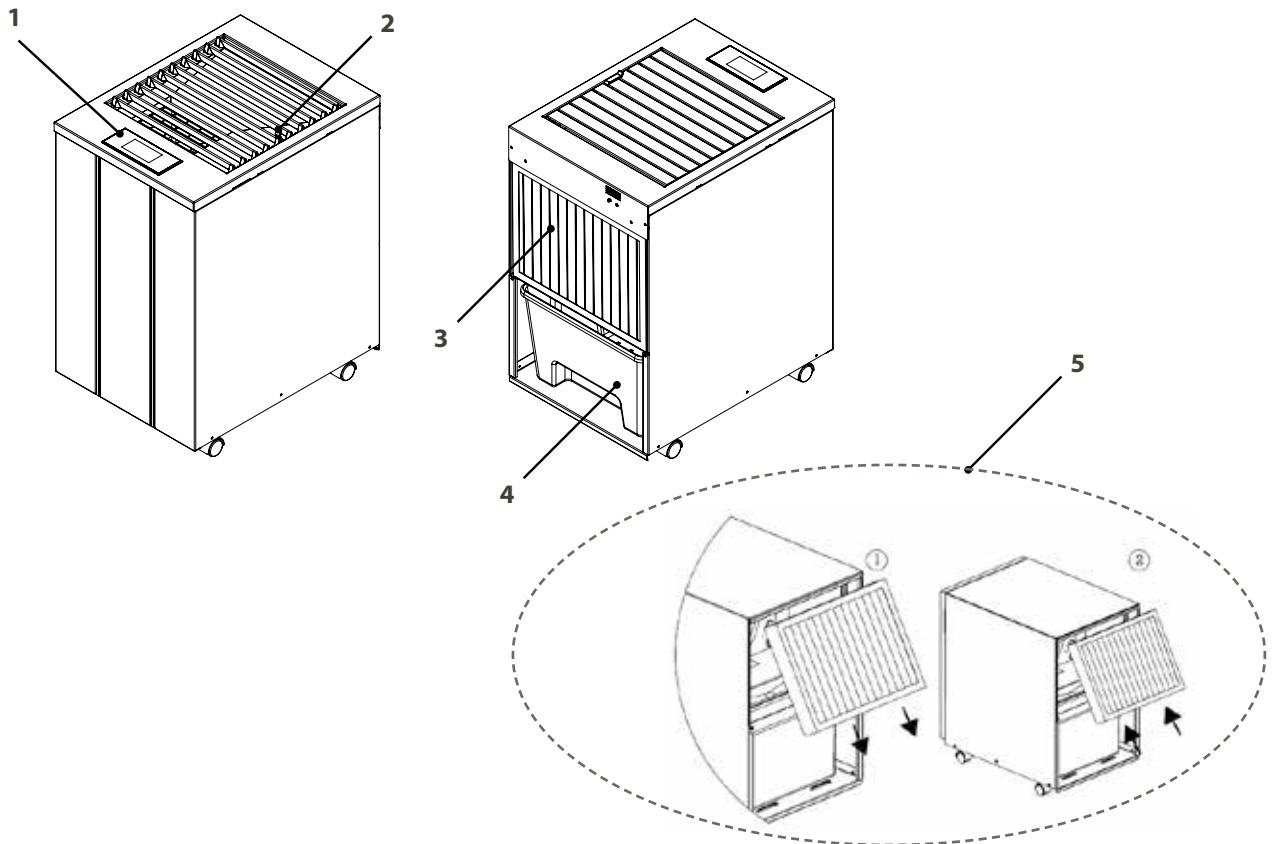
BORTSKAFFELSE

ADVARSEL

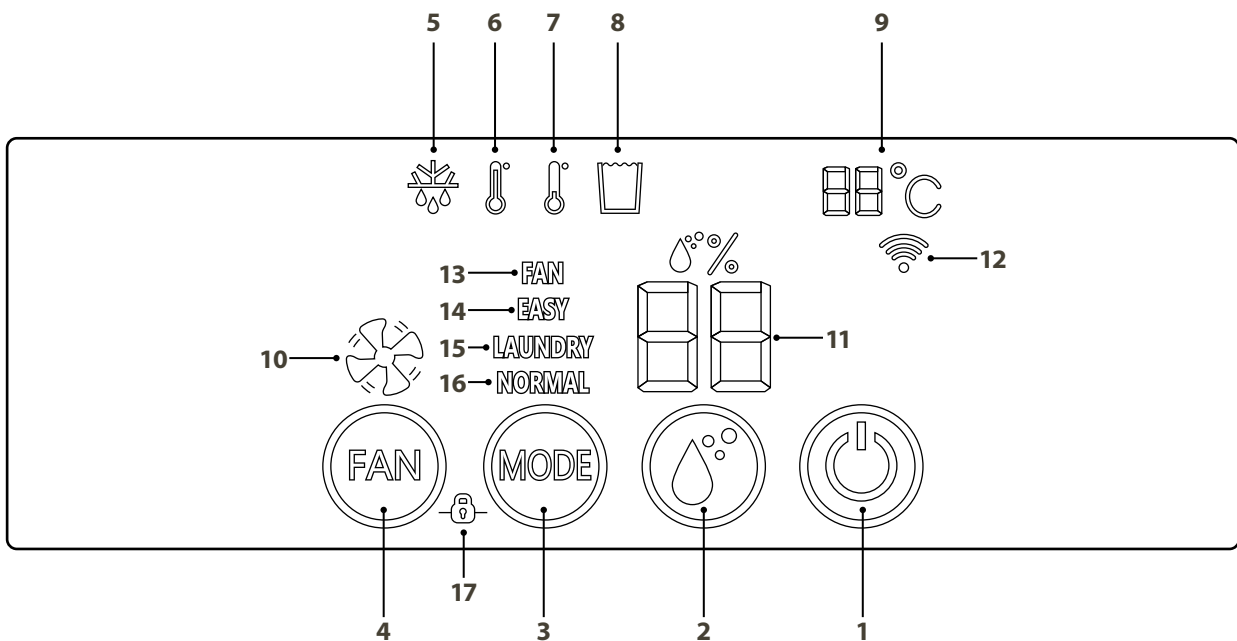
Risiko for personskade.

Træk apparatets stik ud af stikkontakten. Fjern strømkablet, og kassér det. Kølemiddelkredsløbet i dette apparat er ozonvenligt. Kontakt kommunen for at få oplysninger om korrekt bortskaffelse af produktet. Den del af køleenheden, der er i nærheden af varmeveksleren, må ikke beskadiges.

A.



B.



PRODUKTBESKRIVELSE

A.

1. Betjeningspanel
2. Anordning til åbning/lukning/
retningsbestemmelse af luftstrømmen
3. Luftfilter
4. Vandbeholder
5. Udskiftning af luftfilteret"

B.

BETJENINGSPANEL – FUNKTIONSBESKRIVELSE

Affugterne i LD-serien er udstyret med et intuitivt betjeningspanel, der sikrer enkel og nem betjening. Bemærk, at betjeningspanelet går i strømsparetilstand 20 sekunder efter frakobling af strømforsyningen eller sidste tryk på en knap. Du aktiverer panelet igen ved at berøre det område, hvor funktionsknapperne sidder. Alle knaptryk bekræftes med et bip.

FUNKTIONSKNAPPER

1. TIL/FRA – tænder og slukker for affugteren. Når affugteren er slukket, er strømforbruget 0,5 W.
2. Indstilling af ønsket luftfugtighed – kun aktiv i programtilstandene "Normal" og "Fan". Den ønskede luftfugtighed kan indstilles i intervallet 35-75 % i trin a 1 procentpoint. Først vises den indstillede værdi konstant, så blinker værdien, og derefter vises den faktiske værdi.
3. Valg af tilstand – valg af driftsprogram, se punkt 13-16 nedenfor.
4. Blæserhastighed – i tilstandene "Normal" og "Fan" kan blæseren indstilles på lav eller høj hastighed. Skift mellem de to hastigheder sker med nogle sekunders forsinkelse.

ALARMER/INFORMATION

5. Afrimning – kølekredsløbet afrimes efter behov automatisk. Det sker ved, at kompressoren slukker, så kun blæseren kører. Symbolet slukker, når affugtningsprocessen genstartes.
6. For høj omgivelsestemperatur – hvis omgivelsestemperaturen overstiger 35 °C, stopper affugtningsprocessen. Den genoptages automatisk, når omgivelsestemperaturen falder til under 35 °C. Symbolet lyser, så længe temperaturen er 35 °C eller derover.
7. For lav omgivelsestemperatur – hvis omgivelsestemperaturen falder til under 2 °C, stopper affugtningsprocessen. Den genoptages automatisk, når omgivelsestemperaturen stiger til over 2 °C. Symbolet lyser, så længe temperaturen er 2 °C eller derunder.
8. Vandbeholder fuld – når vandbeholderen er fuld, lyder et akustisk signal i 20 sekunder, og symbolet lyser. Når vandbeholderen er tømt og monteret igen, genoptages det indstillede driftsprogram automatisk. Sørg for, at flyderen hænger frit i beholderen.
9. Omgivelsestemperatur – viser den registrerede omgivelsestemperatur.
10. Blæserhastighed – blæser og fartstriber angiver høj hastighed, og blæser alene angiver lav hastighed.
11. Relativ luftfugtighed – viser den aktuelle værdi og den indstillede målværdi. Sidstnævnte vises ved indstilling af målværdien.
12. Wi-fi – angiver, om der er forbindelse til et trådløst netværk. Gælder kun modeller, der er udstyret med denne funktion.

DRIFTSTILSTANDE

13. Blæsertilstand (FAN) – bruges, når der ønskes en kontinuerlig luftcirkulation. Blæserhastighed og målværdi for luftfugtighed kan indstilles. Når den indstillede målværdi nås, slukker kompressoren, mens blæseren kører videre. Kompressoren genstarter, hvis luftfugtigheden stiger.
14. Komforttilstand (EASY) – affugteren stræber efter at opnå en relativ luftfugtighed på 50 % med blæseren på lav hastighed. Når målværdien nås, slukker kompressoren og blæseren. De genstarter, hvis luftfugtigheden stiger til over 50 %.
15. Vasketøjstørringstilstand (LAUNDRY) – affugtningsprocessen kører med høj blæserhastighed, indtil affugteren slukkes manuelt, eller der skiftes tilstand.
16. Normal tilstand (NORMAL) – bruges til manuelt at indstille målværdien for luftfugtighed og blæserhastighed. Når den indstillede målværdi nås, slukker kompressoren og blæseren. De genstarter, hvis luftfugtigheden stiger til over målværdien.
17. Låsefunktion – bruges til at forhindre utilsigtet ændring af indstillingerne. Låsefunktionen aktiveres ved at holde knapperne FAN og MODE inde samtidig i 3 sekunder. Låsefunktionen deaktiveres igen på samme måde.

TEKNISKE DATA	LD40	LD44	LD48PRO+
Maks. arbejdsareal	100 m ²	140 m ²	180 m ²
Luftstrøm trin 1	200 m ³ /t	160 m ³ /t	160 m ³ /t
Luftstrøm trin 2	350 m ³ /t	300 m ³ /t	300 m ³ /t
Affugtning ved 20 °C og 70 % RH	7,5 l/24 t	11 l/24 t	16 l/24 t
Affugtning ved 30 °C og 80 % RH	13 l/24 t	19 l/24 t	31 l/24 t
Effekt ved 20 °C og 70 % RH	180 W	285 W	450 W
Energiforbrug ved 20 °C og 70 % RH	4,3 kWh/24 t	8 kWh/24 t	9,1 kWh/24 t
Beholdervolumen	11 l	11 l	11 l
Kølemiddel	R290	R290	R290
Kølemiddeludskiftning	99 g	115 g	130 g
Spænding	230 V	230 V	230 V
Frekvens	50 Hz	50 Hz	50 Hz
Sikring	10 A	10 A	10 A
IP-klasse	X1	X1	X1
Mål (L x B x H)	460 x 345 x 575 mm	460 x 345 x 575 mm	460 x 345 x 575 mm

*Der kan ske tekniske ændringer og forbedringer. Alle værdier er omtrentlige og kan variere afhængigt af ydre omstændigheder såsom temperatur, ventilation og luftfugtighed.

PROBLEM

AFHJÆLPNING

Affugteren starter ikke.	<ul style="list-style-type: none"> Sørg for, at affugteren er sluttet til stikkontakten, og at sikringen ikke er sprunget. Hvis symbolet lyser, skal du kontrollere, at vandbeholderen er tom og korrekt placeret i affugteren. Sørg for, at flyderen hænger frit. Kontrollér, at værdien for luftfugtighed vises på apparatets betjeningspanel, ved at "vække" panelet. Affugteren skal starte inden for 5 minutter, hvis den aktuelle værdi er højere end den indstillede værdi. Tag stikket ud af stikkontakten, vent 10 sekunder, og tilslut det igen.
Affugteren starter ikke.	<ul style="list-style-type: none"> Sørg for, at blæserhjulet kører. Sørg for, at luften kan strømme frit gennem affugteren. Luftudgangen og luftfiltrene skal være rene, og affugteren skal være placeret mindst 20-30 cm fra væggen. Lyt efter, om kompressoren kører, men vær opmærksom på, at affugteren kan være i gang med en afrimningscyklus, hvilket betyder, at kompressoren stopper midlertidigt. Begynd med at vente i ca. 30 minutter. Kontrollér, at der ikke dannes et tykt lag is på kølespiralerne/-lamellerne bag filteret.
Højt støjniveau/raslen	<ul style="list-style-type: none"> Øg afstanden mellem affugteren og de omkringliggende overflader. Hvis kølespiralerne er i kontakt med hinanden, kan det forårsage vibrationer. Frakobl affugteren fra stikkontakten, og adskil spiralerne.
Der opsamles intet kondensvand.	<ul style="list-style-type: none"> Kontrollér, at der ikke har samlet sig snavs eller lignende i drypbakken under kølespiralerne, og rengør den efter behov. Kontrollér, at temperaturen er over 2 °C eller under 35 °C.
Affugteren slukker ikke, når vandbeholderen er fuld.	<ul style="list-style-type: none"> Det er vigtigt, at flyderen hænger frit i vandbeholderen. Hvis det ikke er tilfældet, er den muligvis ikke i stand til at registrere vandstanden og sørge for, at affugteren stopper.
Fejlkode E2	<ul style="list-style-type: none"> Hvis E2 vises på displayet, er fugtighedssensoren muligvis defekt. Prøv at tage stikket ud af stikkontakten, vente 10 sekunder og tilslutte det igen. Hvis fejlkoden ikke forsvinder, skal du kontakte forhandleren.

Hvis du har et problem med affugteren, bedes du se fejlfindingsvejledningen. Hvis ingen af ovenstående handlinger løser problemet, skal du kontakte forhandleren for at få affugteren eftersat.

WOOD'S LAVER EN AF VERDENS FØRENDE AFFUGTERE

Wood's har i mange år været førende på markedet for affugtningsprodukter. Vores effektive affugtere har et lavt energiforbrug og er velegnede til brug i de mest krævende miljøer, hvor der er behov for affugtning selv ved lave temperaturer og fugtighedsniveauer.

Vores affugtere giver optimale resultater på steder, der bliver fugtige, såsom kældre, garager, sommerhuse, vaskerum, krybegange og indendørs poolområder. En yderligere fordel er, at de effektivt tørrer tøj og tekstiler uden slitage.

Mængden af fugt, som affugteren fjerner, afhænger af temperatur, fugtniveau og placering. Klimaet udenfor påvirker også affugterens ydeevne. I koldt vejr falder den relative luftfugtighed indendørs, hvilket reducerer mængden af fugt, affugteren absorberer fra luften. Affugteren er derfor egnet til brug i temperaturområdet fra +2 °C til +35 °C. Affugtere fra Wood's er sikre og konstrueret til mange års kontinuerlig brug.

FOR HØJ LUFTFUGTIGHED ER FARLIGT

Der opstår kondens, når vanddamp i luften kommer i kontakt med en kold overflade som f.eks. et loft, et vindue eller en væg. Når vanddampen afkøles, kondenserer den og bliver til vanddråber. Hvis luftfugtigheden er høj, kan luften blive beklumret, og der dannes skimmelsvamp, som beskadiger boligen og interiøret. Et fugtigt indeklima kan også gøre beboerne syge, blandt andet fordi støvmider trives godt i et fugtigt miljø. En affugter med høj ydeevne skaber et optimalt og sundt fugtighedsniveau. For at opnå den bedste mulige effekt skal døre og vinduer til de rum, der skal affugges, holdes lukkede. Affugteren fjerner dårlig lugt, tørrer træværk og fjerner fugt fra sportsudstyr til udendørs brug mv. En affugter kan bruges i kældre, vaskerum, garager, campingvogne, sommerhuse og både. Hvis affugteren bruges i kolde omgivelser, bør du kigge nærmere på de tips, du kan finde sidst i betjeningsvejledningen.

BEMÆRK!

Hvis affugteren placeres i et bruse- eller badeområde, bør den fastgøres. Det er obligatorisk at læse og overholde de lokale forskrifter vedrørende elektricitet i baderum, inden affugteren tages i brug.

BRUG AF EN AFFUGTER FRA WOOD'S

Hvis affugteren transporteres liggende, skal du lade den stå i oprejst position i 4 timer, før du tager den i brug. Det er meget vigtigt, at olien får lov til at flyde tilbage til kompressoren. I modsat fald kan affugteren tage alvorlig skade. Affugtere fra Wood's er lette at flytte rundt, da de er udstyret med hjul. Alt, hvad der kræves, er, at der er en stikkontakt med 220-240 V i nærheden. Vær dog opmærksom på følgende:

Affugteren må ikke placeres i nærheden af radiatorer eller andre varmekilder, og den må ikke udsættes for direkte sollys, da det reducerer ydeevnen.

- Du kan bruge en radiator eller varmeblæser til at holde temperaturen over +2 °C.
 - Affugteren skal placeres mindst 25 cm fra vægge og andre forhindringer for at sikre en optimal luftstrøm.
 - Det er bedst at placere affugteren så centralt i rummet/området som muligt.
1. Kontrollér, at vandbeholderen er placeret korrekt.
 2. Tilslut affugteren til en jordet stikkontakt.
 3. Vælg det ønskede affugtningsprogram eller fugtighedsniveau ved hjælp af betjeningspanelet. Se afsnittet Funktionsbeskrivelse.

BEMÆRK!

Når affugteren slukker, tager det 5 minutter, før den genstarter.

FLYDER

Flyderen består af en hvid plastcylinder ophængt i to tråde, der hænger fra to arme. Flyderen kan flyde på vandet, så når vandstanden stiger, løftes flyderen op. Når flyderen når en vis højde, registrerer affugteren dette og slukker automatisk for at undgå oversvømmelse. Når vandbeholderen er tømt, skal den sættes tilbage i apparatet på følgende måde:

TØMNING AF VANDBEHOLDER

1. Når vandbeholderen er fuld, skal du forsigtigt trække den ud mod dig selv og tømme vandet ud i afløbet.
2. Skub vandbeholderen ind, indtil den berører flyderen.
3. Løft underkanten af vandbeholderen, så beholderen får en let hældning.
4. Skub til slut vandbeholderen på plads. Flyderen bør nu være placeret i selve vandbeholderen og ikke være klemt inde bag den.

BEMÆRK!

Det er vigtigt, at flyderen hænger frit, fordi dens formål er at registrere vandstanden i beholderen og sikre, at affugteren slukker, når vandstanden er høj. Hvis flyderen er placeret forkert, kan det medføre, at vandbeholderen løber over.

AFLEDNING AF VAND TIL AFLØB

1. Frakobl affugteren fra stikkontakten, og fjern vandbeholderen, så du har adgang til gevindstudsens under drypbakken.
2. Montér slangekoblingen på gevindstudsens, og før slangen hen til afløbet. Sørg for, at slangen er placeret lavere end drypbakken.

3. Slut affugterens stik til stikkontakten.
4. Uden slange og direkte over afløbet: Placer affugteren direkte over afløbet, så kondensvandet kan dryppe igennem hullet i bunden af affugteren og ned i afløbet.

AUTOMATISK SLUK

Når vandbeholderen er fuld, slukker affugteren automatisk og signalerer, at vandbeholderen skal tømmes, før du kan bruge affugteren igen. Se funktionsbeskrivelsen.

1. Frakobl affugteren fra stikkontakten.
2. Tøm vandbeholderen.
3. Sæt den tomte vandbeholder tilbage på plads, og sørg for, at flyderen hænger frit. Se afsnittet Flyder.
4. Slut affugteren til stikkontakten. Affugteren starter i samme tilstand, som da den blev slukket.

LUFTFILTER

Luftfilteret på bagsiden af affugteren sikrer, at kølespiralerne holdes fri for støv. Det er vigtigt, at filteret er rent, så luften kan strømme frit igennem affugteren. Filteret skal derfor udskiftes efter behov.

Affugteren er udstyret med et SMF-filter, der øger affugterens kapacitet, samtidig med at det renser luften yderligere. Se anvisningerne i udskiftning af luftfilteret. Vi anbefaler, at filteret udskiftes mindst én gang om året. For at få glæde af garantiprogrammet skal du registrere din affugter på warranty-woods.com

AUTOMATISK AFRIMNING

Affugtere fra Wood's er udstyret med et styresystem, der sikrer, at kølespiralerne afrimes efter behov. Styresystemet slukker kompressoren, hvilket får kølingen af spiralerne til at ophøre. Blæseren fortsætter med at trække luft med stuetemperatur gennem affugteren, og dermed smelter isen, og vandet løber ned i vandbeholderen. Bemærk, at styresystemet gør det muligt for affugteren at køre ved temperaturer helt ned til +2 °C."

BLÆSER

Blæseren sikrer, at luften strømmer gennem affugteren. Fugtig luft suges ind bagfra, strømmer igennem fordampere og kondensatoren og kommer tør ud i toppen af affugteren.

RENGØRING OG VEDLIGEHOLDELSE

Affugtere fra Wood's kræver rengøring og udskiftning af filteret for at opretholde deres høje affugtningskapacitet.

- Luftudgangen kan støvsuges eller rengøres med en børste. Vær forsigtig, så du undgår at beskadige lamellerne.
- Kølespiralerne rengøres bedst med en klud og varmt vand. Vær forsigtig.
- Blæsemotoren er levetidssmurt og kræver ingen vedligeholdelse.

BEMÆRK!

Tag strømkablet ud af stikkontakten før rengøring.

TIPS

- For at opnå maksimal affugtning i rummet anbefales det, at lufttilførslen udefra og fra de tilstødende rum minimeres – luk døre og udluftningsventiler. Placer affugteren midt i rummet, hvis det er muligt.
- Øg temperaturen i rummet for at opnå hurtigere affugtning. (Varm luft kan rumme mere vanddamp). Brug en frostvagt, hvis temperaturen falder til under +2 °C.
- Affugteren trækker mere fugt ud af luften om sommeren og om efteråret, fordi luften udenfor er varm og fugtig. (Den absolutte fugtighed er normalt højere).
- Anbefalede grænseværdier ved brug:
 - Temp. LD +2 °C til +35 °C
 - Relativ luftfugtighed: 30 % til 90 %
 - Anbefalet fugtniveau ca. 50 % RH

HVIS AFFUGTEREN HAR BRUG FOR SERVICE

Hvis affugteren trænger til service, skal du først kontakte forhandleren. Købsbevis skal fremvises i forbindelse med alle garantikrav.

BEMÆRK!

Få 10 års garanti! Registrer dit produkt på warranty-woods.com
Udskift SMF-filteret mindst én gang om året. Besøg www.woods.se for at få flere oplysninger

GARANTIER

2 års garanti på fabrikationsfejl. Bemærk, at garantien kun er gyldig ved fremvisning af købsbevis.

VIGTIGT!

Affugtere fra Wood's skal sluttes til en jordet stikkontakt med en spænding på 220 V-240 V, 50 Hz.

GARANTI

FØLG NEDENSTÅENDE TRIN FOR AT FÅ EN UDVIDET GARANTI, DER I STEDET FOR 2 ÅR GÆLDER I 10 ÅR.

1. Registrer din affugter, efter at du har købt den, på warranty-woods.com
2. Udskift SMF-filteret i din affugter regelmæssigt og mindst én gang om året. Hvis du ønsker det, sender vi dig en påmindelse, når det er tid til at udskifte filteret. Det er naturligvis gratis at modtage en påmindelse. Du kan købe filtre hos din lokale butik eller forhandler. Gå ind på woods.se for at finde den nærmeste Wood's-forhandler.

BEMÆRK!

Du forpligter dig ikke til at købe filtre, når du registrerer din affugter på warranty-woods.com

GEM DINE KVITTERINGER!

De er nødvendige, hvis du ønsker at gøre et krav gældende i garantiperioden.





GEBRAUCHSANWEISUNG

Brennbares Material. Dieses Gerät enthält das brennbare Kältemittel Propan (R290).



Siehe Bedienungsanleitung.



Technisches Handbuch lesen



Bedienungsanleitung lesen.

SICHERHEITSHINWEISE

Lesen Sie vor der Installation und Nutzung des Geräts die Bedienungsanleitung. Bei Verletzungen oder Schäden aufgrund einer unsachgemäßen Installation übernimmt der Hersteller keine Haftung. Die Anleitung ist zusammen mit dem Gerät aufzubewahren, damit sie jederzeit zur Verfügung steht.

SCHUTZ VON KINDERN UND SCHUTZBEDÜRFTIGEN PERSONEN

WARNUNG

Verletzungsgefahr oder dauerhafte Schädigung.

Dieses Gerät kann von Kindern ab 8 Jahren und Personen mit eingeschränkten körperlichen, sensorischen oder geistigen Fähigkeiten oder mangelnden Erfahrungen und Kenntnissen benutzt werden, wenn sie in der sicheren Handhabung der Geräte unterwiesen wurden und die damit verbundenen Gefahren verstehen bzw. unter entsprechender Aufsicht stehen. Kinder nicht mit dem Gerät spielen lassen! Kinder unter 3 Jahren sind vom Gerät fernzuhalten, sofern sie nicht ständig beaufsichtigt werden. Sämtliches Verpackungsmaterial von Kindern fernhalten. Reinigung und Wartung dürfen nicht von unbeaufsichtigten Kindern durchgeführt werden.

ALLGEMEINE SICHERHEIT

Dieses Gerät ist für den Einsatz in Wohnbereichen und ähnlichen Umgebungen vorgesehen (z. B. Keller, Kriechkeller, Personalküchen in Geschäften, Büros und sonstige Arbeitsumfelder). Das Typenschild befindet sich hinter dem Wassertank. Lüftungsöffnungen nicht überdecken.

Als Abtauhilfen dürfen keine mechanischen oder sonstigen Geräte,

sondern ausschließlich die vom Hersteller empfohlenen Vorrichtungen verwendet werden. Das Gerät nicht in Räumen mit kontinuierlich betriebenen Zündquellen lagern (offene Flammen, laufende Gasgeräte, Elektroheizgeräte usw.). Das Gerät nicht durchstechen oder in Brand setzen. Kältemittel können geruchlos sein. Gerät nicht mit Wasserstrahl oder Dampf reinigen. Gerät mit einem feuchten, weichen Tuch reinigen. Nur neutrale Reinigungsmittel benutzen. Keine Scheuermittel, Scheuerschwämme, Lösungsmittel oder Metallgegenstände verwenden. Bei einer Beschädigung des Netzkabels muss der Austausch aus Sicherheitsgründen durch den Hersteller, durch ein offizielles Servicecenter oder durch Fachpersonal erfolgen.

SICHERHEITSHINWEISE

WARNUNG

Das Gerät sollte nur von einer entsprechend qualifizierten Person installiert werden.

Das gesamte Verpackungsmaterial entfernen. Ein beschädigtes Gerät darf weder installiert noch verwendet werden. Installation, Betrieb und Lagerung des Geräts sind nur in Räumen mit einer Mindestfläche von 4 m² zulässig. Die beiliegende Installationsanleitung ist strikt zu befolgen. Das Gerät ist schwer – Vorsicht beim Transport und beim Umstellen. Immer Schutzhandschuhe tragen.

Darauf achten, dass die Luft ungehindert um das Gerät zirkulieren kann. Vor dem Anschließen ans Netz mindestens 4 Stunden warten. In dieser Zeit kann das Öl zurück in den Kompressor fließen. Gerät nicht in der Nähe von Radiatoren oder anderen Wärmequellen aufstellen. Das Gerät nicht an einem Ort mit direkter Sonneneinstrahlung aufstellen.

ELEKTRISCHER ANSCHLUSS

WARNUNG

Brand- und Stromschlaggefahr.

Das Gerät muss an eine geerdete Steckdose angeschlossen werden. Darauf achten, dass die elektrischen Angaben auf dem Typenschild mit dem Netzanschluss übereinstimmen. Sollte dies nicht der Fall sein, ist eine Elektrofachkraft hinzuzuziehen. Der Anschluss muss an eine sachgerecht installierte, VDE-zugelassene Steckdose erfolgen. Mehrfachstecker und Verlängerungskabel

sind unzulässig. Darauf achten, dass die elektrischen Komponenten (z. B. Stecker, Netzkabel) nicht beschädigt werden. Falls ein elektrisches Bauteil ausgetauscht werden muss, ein autorisiertes Servicezentrum oder einen Elektriker beauftragen. Das Kabel muss unter der Steckerhöhe verbleiben. Der Stecker darf erst am Ende der Installation an die Steckdose angeschlossen werden. Der Stecker muss nach der Installation zugänglich sein. Zum Trennen der Stromversorgung nicht am Netzkabel ziehen. Beim Ausstecken des Netzkabels immer nur am Stecker ziehen.

BETRIEB

WARNUNG

Verletzungs-, Verbrennungs-, Stromschlag- und Brandgefahr.

Gerät nur innerhalb der angegebenen Spezifikationen betreiben und keine Veränderungen am Gerät vornehmen. Darauf achten, dass der Kältemittelkreislauf nicht beschädigt wird. Der Kreislauf enthält das umweltverträgliche Erdgas Propan (R290). Es ist brennbar. Sollte der Kältemittelkreislauf beschädigt werden, sofort sicherstellen, dass es im Raum weder offenes Feuer noch Zündquellen gibt. Den Raum lüften. Keine brennbaren Produkte oder Gegenstände, die mit brennbaren Produkten benetzt sind, auf das Gerät oder in dessen Nähe stellen.

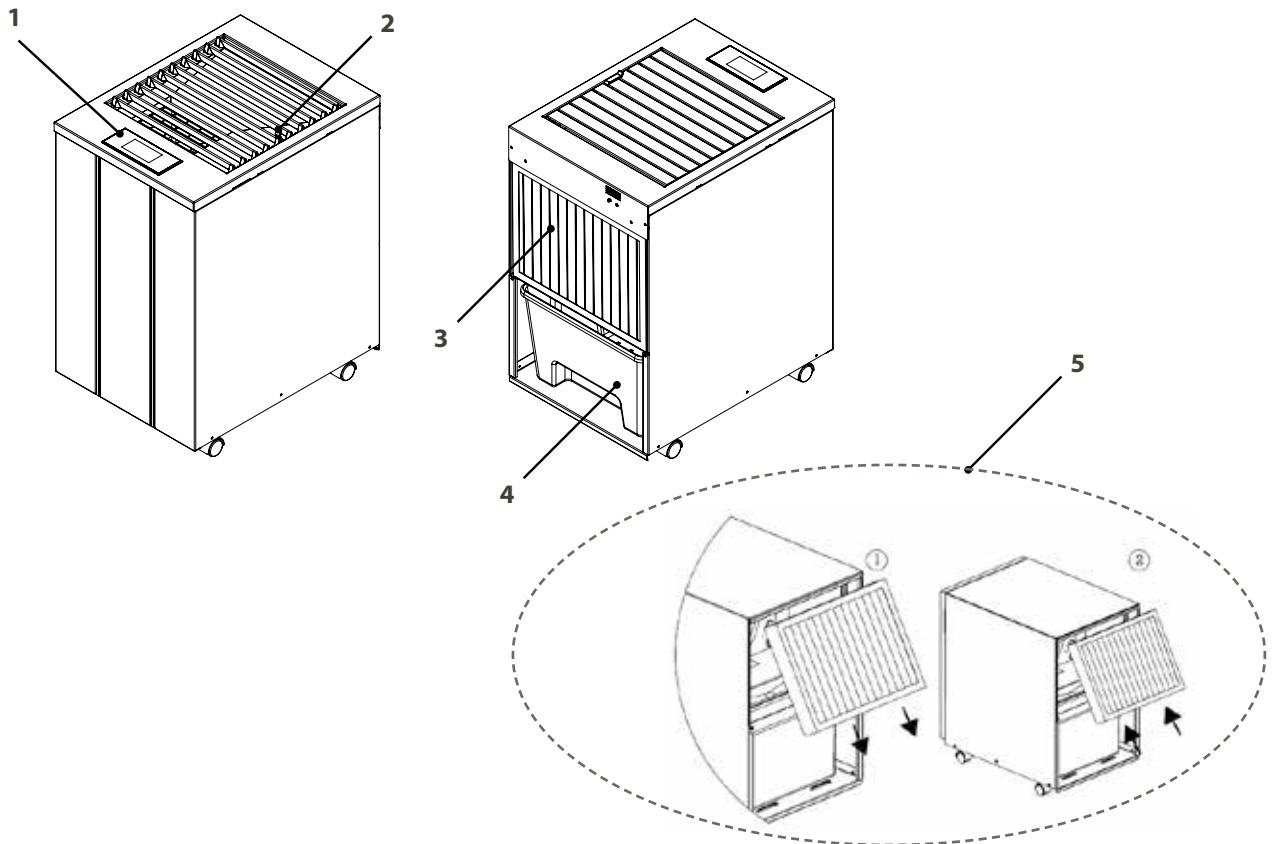
ENTSORGUNG

WARNUNG

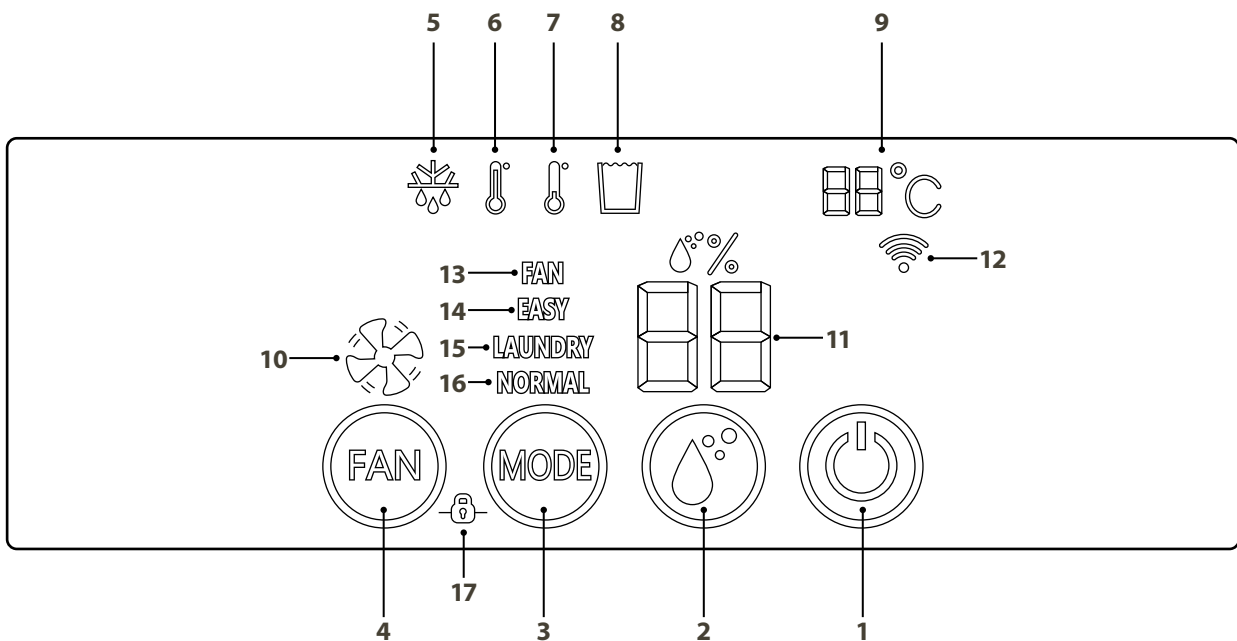
Verletzungsgefahr.

Den Netzstecker des Geräts abziehen. Netzkabel abschneiden und entsorgen. Der Kältemittelkreislauf des Geräts ist ozonverträglich. Hinweise zur korrekten Entsorgung des Geräts gibt die Behörde vor Ort. Der Teil der Kühleinheit unmittelbar neben dem Wärmetauscher darf nicht beschädigt werden.

A.



B.



PRODUKTBESCHREIBUNG

A.

1. Bedienfeld
2. Hebel zum Öffnen/Schließen/Lenken des Luftstroms
3. Luftfilter
4. Wassertank
5. Tausch des Luftfilters“

B.

BEDIENFELD - FUNKTIONSBESCHREIBUNG

Luftentfeuchter der LD-Serie sind für eine einfache und bequeme Bedienung mit einem intuitiv erfassbaren Bedienfeld ausgestattet. Bitte Beachten: Das Bedienfeld schaltet 20 Sekunden nach dem Anschluss an die Netzspannung oder nach der letzten Eingabe in den Ruhemodus und wird durch Berühren des Bereichs, in dem sich die Funktionstasten befinden, wieder aktiviert. Alle Tastenanschläge werden mit einem Piepton bestätigt.

FUNKTIONSTASTEN

1. EIN/AUS schaltet den Luftentfeuchter ein und aus. Im Aus-Modus beträgt der Energieverbrauch 0,5 W.
2. Einstellung der gewünschten Luftfeuchtigkeit: Nur in den Programmmodi "Normal" und "Fan" aktiv. Die gewünschte Luftfeuchtigkeit kann in Schritten von je einem Prozentpunkt auf 35 - 75 % eingestellt werden. Der eingestellte Wert wird erst dauerhaft und dann blinkend angezeigt, bevor der tatsächliche Wert wieder angezeigt wird.
3. Modus-Auswahl: Auswahl des Betriebsprogramms, siehe unter den nachfolgenden Punkten 13 bis 16.
4. Ventilatorgeschwindigkeit: Die Geschwindigkeit des Ventilators kann in den Modi "Normal" und "Fan" auf niedrige oder hohe Geschwindigkeit eingestellt werden. Das Umschalten zwischen den Geschwindigkeiten erfolgt mit einigen Sekunden Verzögerung.

ALARM / INFORMATIONEN

5. Abtauen: Bei Bedarf wird der Kühlkreislauf automatisch abgetaut. Dabei wird der Kompressor ausgeschaltet und nur der Ventilator ist in Betrieb. Das Symbol erlischt, wenn der Luftentfeuchtungsprozess neu gestartet wird.
6. Zu hohe Umgebungstemperatur: Bei einer Umgebungstemperatur von über 35 °C schaltet sich der Entfeuchtungsprozess ab und setzt automatisch wieder ein, wenn die Umgebungstemperatur unter 35 °C fällt. Das Symbol leuchtet, solange die Temperatur bei 35 °C oder höher liegt.
7. Niedrige Raumtemperatur: Fällt die Umgebungstemperatur unter 2 °C, schaltet sich der Entfeuchtungsprozess ab und setzt automatisch wieder ein, wenn die Umgebungstemperatur auf über 2 °C steigt. Das Symbol leuchtet, solange die Temperatur bei 2 °C oder darunter liegt.
8. Kondenswassertank ist voll: Ist der Tank voll, wird für 20 Sekunden ein akustisches Signal aktiviert und das Symbol leuchtet. Nach dem Leeren und Wiedereinsetzen des Wassertanks wird das Betriebsprogramm automatisch zurückgesetzt. Sicherstellen, dass der Schwimmer frei im Tank hängt.
9. Raumtemperatur: Die erkannte Umgebungstemperatur wird angezeigt.
10. Ventilatorgeschwindigkeit: Ventilator und Striche zeigen eine hohe Geschwindigkeit an und der Ventilator allein zeigt eine niedrige Geschwindigkeit an.
11. Relative Luftfeuchtigkeit: Zeigt den aktuellen Wert und den gewünschten Zielwert an. Letzterer gemäß Zielwerteinstellung.
12. WiFi: Zeigt an, wenn das WLAN verbunden ist. Gilt nur für Modelle, die mit dieser Funktion ausgestattet sind.

BETRIEBSMODI

13. Ventilator-Modus (FAN): Wird verwendet, wenn eine kontinuierliche Luftzirkulation gewünscht ist. Die Ventilatorgeschwindigkeit und der Zielwert für die Feuchtigkeit können eingestellt werden. Ist der eingestellte Zielwert erreicht, wird nur der Kompressor abgeschaltet, um bei steigender Luftfeuchtigkeit wieder neu zu starten.
14. Komfort-Modus (EASY): Der Luftentfeuchter strebt 50 % relative Luftfeuchtigkeit an. Der Ventilator ist auf niedrige Geschwindigkeit eingestellt. Ist der Zielwert erreicht, schalten sich Kompressor und Ventilator ab. Sie starten erneut, wenn die Luftfeuchtigkeit auf über 50 % steigt.
15. Wäschetrocknungsmodus (LAUNDRY): Der Entfeuchtungsprozess ist in Betrieb. Der Ventilator läuft auf hoher Geschwindigkeit, bis er manuell ausgeschaltet wird oder bis zum Modus-Wechsel.
16. Normalmodus (NORMAL): Wird verwendet, um den Zielwert für Feuchtigkeit und Ventilatorgeschwindigkeit manuell einzustellen. Ist der eingestellte Zielwert erreicht, schalten sich Kompressor und Ventilator ab. Sie starten erneut, wenn die Luftfeuchtigkeit wieder über den Zielwert steigt.
17. Sperrfunktion: Wird verwendet, um zu verhindern, dass Einstellungen unbeabsichtigt geändert werden. Die Sperrfunktion wird aktiviert, indem die FAN-Taste und die MODE-Taste gleichzeitig 3 Sekunden lang gedrückt gehalten werden. Das Deaktivieren der Sperrfunktion erfolgt in derselben Weise.

TECHNISCHE DATEN	LD40	LD44	LD48PRO+
Max. Einsatzbereich	100 m ²	140 m ²	180 m ²
Luftstrom Stufe 1	200 m ³ /h	160 m ³ /h	160 m ³ /h
Luftstrom Stufe 2	350 m ³ /h	300 m ³ /h	300 m ³ /h
Entfeuchtung bei 20 °C und 70 % RF	7,5 l/24h	11 l/24h	16 l/24h
Entfeuchtung bei 30 °C und 80 % RF	13 l/24h	19 l/24h	31 l/24h
Leistung bei 20 °C und 70 % RF	180 W	285 W	450 W
Energieverbrauch bei 20 °C und 70 % RF	4,3 kWh/24h	8 kWh/24h	9,1 kWh/24h
Fassungsvermögen Wassertank	11 l	11 l	11 l
Kältemittel	R290	R290	R290
Kältemitteltausch	99 g	115 g	130 g
Spannung	230 V	230 V	230 V
Frequenz	50 Hz	50 Hz	50 Hz
Sicherung	10 A	10 A	10 A
IP-Klasse	X1	X1	X1
Abmessungen (L x B x H)	460 x 345 x 575 mm	460 x 345 x 575 mm	460 x 345 x 575 mm

*Technische Änderungen und Verbesserungen vorbehalten. Alle Angaben sind Richtwerte. Die tatsächlichen Werte können aufgrund von äußeren Einflüssen wie Temperatur, Belüftung und Luftfeuchtigkeit abweichen.

PROBLEM

BEHEBUNG

Das Gerät schaltet sich nicht ein	<ul style="list-style-type: none"> • Darauf achten, dass der Luftentfeuchter mit der Steckdose verbunden und die Sicherung nicht durchgebrannt ist. • Das Symbol-Icon leuchtet: Darauf achten, dass der Wassertank leer ist und korrekt in den Luftentfeuchter eingesetzt wurde. Sicherstellen, dass der Schwimmer frei hängt. • Darauf achten, dass der Feuchtigkeitswert im Bedienfeld des Geräts angezeigt wird, indem man das Bedienfeld „aufweckt“. Der Luftentfeuchter muss innerhalb von 5 Minuten beginnen, wenn die Luftfeuchtigkeit über dem eingestellten Wert liegt. • Das Netzkabel ziehen, 10 Sekunden warten und wieder anschließen.
Das Gerät schaltet sich nicht ein	<ul style="list-style-type: none"> • Sicherstellen, dass sich das Lüfterrad dreht. • Sicherstellen, dass die Luft frei durch den Luftentfeuchter fließen kann. Luftemissionen und Luftfilter müssen sauber sein und der Luftentfeuchter muss sich mindestens 20-30 cm von der Wand entfernt befinden. • Hören, ob der Kompressor läuft, aber daran denken, dass sich der Luftentfeuchter möglicherweise in seinem Abtauzyklus befindet und damit den Kompressor vorübergehend außer Betrieb setzt. Vor dem Start ca. 30 Minuten warten. • Darauf achten, dass sich an den Kühlschlangen / Lamellen hinter dem Filter keine dicke Eisschicht bildet.
Hoher Geräuschpegel / Rasseln	<ul style="list-style-type: none"> • Luftentfeuchter weiter von Wänden und Gegenständen entfernt aufstellen. • Die Kühlschlangen können sich berühren und Vibrationen verursachen. Den Luftentfeuchter aus der Steckdose ausstecken und die Abstände zwischen den Kühlschlangen vergrößern.
Kein Kondenswasser aufgefangen	<ul style="list-style-type: none"> • Darauf achten, dass sich kein Schmutz usw. auf der Tropfschale unter den Kühlschlangen abgelagert hat. Bei Bedarf reinigen. • Darauf achten, dass die Temperatur über 2 °C oder unter 35 °C liegt.
Schaltet sich nicht ab, wenn der Wassertank voll ist	<ul style="list-style-type: none"> • Es ist wichtig, dass der Schwimmer frei im Wassertank hängt. Ist dies nicht der Fall, kann er den Wasserstand nicht erfassen und daher nicht sicherstellen, dass sich der Luftentfeuchter abschaltet.
Fehlercode E2	<ul style="list-style-type: none"> • Wenn E2 im Display angezeigt wird, ist der Feuchtigkeitssensor möglicherweise defekt. Folgendes versuchen: Das Netzkabel ziehen, 10 Sekunden warten und wieder einstecken. An den Händler wenden, wenn der Fehlercode weiterhin angezeigt wird.

Bei Problemen mit dem Luftentfeuchter die Hinweise in der Anleitung zur Fehlerbehebung lesen. Ist keine der oben genannten Maßnahmen erfolgreich, den Händler für einen Servicetermin kontaktieren.

WOOD'S GEHÖRT ZU DEN WELTWEIT FÜHRENDEN HERSTELLERN VON LUFTENTFEUCHTERN

Wood's ist seit vielen Jahren als Marktführer im Bereich der Luftentfeuchtung bekannt. Unsere effizienten Luftentfeuchter verbrauchen wenig Energie und sind für den Einsatz unter schwierigen klimatischen Bedingungen mit niedrigen Temperaturen und hoher Luftfeuchte geeignet.

Unsere Luftentfeuchter bieten optimale Ergebnisse in Räumen, die zur Feuchtigkeit neigen, wie Keller, Garagen, Sommerhäuser, Waschräume, Kriechkeller und Innenpoolbereiche. Ein zusätzlicher Vorteil unserer Luftentfeuchter besteht darin, dass sie Kleidung und Textilien effektiv trocknen, ohne sie zu verschleifen.

Die vom Gerät aufgenommene Feuchtigkeitsmenge hängt von Temperatur, Luftfeuchte und Standort ab. Das Wetter wirkt sich ebenfalls auf die Leistung des Luftentfeuchters aus. Bei kaltem Wetter sinkt die relative Luftfeuchtigkeit in Innenräumen. Dadurch verringert sich die Feuchtigkeit, die der Luftentfeuchter aus der Luft aufnimmt. Daher ist der Entfeuchter nur für den Temperaturbereich von +2 °C bis +35 °C geeignet. Die Luftentfeuchter von Wood's sind sicher und für einen Dauerbetrieb über viele Jahre ausgelegt.

ZU HOHE LUFTFEUCHTIGKEIT – EINE GEFAHR FÜR DIE GESUNDHEIT

Trifft der Wasserdampf in der Luft auf eine kalte Fläche wie Zimmerdecke, Fenster oder Wand, kommt es zur Kondensation. Beim Abkühlen kondensiert der Wasserdampf. Dabei bilden sich Wassertröpfchen. Bei hoher Luftfeuchtigkeit kann es zu abgestandener Luft kommen und es entsteht Schimmel, der Haus und Einrichtung beschädigt. Wenn sich in einer feuchten Umgebung z. B. Milben einnisten, kann dies bei Menschen, die sich dort aufhalten, Krankheiten verursachen. Ein Luftentfeuchter mit hoher Leistung sorgt für einen optimalen und gesunden Feuchtigkeitsgrad. Für eine bestmögliche Wirkung sollten Türen und Fenster der zu entfeuchtenden Räume geschlossen gehalten werden. Der Luftentfeuchter entfernt schlechte Gerüche, trocknet Holz, Outdoor-Sportgeräte usw. Ein Luftentfeuchter kann in Kellern, Waschräumen, Garagen, Wohnwagen, Sommerhäusern und in Booten verwendet werden. Wird der Luftentfeuchter in kälteren Umgebungen verwendet, sind die Hinweise am Ende der Gebrauchsanweisung genauer zu beachten.

HINWEIS!

Luftentfeuchter in Nassräumen (Badezimmer, Duschraum) müssen fixiert werden. Vor dem Einsatz des Geräts ist die Einhaltung der vor Ort geltenden Sicherheitsvorschriften zur Elektrik in Nassräumen zu überprüfen.

ANWENDUNG DES WOOD'S-LUFTENTFEUCHTERS

Nach horizontalem Transport muss der Luftentfeuchter vor Gebrauch 4 Stunden aufrecht stehen. Es ist sehr wichtig, dass das Öl zurück in den Kompressor fließt, da der Luftentfeuchter ansonsten schweren Schaden nehmen kann. Wenn sie mit Rädern ausgestattet sind, lassen sich die Luftentfeuchter von Wood's leicht bewegen. Man braucht nicht mehr als eine 220-240 V-Steckdose in der Nähe. Aber Folgendes ist zu beachten:

Den Luftentfeuchter nicht in der Nähe von Heizkörpern und anderen Wärmequellen aufstellen und auch nicht direktem Sonnenlicht aussetzen, da sonst die Leistung des Geräts beeinträchtigt wird.

- Bei Bedarf einen Heizkörper oder Heizlüfter verwenden, damit die Temperatur über +2 °C liegt.
- Um einen maximalen Luftstrom zu gewährleisten, sollte der Luftentfeuchter mindestens 25 cm von Wänden und anderen Hindernissen entfernt positioniert werden.
- Ideal ist es, den Luftentfeuchter so zentral wie möglich im Raum bzw. Bereich zu positionieren.

1. Darauf achten, dass der Wassertank korrekt positioniert ist.
2. Den Luftentfeuchter an eine geerdete Steckdose anschließen.
3. Das gewünschte Feuchtigkeitsprogramm oder den gewünschten Feuchtgrad über das Bedienfeld einstellen. Siehe den Abschnitt zur Funktionsbeschreibung.

HINWEIS!

Wenn der Luftentfeuchter abschaltet, startet er erst nach 5 Minuten wieder neu.

SCHWIMMER

Der Schwimmer besteht aus einem weißen Kunststoffzylinder, der an zwei Drähten in zwei Armen aufgehängt ist. Der Schwimmer schwimmt auf der Oberfläche. Steigt der Wasserstand, wird der Schwimmer angehoben. Erreicht der Schwimmer eine bestimmte Höhe, wird dies vom Luftentfeuchter erkannt. Er schaltet sich automatisch ab, um ein Überlaufen zu verhindern. Nach dem Leeren sollte der Wassertank auf folgende Art und Weise wieder in die richtige Position gebracht werden:

WASSERTANK LEEREN

1. Ist der Wassertank voll, wird er behutsam herausgezogen und in den Abfluss entleert.
2. Wassertank wieder einsetzen und schieben, bis er den Schwimmer berührt.
3. Die untere Kante des Wassertanks anheben, damit der Wassertank leicht geneigt ist.
4. Den Wassertank bis zum Ende einschieben. Der Schwimmer sollte sich nun im Wassertank befinden und nicht dahinter eingeklemmt sein.

HINWEIS!

Es ist wichtig, dass der Schwimmer frei hängt, denn sein Zweck besteht darin, den Wasserstand im Tank zu erkennen und sicherzustellen, dass der Luftentfeuchter bei hohem Wasserstand abschaltet. Ein falsch positionierter Schwimmer kann dazu führen, dass der Wassertank überläuft.

DAS WASSER IN DEN ABFLUSS FÜHREN

1. Den Luftentfeuchter von der Steckdose trennen, den Wassertank entfernen, damit der Gewindestutzen unter der Tropfschale zugänglich ist.
2. Die Schlauchkupplung am Gewindestutzen befestigen und den Schlauch zum Abfluss führen. Sicherstellen, dass der Schlauch niedriger positioniert ist als die Tropfschale.
3. Den Stecker des Luftentfeuchters in die Steckdose stecken.
4. Ohne Schlauch direkt in den Abfluss: Den Luftentfeuchter direkt auf den Abfluss stellen, damit das Kondenswasser durch die Öffnung im Boden des Luftentfeuchters in den Abfluss ablaufen kann.

AUTOMATISCHE ABSCHALTUNG

Ist der Wassertank voll, schaltet sich der Luftentfeuchter automatisch ab und signalisiert, dass der Wassertank geleert werden muss, bevor der Luftentfeuchter erneut verwendet werden kann. Siehe Funktionsbeschreibung.

1. Den Luftentfeuchter von der Steckdose trennen.
2. Den Wassertank leeren.
3. Den geleerten Wassertank wieder einsetzen und sicherstellen, dass der Schwimmer frei hängt (siehe Abschnitt Schwimmer).
4. Den Luftentfeuchter an die Steckdose anschließen. Der Luftentfeuchter wird im selben Modus wie beim Trennen neu gestartet.

LUFTFILTER

Der Luftfilter an der Rückseite des Entfeuchters gewährleistet, dass die Kühlschlangen staubfrei sind. Der Filter muss sauber sein, damit die Luft ungehindert durch das Gerät strömen kann. Der Filter sollte daher bei Bedarf ausgetauscht werden.

Der Luftentfeuchter ist mit einem SMF-Filter ausgestattet, der die Leistung des Luftentfeuchters verbessert, da er die Luft noch stärker reinigt. Siehe Anleitung zum Austausch des Luftfilters. Wir empfehlen mindestens einen Filtertausch pro Jahr. Für die Anmeldung zum Garantieprogramm bitte den Luftentfeuchter unter warranty-woods.com registrieren.

AUTOMATISCHES ABTAUEN

Die Luftentfeuchter von Wood's sind mit einer Steuerung ausgestattet, die dafür sorgt, dass die Kühlschlangen bei Bedarf abgetaut werden. Dazu schaltet die Steuerung den Kompressor aus, wodurch die Kühlung der Kühlschlangen deaktiviert wird. Da der Ventilator weiterhin raumwarme Luft in das Gerät saugt, schmilzt das Eis und das Wasser fließt in den Wassertank. Bitte beachten, dass der Luftentfeuchter durch diese Steuerung bei so niedrigen Temperaturen wie + 2 °C arbeiten kann.“

VENTILATOR

Der Ventilator sorgt dafür, dass Luft durch den Luftentfeuchter strömt. Feuchte Luft wird an der Rückseite durch den Verdampfer und Kondensator angesaugt und trocken auf der Oberseite des Luftentfeuchters abgegeben.

REINIGUNG UND PFLEGE

Die Entfeuchter von Wood's müssen gereinigt und ihr Filter muss getauscht werden, damit ihre hohe Entfeuchtungsleistung erhalten bleibt.

- Der Luftauslass kann mit dem Staubsauger oder mit einer Bürste gereinigt werden. Achten Sie darauf, dass die Lamellen nicht beschädigt werden.
- Die Kühlschlangen möglichst mit einem Tuch und warmem Wasser reinigen. Dabei behutsam vorgehen.
- Der Ventilatormotor ist dauergeschmiert und wartungsfrei.

HINWEIS!

Das Netzkabel vor der Reinigung aus der Steckdose ziehen.

TIPPS

- Eine maximale Entfeuchtungsleistung in einem Raum kann nur bei möglichst geringer Luftzufuhr von außen und aus angrenzenden Räumen erreicht werden (Türen und Ventile schließen). Falls möglich, den Luftentfeuchter in die Mitte des Raums stellen.
- Die Temperatur im Raum für eine schnellere Entfeuchtung erhöhen. (Warme Luft kann mehr Wasser aufnehmen.) Einen Frostwächter verwenden, wenn die Temperatur unter + 2 °C fällt.
- Der Luftentfeuchter entzieht im Sommer und Herbst mehr Wasser, weil die Außenluft warm und feucht ist. (Die absolute Luftfeuchtigkeit ist in der Regel höher.)
- Empfohlene Betriebsgrenzwerte:
 - Temp. LD +2 °C bis +35 °C
 - Relative Luftfeuchtigkeit: 30 bis 90 %
 - Empfohlener Feuchtigkeitsgehalt ca. 50 % RH

ZEIT FÜR SERVICE

Bei Servicebedarf zunächst an den Händler wenden. Bei allen Gewährleistungsansprüchen ist ein Kaufbeleg vorzulegen.

HINWEIS!

10 Jahre Garantiezeit sichern! Bei warranty-woods.com anmelden.
Den SMF-Filter mindestens einmal pro Jahr tauschen. Ausführliche Hinweise auf woods.se

GARANTIE

Die Garantiezeit für Herstellungsfehler beträgt 2 Jahre. Bitte beachten, dass die Garantie nur gegen Vorlage eines Kaufbelegs gilt.

WICHTIG!

Der Wood's-Luftentfeuchter ist an eine geerdete Steckdose mit einer Spannung von 220V-240V 50Hz anzuschließen.

GARANTIE**FÜR EINE ERWEITERTE GARANTIE VON 2 BIS 10 JAHREN SIND FOLGENDE SCHRITTE ERFORDERLICH.**

1. Den Luftentfeuchter nach dem Kauf auf warranty-woods.com registrieren.
2. Den SMF-Filter im Luftentfeuchter regelmäßig tauschen, d. h. mindestens einmal im Jahr. Auf Wunsch senden wir eine Erinnerung, wenn ein Filtertausch fällig ist. Die Erinnerung ist selbstverständlich kostenlos. Filter werden beim Händler vor Ort oder beim Vertriebspartner angeboten. Auf woods.se sind die nächstgelegenen Wood's-Vertriebspartner zu finden.

HINWEIS!

Durch die Registrierung des Luftentfeuchters auf warranty-woods.com besteht keine Verpflichtung zum Kauf von Filtern.

BELEGE SOLLTEN AUFBEWAHRT WERDEN!

Sie sind bei allen Garantieansprüchen während der Garantiezeit vorzulegen.



**ΟΔΗΓΙΕΣ ΧΡΗΣΗΣ**

Εύφλεκτο υλικό. Αυτή η συσκευή περιέχει R290/Προπάνιο, ένα εύφλεκτο ψυκτικό μέσο.



Ανατρέξτε στο εγχειρίδιο του χειριστή.



Διαβάστε το τεχνικό εγχειρίδιο



Διαβάστε το εγχειρίδιο του χειριστή.

ΠΛΗΡΟΦΟΡΙΕΣ ΓΙΑ ΤΗΝ ΑΣΦΑΛΕΙΑ

Πριν από την εγκατάσταση και τη χρήση της συσκευής, διαβάστε προσεκτικά τις παρεχόμενες οδηγίες. Ο κατασκευαστής δεν ευθύνεται σε περίπτωση πρόκλησης τραυματισμού και ζημιών λόγω εσφαλμένης εγκατάστασης και χρήσης. Να φυλάσσετε πάντα τις οδηγίες μαζί με τη συσκευή για μελλοντική αναφορά.

ΑΣΦΑΛΕΙΑ ΓΙΑ ΤΑ ΠΑΙΔΙΑ ΚΑΙ ΤΑ ΕΥΠΑΘΗ ΑΤΟΜΑ**ΠΡΟΕΙΔΟΠΟΙΗΣΗ**

Κίνδυνος τραυματισμού ή μόνιμης αναπηρίας.

Αυτή η συσκευή μπορεί να χρησιμοποιηθεί από παιδιά ηλικίας 8 ετών και άνω και άτομα με μειωμένη σωματική, αισθητηριακή ή διανοητική ικανότητα ή με έλλειψη εμπειρίας και γνώσης, αν βρίσκονται υπό την επίβλεψη τρίτων, αν έχουν λάβει οδηγίες σχετικά με τη χρήση της συσκευής με ασφαλή τρόπο και έχουν κατανοήσει τους κινδύνους που σχετίζονται με τη χρήση της. Μην αφήνετε τα παιδιά να παίζουν με τη συσκευή. Τα παιδιά ηλικίας κάτω των 3 ετών θα πρέπει να παραμένουν σε απόσταση, εκτός εάν εποπτεύονται συνεχώς. Κρατήστε όλες τις συσκευασίες μακριά από τα παιδιά. Ο καθαρισμός και η συντήρηση δεν θα πρέπει να γίνεται από παιδιά χωρίς επίβλεψη.

ΓΕΝΙΚΗ ΑΣΦΑΛΕΙΑ

Αυτή η συσκευή προορίζεται για χρήση σε οικιακές και παρόμοιες εφαρμογές, όπως: υπόγεια, στενούς χώρους σε κτίρια που δίνουν πρόσβαση σε άλλα σημεία του κτιρίου, κουζίνες προσωπικού σε καταστήματα, γραφεία και άλλα περιβάλλοντα εργασίας. Η πινακίδα των τεχνικών χαρακτηριστικών βρίσκεται στο πίσω μέρος του δοχείου νερού του

αφυγραντήρα. Διατηρήστε καθαρά τα ανοίγματα εξαερισμού και χωρίς παρεμπόδιση.

Μην χρησιμοποιείτε μηχανικές συσκευές ή άλλα μέσα για να επιταχύνετε τη διαδικασία απόψυξης, εκτός από αυτά που συνιστώνται από τον κατασκευαστή. Η συσκευή δεν πρέπει να αποθηκεύεται σε χώρο όπου λειτουργούν συνεχώς πηγές ανάφλεξης (ανοικτές φλόγες, συσκευή αερίου που βρίσκεται σε λειτουργία, ηλεκτρικός θερμαντήρας κ.λπ.). Μην τρυπήσετε και μην κάψετε τη συσκευή. Πρέπει να γνωρίζετε ότι τα ψυκτικά μέσα μπορεί να μην γίνουν αντιληπτά μέσω της οσμής. Μην χρησιμοποιείτε ψεκαστήρες νερού και ατμού για τον καθαρισμό της συσκευής. Καθαρίστε τη συσκευή με ένα υγρό μαλακό πανί. Χρησιμοποιείτε μόνο ουδέτερα απορρυπαντικά. Μην χρησιμοποιείτε διαβρωτικά προϊόντα, καθαριστικά σφουγγαράκια λείανσης, διαλύτες ή μεταλλικά αντικείμενα. Αν το καλώδιο τροφοδοσίας έχει φθαρεί, πρέπει να αντικατασταθεί από τον κατασκευαστή, το εξουσιοδοτημένο κέντρο σέρβις ή άτομα με κατάλληλη εξειδίκευση, προκειμένου να αποφευχθεί οποιοσδήποτε κίνδυνος.

ΟΔΗΓΙΕΣ ΑΣΦΑΛΕΙΑΣ**ΠΡΟΕΙΔΟΠΟΙΗΣΗ**

Η εγκατάσταση αυτής της συσκευής επιτρέπεται μόνο από ειδικευμένο άτομο.

Αφαιρέστε όλο το υλικό της συσκευασίας. Μην εγκαθιστάτε και μην χρησιμοποιείτε τυχόν κατεστραμμένες συσκευές. Η συσκευή πρέπει να εγκαθίσταται, να λειτουργεί και να φυλάσσεται σε χώρους με εμβαδόν δαπέδου μεγαλύτερο από 4 m². Τηρήστε αυστηρά τις οδηγίες εγκατάστασης που παρέχονται με τη συσκευή. Να είστε πάντα προσεκτικοί όταν μετακινείτε τη συσκευή επειδή είναι βαριά. Πάντα να φοράτε γάντια ασφαλείας.

Βεβαιωθείτε ότι ο αέρας μπορεί να κυκλοφορεί γύρω από τη συσκευή. Περιμένετε τουλάχιστον 4 ώρες πριν συνδέσετε τη συσκευή στην πρίζα. Αυτό πρέπει να τηρηθεί ώστε να επιστρέψει το λάδι στον συμπιεστή. Μην εγκαθιστάτε τη συσκευή κοντά σε θερμαντικά σώματα ή άλλες πηγές θερμότητας. Μην εγκαθιστάτε τη συσκευή σε σημείο άμεσα εκτεθειμένο στο ηλιακό φως.

ΗΛΕΚΤΡΙΚΗ ΣΥΝΔΕΣΗ**ΠΡΟΕΙΔΟΠΟΙΗΣΗ**

Κίνδυνος πυρκαγιάς και ηλεκτροπληξίας.

Η συσκευή πρέπει να συνδέεται σε γειωμένη πρίζα. Βεβαιωθείτε ότι οι ηλεκτρολογικές πληροφορίες στην πινακίδα των τεχνικών χαρακτηριστικών συμφωνούν με την τροφοδοσία ρεύματος. Αν όχι, επικοινωνήστε με ηλεκτρολόγο. Να χρησιμοποιείτε πάντα μια σωστά εγκατεστημένη αντικραδασμική πρίζα. Μην χρησιμοποιείτε πολύμπριζα και καλώδια επέκτασης. Φροντίστε να μην προκαλέσετε βλάβη στα ηλεκτρικά εξαρτήματα (π.χ. βύσμα, καλώδιο). Επικοινωνήστε με το εξουσιοδοτημένο κέντρο σέρβις ή έναν ηλεκτρολόγο για να αλλάξετε τα ηλεκτρικά εξαρτήματα. Το καλώδιο πρέπει να παραμένει κάτω από το επίπεδο του βύσματος. Συνδέστε το βύσμα τροφοδοσίας στην πρίζα τροφοδοσίας μόνο στο τέλος της διαδικασίας εγκατάστασης. Βεβαιωθείτε ότι το βύσμα είναι προσβάσιμο μετά την εγκατάσταση. Μην τραβάτε το καλώδιο τροφοδοσίας για να αποσυνδέσετε τη συσκευή. Να αποσυνδέετε πάντα το καλώδιο τροφοδοσίας μόνο από το βύσμα.

ΧΡΗΣΗ**ΠΡΟΕΙΔΟΠΟΙΗΣΗ**

Κίνδυνος τραυματισμού, εγκαυμάτων, ηλεκτροπληξίας ή πυρκαγιάς.

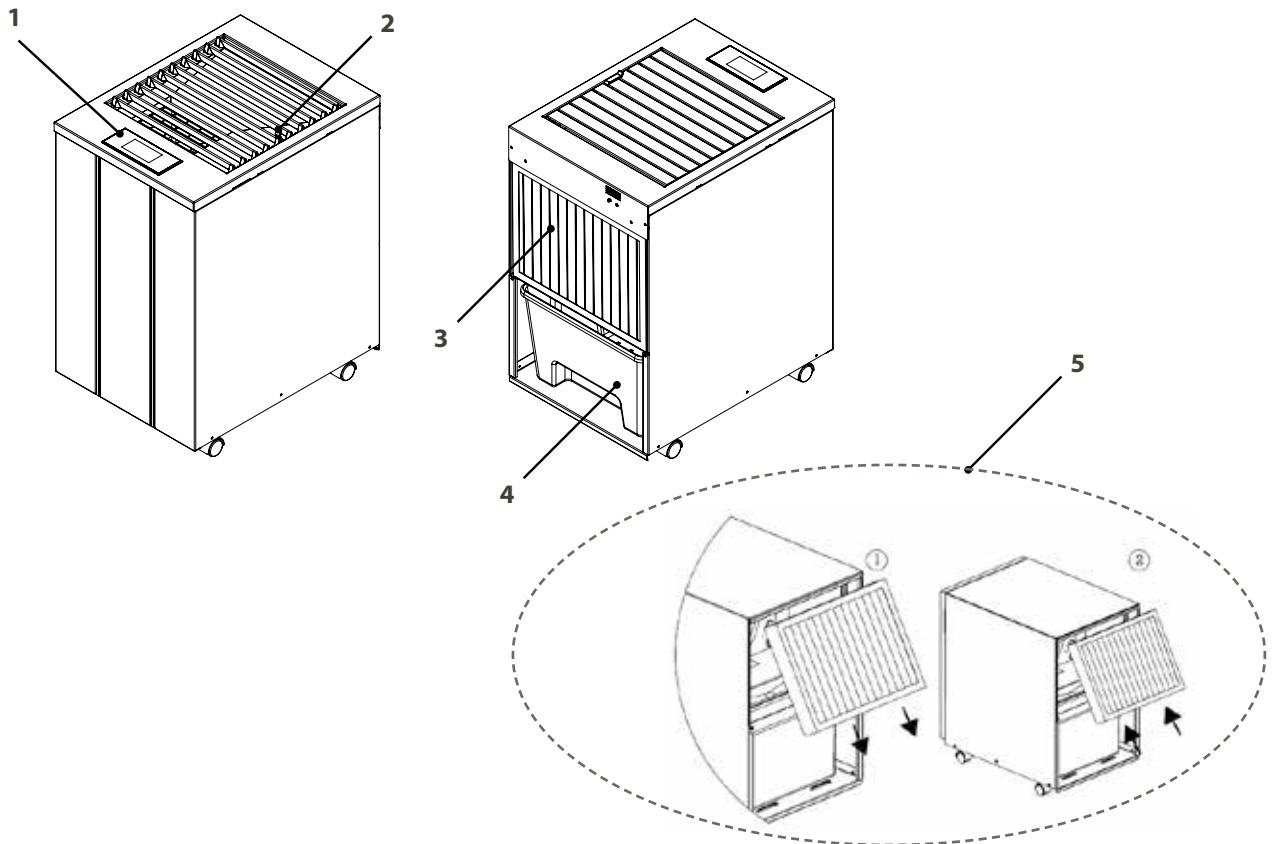
Μην αλλάζετε την προδιαγραφή αυτής της συσκευής. Προσέξτε να μην προκαλέσετε βλάβη στο κύκλωμα του ψυκτικού μέσου. Περιέχει προπάνιο (R290), ένα φυσικό αέριο με υψηλό επίπεδο περιβαλλοντικής συμβατότητας. Το αέριο αυτό είναι εύφλεκτο. Εάν προκληθεί ζημιά στο κύκλωμα του ψυκτικού μέσου, βεβαιωθείτε ότι δεν υπάρχουν φλόγες και άλλες πηγές ανάφλεξης στο χώρο. Αερίστε το χώρο. Μην βάζετε εύφλεκτα προϊόντα ή αντικείμενα που έχουν βραχεί με εύφλεκτα προϊόντα, κοντά ή πάνω στη συσκευή.

ΑΠΟΡΡΙΨΗ**ΠΡΟΕΙΔΟΠΟΙΗΣΗ**

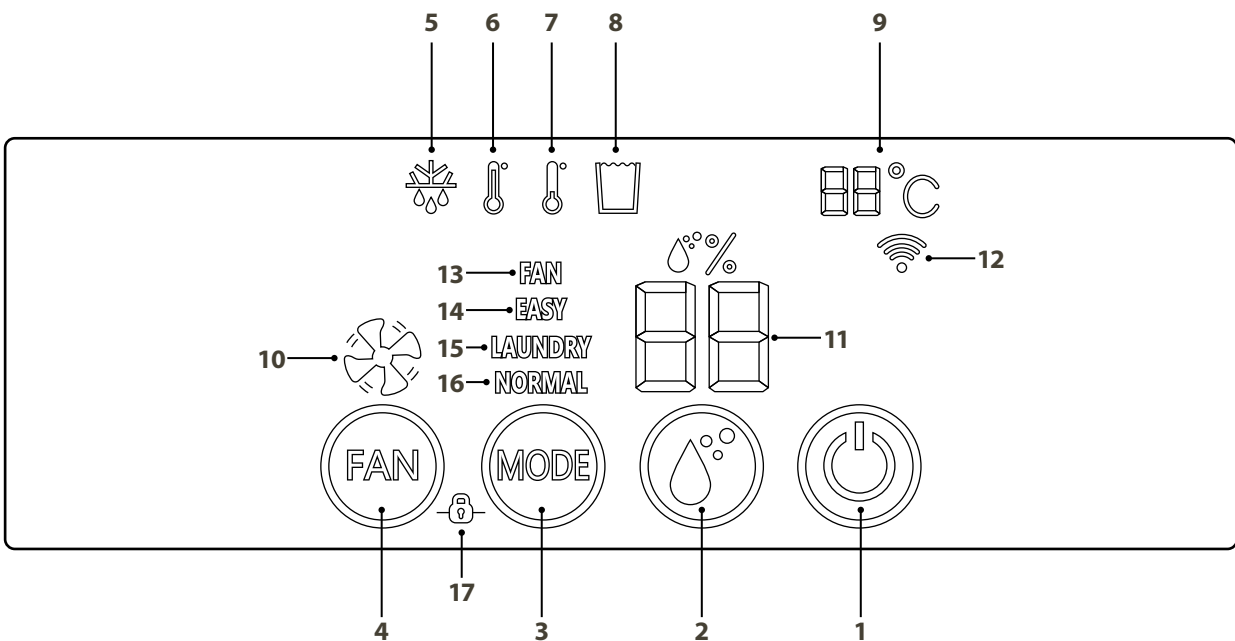
Κίνδυνος τραυματισμού.

Αποσυνδέστε τη συσκευή από την τροφοδοσία ρεύματος. Κόψτε το καλώδιο ρεύματος και απορρίψτε το. Το κύκλωμα του ψυκτικού μέσου αυτής της συσκευής είναι φιλικό προς το όζον. Επικοινωνήστε με τη δημοτική αρχή για πληροφορίες σχετικά με τη σωστή απόρριψη της συσκευής. Μην προκαλείτε βλάβη στο τμήμα της ψυκτικής μονάδας που βρίσκεται κοντά στον εναλλάκτη θερμότητας.

A.



B.



ΠΕΡΙΓΡΑΦΗ ΠΡΟΪΟΝΤΟΣ

A.

1. Πίνακας ελέγχου
2. Μοχλός για άνοιγμα/κλείσιμο/στόχευση του ρεύματος αέρα
3. Φίλτρο αέρα
4. Δοχείο νερού
5. Αλλαγή φίλτρου αέρα

B.

ΠΙΝΑΚΑΣ ΕΛΕΓΧΟΥ - ΠΕΡΙΓΡΑΦΗ ΛΕΙΤΟΥΡΓΙΑΣ

Οι αφυγραντήρες της σειράς LD είναι εξοπλισμένοι με έξυπνο πίνακα ελέγχου για απλή και πρακτική χρήση. Λάβετε υπόψη σας ότι ο πίνακας ελέγχου εισέρχεται σε κατάσταση αδράνειας 20 δευτερόλεπτα μετά τη σύνδεση της τάσης του δικτύου ή μετά την τελευταία καταχώρηση και εξέρχεται από την κατάσταση αδράνειας με άγγιγμα στην περιοχή όπου βρίσκονται τα πλήκτρα λειτουργίας. Όλα τα πατήματα πλήκτρων επιβεβαιώνονται με έναν χαρακτηριστικό ήχο.

ΠΛΗΚΤΡΑ ΛΕΙΤΟΥΡΓΙΑΣ

1. Ενεργοποίηση/Απενεργοποίηση - Ενεργοποιεί και απενεργοποιεί τον αφυγραντήρα. Σε κατάσταση εκτός λειτουργίας, η κατανάλωση ενέργειας ισούται με 0,5 W.
2. Ρύθμιση της επιθυμητής υγρασίας - Ενεργό μόνο στις λειτουργίες του προγράμματος "Normal" (Κανονική λειτουργία) και "Fan" (Ανεμιστήρας). Η επιθυμητή υγρασία μπορεί να οριστεί μεταξύ 35 - 75% σε προσαυξήσεις 1 ποσοστιαίας μονάδας. Η καθορισμένη τιμή εμφανίζεται πρώτα σταθερά και, στη συνέχεια, αναβοσβήνει πριν εμφανιστεί ξανά η τρέχουσα τιμή.
3. Επιλογή τρόπου λειτουργίας - Επιλογή προγράμματος λειτουργίας, ανατρέξτε στα σημεία 13 - 16, παρακάτω.
4. Ταχύτητα ανεμιστήρα - Η ταχύτητα του ανεμιστήρα μπορεί στη λειτουργία "Normal" (Κανονική λειτουργία) και "Fan" (Ανεμιστήρας) να ρυθμιστεί σε χαμηλή ή υψηλή ταχύτητα. Η εναλλαγή μεταξύ των ταχυτήτων πραγματοποιείται με καθυστέρηση λίγων δευτερολέπτων.

ΣΥΝΑΓΕΡΜΟΙ/ΠΛΗΡΟΦΟΡΙΕΣ

5. Απόψυξη - Εάν είναι απαραίτητο, το κύκλωμα ψύξης πραγματοποιεί αυτόματη απόψυξη, μέσω της οποίας ο συμπιεστής απενεργοποιείται και μόνο ο ανεμιστήρας βρίσκεται σε λειτουργία. Το σύμβολο σβήνει όταν επανεκκινηθεί η διαδικασία αφύγρυνσης.
6. Πολύ υψηλή θερμοκρασία περιβάλλοντος - Εάν η θερμοκρασία περιβάλλοντος υπερβαίνει τους 35 °C, η διαδικασία αφύγρυνσης διακόπτεται και συνεχίζεται αυτόματα όταν η θερμοκρασία περιβάλλοντος πέσει κάτω από τους 35 °C. Το σύμβολο ανάβει όταν η θερμοκρασία είναι 35 °C ή υψηλότερη.
7. Χαμηλή θερμοκρασία δωματίου - Εάν η θερμοκρασία περιβάλλοντος πέσει κάτω από 2°C, η διαδικασία αφύγρυνσης διακόπτεται και συνεχίζεται αυτόματα όταν η θερμοκρασία περιβάλλοντος περάσει τους 2°C. Το σύμβολο ανάβει όταν η θερμοκρασία είναι 2°C ή χαμηλότερη.
8. Δοχείο συμπυκνωμάτων πλήρες - Όταν το δοχείο είναι πλήρες, ενεργοποιείται ένα ηχητικό σήμα για 20 δευτερόλεπτα και το σύμβολο ανάβει. Όταν το δοχείο νερού αδειάσει και επαναποθετηθεί, γίνεται αυτόματη επαναφορά στο πρόγραμμα λειτουργίας. Βεβαιωθείτε ότι ο πλωτήρας κρέμεται ελεύθερα στο δοχείο.
9. Θερμοκρασία δωματίου - Εμφανίζει την ανιχνευθείσα θερμοκρασία περιβάλλοντος.
10. Ταχύτητα ανεμιστήρα - Το σύμβολο του ανεμιστήρα μαζί με τις παύλες υποδεικνύουν υψηλή ταχύτητα, ενώ μόνο το σύμβολο του ανεμιστήρα υποδεικνύει χαμηλή ταχύτητα.
11. Σχετική υγρασία - Εμφανίζει τις τρέχουσες και επιθυμητές τιμές-στόχους. Το τελευταίο σε σχέση με τη ρύθμιση της τιμής-στόχου.
12. WiFi - Υποδεικνύει τότε είναι συνδεδεμένο το WiFi. Ισχύει μόνο για μοντέλα που διαθέτουν αυτήν τη δυνατότητα.

ΤΡΟΠΟΙ ΛΕΙΤΟΥΡΓΙΑΣ

13. Λειτουργία ανεμιστήρα - Χρησιμοποιείται αν είναι επιθυμητή η συνεχής κυκλοφορία του αέρα. Η ταχύτητα του ανεμιστήρα και η τιμή-στόχος για την υγρασία μπορούν να ρυθμιστούν. Όταν επιτευχθεί η καθορισμένη τιμή στόχου, μόνο ο συμπιεστής απενεργοποιείται για να επανεκκινηθεί ξανά αν αυξηθεί η υγρασία.
14. Λειτουργία άνεσης (EASY) - Ο αφυγραντήρας στοχεύει σε σχετική υγρασία 50% με τον ανεμιστήρα να έχει ρυθμιστεί σε χαμηλή ταχύτητα. Όταν επιτευχθεί η τιμή-στόχος, ο συμπιεστής και ο ανεμιστήρας απενεργοποιούνται και επανεκκινούνται αν η υγρασία αυξηθεί πάνω από 50%.
15. Τρόπος στεγνώματος ρούχων (LAUNDRY) - Η διαδικασία αφύγρυνσης είναι σε λειτουργία με τον ανεμιστήρα σε υψηλή ταχύτητα μέχρι να απενεργοποιηθεί χειροκίνητα ή να αλλάξει η λειτουργία.
16. Κανονική λειτουργία (NORMAL) - Χρησιμοποιείται για τον μη αυτόματο καθορισμό της τιμής-στόχου για την υγρασία και την ταχύτητα του ανεμιστήρα. Όταν επιτευχθεί η τιμή-στόχος, ο συμπιεστής και ο ανεμιστήρας απενεργοποιούνται και επανεκκινούνται αν η υγρασία αυξηθεί πάνω από την τιμή-στόχο.
17. Λειτουργία κλειδώματος - Χρησιμοποιείται για την αποτροπή της ακούσιας αλλαγής των ρυθμίσεων. Η λειτουργία κλειδώματος λειτουργεί τα πλήκτρα FAN (ΑΝΕΜΙΣΤΗΡΑΣ) και MODE (ΛΕΙΤΟΥΡΓΙΑ) ταυτόχρονα για 3 δευτερόλεπτα. Η απενεργοποίηση της λειτουργίας κλειδώματος γίνεται με τον ίδιο τρόπο.

ΤΕΧΝΙΚΑ ΧΑΡΑΚΤΗΡΙΣΤΙΚΑ	LD40	LD44	LD48PRO+
Μέγιστη επιφάνεια λειτουργίας	100 m ²	140 m ²	180 m ²
Βήμα ροής αέρα 1	200 m ³ /h	160 m ³ /h	160 m ³ /h
Βήμα ροής αέρα 2	350 m ³ /h	300 m ³ /h	300 m ³ /h
Αφύγρανση στους 20 °C και σχετική υγρασία 70%	7,5 L/24 ώρες	11 L/24 ώρες	16 L/24 ώρες
Αφύγρανση στους 30 °C και σχετική υγρασία 80%	13 L/24 ώρες	19 L/24 ώρες	31 L/24 ώρες
Ισχύς στους 20 °C και σχετική υγρασία 70%	180 W	285 W	450 W
Κατανάλωση ενέργειας στους 20 °C και σχετική υγρασία 70%	4,3 kWh/24 ώρες	8 kWh/24 ώρες	9,1 kWh/24 ώρες
Όγκος δοχείου	11 L	11 L	11 L
Ψυκτικό μέσο	R290	R290	R290
Αλλαγή ψυκτικού μέσου	99 g	115 g	130 g
Τάση	230 V	230 V	230 V
Συχνότητα	50 Hz	50 Hz	50 Hz
Ασφάλεια	10 A	10 A	10 A
Κατηγορία IP	X1	X1	X1
Διαστάσεις (Μ x Π x Υ)	460 x 345 x 575 mm	460 x 345 x 575 mm	460 x 345 x 575 mm

*Ενδέχεται να προκύψουν τεχνικές αλλαγές και βελτιώσεις. Όλες οι τιμές είναι κατά προσέγγιση και ενδέχεται να ποικίλουν λόγω εξωτερικών συνθηκών, όπως η θερμοκρασία, ο εξαερισμός και η υγρασία.

ΠΡΟΒΛΗΜΑ

ΑΝΤΙΜΕΤΩΠΙΣΗ

Ο αφυγραντήρας δεν εκκινείται	<ul style="list-style-type: none"> Βεβαιωθείτε ότι ο αφυγραντήρας είναι συνδεδεμένος στην πρίζα και ότι η ασφάλεια δεν έχει καεί. Αν το εικονίδιο του συμβόλου είναι αναμμένο, ελέγξτε ότι το δοχείο νερού είναι κενό και ότι έχει τοποθετηθεί σωστά στον αφυγραντήρα. Βεβαιωθείτε ότι ο πλωτήρας κρέμεται ελεύθερα. Βεβαιωθείτε ότι η τιμή της υγρασίας στον πίνακα ελέγχου του μηχανήματος εμφανίζεται με όταν ο πίνακας εξέρχεται από την κατάσταση αδράνειας. Ο αφυγραντήρας πρέπει να εκκινηθεί μέσα σε 5 λεπτά, αν αυτό είναι υψηλότερο από την καθορισμένη τιμή. Αποσυνδέστε το καλώδιο τροφοδοσίας, περιμένετε 10 δευτερόλεπτα και επανασυνδέστε το.
Ο αφυγραντήρας δεν εκκινείται	<ul style="list-style-type: none"> Βεβαιωθείτε ότι ο τροχός του ανεμιστήρα περιστρέφεται. Ελέγξτε ότι ο αέρας μπορεί να ρέει ελεύθερα μέσα από τον αφυγραντήρα. Οι έξοδοι και τα φίλτρα αέρα πρέπει να είναι καθαρά και ο αφυγραντήρας πρέπει να απέχει τουλάχιστον 20-30 cm από τον τοίχο. Ακούστε αν ο συμπιεστής λειτουργεί, αλλά λάβετε υπόψη ότι μπορεί να βρίσκεται σε κύκλο απόψυξης, γεγονός που προκαλεί την προσωρινή διακοπή της λειτουργίας του συμπιεστή. Ξεκινήστε περιμένοντας περίπου 30 λεπτά. Ελέγξτε ότι δεν σχηματίζεται ένα παχύ στρώμα πάγου στα πηνία ψύξης/στις πλάκες πίσω από το φίλτρο.
Υψηλό επίπεδο θορύβου/κροτάλισμα	<ul style="list-style-type: none"> Αυξήστε την απόσταση μεταξύ του αφυγραντήρα και των επιφανειών που τον περιβάλλουν. Τα πηνία ψύξης μπορεί να βρίσκονται σε επαφή μεταξύ τους και να προκαλούν δονήσεις. Αποσυνδέστε τον αφυγραντήρα από την ηλεκτρική πρίζα και διαχωρίστε τους βρόχους
Δεν συλλέγεται συμπυκνωμένο νερό	<ul style="list-style-type: none"> Ελέγξτε ότι δεν υπάρχουν ρύποι κ.λπ. στον δίσκο αποστράγγισης κάτω από τα πηνία ψύξης και καθαρίστε τους ρύπους, αν χρειάζεται. Βεβαιωθείτε ότι η θερμοκρασία είναι πάνω από 2 °C ή κάτω από 35 °C.
Η συσκευή δεν απενεργοποιείται όταν το δοχείο νερού είναι γεμάτο	<ul style="list-style-type: none"> Είναι σημαντικό ο πλωτήρας να κινείται ελεύθερα μέσα στο δοχείο νερού. Εάν δεν το κάνει, ίσως να μην ανιχνεύει τη στάθμη του νερού, διασφαλίζοντας ότι ο αφυγραντήρας θα σταματήσει να λειτουργεί.
Κωδικός σφάλματος E2	<ul style="list-style-type: none"> Εάν εμφανιστεί η ένδειξη "E2" στην οθόνη, ο αισθητήρας υγρασίας ενδέχεται να είναι ελαττωματικός. Δοκιμάστε να αποσυνδέσετε το καλώδιο τροφοδοσίας, περιμένετε 10 δευτερόλεπτα και συνδέστε το ξανά. Εάν ο κωδικός σφάλματος παραμείνει, επικοινωνήστε με τον προμηθευτή σας.

Εάν αντιμετωπίζετε πρόβλημα με τον αφυγραντήρα σας, ανατρέξτε στον οδηγό αντιμετώπισης προβλημάτων. Εάν κανένα από τα παραπάνω δεν λειτουργεί, επικοινωνήστε με τον αντιπρόσωπό σας για να συντηρηθεί ο αφυγραντήρας σας.

Ο ΑΦΥΓΡΑΝΤΗΡΑΣ ΤΗΣ WOOD'S ΕΙΝΑΙ ΕΝΑΣ ΑΠΟ ΤΟΥΣ ΚΟΡΥΦΑΙΟΥΣ ΑΦΥΓΡΑΝΤΗΡΕΣ ΣΤΟΝ ΚΟΣΜΟ

Η Wood's είναι γνωστή ως ηγέτιδα στον κλάδο αφύγρανσης εδώ και πολλά χρόνια. Οι αποδοτικοί αφυγραντήρες μας προσφέρουν χαμηλή κατανάλωση ενέργειας και είναι κατάλληλοι για χρήση στα πιο απαιτητικά κλίματα, όπου η αφύγρανση είναι απαραίτητη ακόμη και σε χαμηλότερες θερμοκρασίες και επίπεδα υγρασίας.

Οι αφυγραντήρες μας προσφέρουν τα βέλτιστα αποτελέσματα σε χώρους όπου αναπτύσσεται υγρασία, όπως υπόγεια, γκαράζ, εξοχικά, χώρους πλυντηρίων, στενούς χώρους σε κτίρια που δίνουν πρόσβαση σε άλλα σημεία του κτιρίου και εσωτερικούς χώρους πισίνας. Ένα επιπλέον πλεονέκτημα είναι η ικανότητά τους να στεγνώνουν αποτελεσματικά τα ρούχα και τα υφάσματα χωρίς να τα φθείρουν.

Η ποσότητα της υγρασίας που αφαιρεί ο αφυγραντήρας εξαρτάται από τη θερμοκρασία, το επίπεδο υγρασίας και την τοποθέτηση. Ο καιρός του εξωτερικού περιβάλλοντος επηρεάζει επίσης την απόδοση του αφυγραντήρα. Σε χαμηλές θερμοκρασίες η σχετική υγρασία στους εσωτερικούς χώρους πέφτει, μειώνοντας έτσι την απορρόφηση υγρασίας του αφυγραντήρα από τον αέρα. Ο αφυγραντήρας είναι κατάλληλος για χρήση σε εύρος θερμοκρασίας +2 °C έως +35 °C. Οι αφυγραντήρες της Wood's είναι ασφαλείς και έχουν σχεδιαστεί για συνεχόμενη λειτουργία για πολλά χρόνια.

ΥΠΕΡΒΟΛΙΚΗ ΑΤΜΟΣΦΑΙΡΙΚΗ ΥΓΡΑΣΙΑ – ΕΝΑΣ ΚΙΝΔΥΝΟΣ

Η συμπύκνωση λαμβάνει χώρα όταν οι υδρατμοί στον αέρα έρχονται σε επαφή με μια ψυχρή επιφάνεια, όπως ένα ταβάνι, ένα παράθυρο ή έναν τοίχο. Όταν οι υδρατμοί ψύχονται, λαμβάνει χώρα το φαινόμενο της συμπύκνωσης και σχηματίζονται σταγονίδια νερού. Σε υψηλές τιμές υγρασίας, μπορεί ο αέρας να γίνει πνιγηρός και να σχηματιστεί μούχλα που βλάπτει το σπίτι και το εσωτερικό του. Αυτό το περιβάλλον μπορεί επίσης να οδηγήσει σε ασθένειες των ενοίκων καθώς, μεταξύ άλλων, τα ακάρεα ευδοκούν στα υγρά περιβάλλοντα. Ένας αφυγραντήρας με υψηλή απόδοση δημιουργεί ένα βέλτιστο και υγιεινό επίπεδο υγρασίας. Για να επιτευχθεί το βέλτιστο αποτέλεσμα, οι πόρτες και τα παράθυρα των χώρων που πρόκειται να αφυγρανθούν πρέπει να παραμείνουν κλειστά. Ο αφυγραντήρας απομακρύνει τις δυσάρεστες οσμές, στεγνώνει το ξύλο και απομακρύνει την υγρασία από τον αθλητικό εξοπλισμό για εξωτερική χρήση κ.λπ. Ένας αφυγραντήρας μπορεί να χρησιμοποιηθεί σε υπόγεια, χώρους πλυντηρίων, γκαράζ, τροχόσπιτα, καλοκαιρινές εξοχικές κατοικίες και σε σκάφη. Εάν ο αφυγραντήρας χρησιμοποιείται σε ψυχρότερα περιβάλλοντα, δείτε πιο προσεκτικά τις υποδείξεις στο τέλος των οδηγιών χρήσης.

ΣΗΜΕΙΩΣΗ!

Όταν τοποθετείται σε χώρο ντους ή λουτρού, ο αφυγραντήρας πρέπει να στερεώνεται στη θέση του. Είναι υποχρεωτικό να ελέγχετε και να σέβεστε τους τοπικούς κανονισμούς ηλεκτρισμού για χώρους λουτρών πριν από τη χρήση.

ΧΡΗΣΗ ΤΩΝ ΑΦΥΓΡΑΝΤΗΡΩΝ ΤΗΣ WOOD'S

Εάν ο αφυγραντήρας μεταφερθεί σε οριζόντια θέση, αφήστε τον σε κάθε θέση για 4 ώρες πριν από τη χρήση. Είναι πολύ σημαντικό για το λάδι να επιστρέψει στον συμπιεστή, καθώς, διαφορετικά, ο αφυγραντήρας μπορεί να υποστεί σοβαρή ζημιά. Οι αφυγραντήρες της Wood's μετακινούνται εύκολα όταν είναι εξοπλισμένοι με τροχούς. Το μόνο που απαιτείται είναι η εγγύτητα σε μια ηλεκτρική πρίζα με 220-240 V, ωστόσο, πρέπει να θυμάστε τα εξής:

Ο αφυγραντήρας δεν πρέπει να τοποθετείται κοντά σε θερμαντικά σώματα ή άλλες πηγές θερμότητας ή να εκτίθεται σε άμεσο ηλιακό φως, καθώς έτσι μειώνεται η απόδοσή του.

- Μπορείτε να χρησιμοποιείτε ένα θερμαντικό σώμα ή ένα αερόθερμο για να διατηρείτε τη θερμοκρασία πάνω από τους +2 °C.
 - Ο αφυγραντήρας πρέπει να τοποθετείται τουλάχιστον 25 cm μακριά από τοίχους και άλλα εμπόδια για να εξασφαλίζεται η μέγιστη ροή αέρα.
 - Είναι ιδανικό να τοποθετήσετε τον αφυγραντήρα όσο το δυνατόν πιο κεντρικά στο δωμάτιο/στον χώρο.
1. Ελέγξτε ότι το δοχείο νερού είναι σωστά τοποθετημένο.
 2. Συνδέστε τον αφυγραντήρα σε γειωμένη πρίζα.
 3. Επιλέξτε το επιθυμητό πρόγραμμα υγρασίας ή το επίπεδο υγρασίας χρησιμοποιώντας τον πίνακα ελέγχου. Ανατρέξτε στην ενότητα σχετικά με την περιγραφή της λειτουργίας.

ΣΗΜΕΙΩΣΗ!

Όταν ο αφυγραντήρας απενεργοποιηθεί, απαιτούνται 5 λεπτά για επανεκκίνηση.

ΠΛΩΤΗΡΑΣ

Ο πλωτήρας αποτελείται από έναν λευκό πλαστικό κύλινδρο που αιωρείται από δύο σύρματα που κρέμονται σε δύο βραχίονες. Ο πλωτήρας επιπλέει και, όταν η στάθμη του νερού ανεβαίνει, ο πλωτήρας ανυψώνεται. Όταν ο πλωτήρας φτάσει σε ένα ορισμένο ύψος, ο αφυγραντήρας ανιχνεύει τη θέση αυτή και απενεργοποιείται αυτόματα για να αποφευχθεί η υπερχειλίση. Όταν το δοχείο νερού αδειάσει, θα πρέπει να επανατοποθετηθεί στη θέση του με τον ακόλουθο τρόπο:

ΑΔΕΙΑΣΜΑ ΔΟΧΕΙΩΝ ΝΕΡΟΥ

1. Όταν το δοχείο νερού γεμίσει, τραβήξτε το απαλά προς τα έξω και αδειάστε το στην αποχέτευση.
2. Σπρώξτε το δοχείο νερού προς τα μέσα ξανά μέχρι να αγγίξει τον πλωτήρα.
3. Σηκώστε το κάτω άκρο του δοχείου νερού για να αποκτήσει μια ελαφριά κλίση.
4. Σπρώξτε το δοχείο νερού τελευταίο. Ο πλωτήρας θα πρέπει τώρα να βρίσκεται μέσα στο δοχείο νερού, και όχι πίσω του.

ΣΗΜΕΙΩΣΗ!

Είναι σημαντικό ο πλωτήρας να κρέμεται ελεύθερα, επειδή ο σκοπός του είναι να ανιχνεύει τη στάθμη του νερού στο δοχείο και να διασφαλίζει ότι ο αφυγραντήρας απενεργοποιείται όταν η στάθμη είναι υψηλή. Ένας εσφαλμένα τοποθετημένος πλωτήρας μπορεί να προκαλέσει υπερχειλίση του δοχείου νερού.

ΑΠΟΣΤΡΑΓΓΙΣΗ ΤΟΥ ΝΕΡΟΥ ΣΤΗΝ ΑΠΟΧΕΤΕΥΣΗ

1. Αποσυνδέστε τον αφυγραντήρα από την πρίζα και αφαιρέστε το δοχείο νερού για να αποκτήσετε πρόσβαση στη σύνδεση με το σπείρωμα κάτω από τον δίσκο αποστράγγισης.
2. Συνδέστε τον σύνδεσμο του σωλήνα στον σύνδεσμο με το σπείρωμα και οδηγήστε τον σωλήνα στην αποχέτευση. Βεβαιωθείτε ότι ο σωλήνας έχει τοποθετηθεί χαμηλότερα από τον δίσκο αποστράγγισης.
3. Τοποθετήστε το βύσμα του αφυγραντήρα στην πρίζα.
4. Χωρίς σωλήνα και απευθείας πάνω από την αποχέτευση: Τοποθετήστε τον αφυγραντήρα απευθείας πάνω από την αποχέτευση έτσι ώστε το συμπυκνωμένο νερό να μπορεί να στάξει μέσα από την οπή στο κάτω μέρος του αφυγραντήρα και να καταλήγει στην αποχέτευση.

ΑΥΤΟΜΑΤΟΣ ΤΕΡΜΑΤΙΣΜΟΣ ΛΕΙΤΟΥΡΓΙΑΣ

Όταν το δοχείο νερού είναι γεμάτο, ο αφυγραντήρας απενεργοποιείται αυτόματα και προειδοποιεί τον χρήστη ότι το δοχείο νερού πρέπει να αδειάσει για να είναι ξανά δυνατή η χρήση του αφυγραντήρα. Ανατρέξτε στην περιγραφή της λειτουργίας.

1. Αποσυνδέστε τον αφυγραντήρα από την πρίζα.
2. Αδειάστε το δοχείο νερού.
3. Επανατοποθετήστε το άδειο δοχείο νερού και βεβαιωθείτε ότι ο πλωτήρας κρέμεται ελεύθερος, ανατρέξτε στην ενότητα που αφορά τον πλωτήρα.
4. Συνδέστε τον αφυγραντήρα στην πρίζα. Ο αφυγραντήρας επανεκκινείται στην ίδια κατάσταση λειτουργίας στην οποία βρισκόταν κατά την απουσία.

ΦΙΛΤΡΟ ΑΕΡΑ

Το φίλτρο αέρα στο πίσω μέρος του αφυγραντήρα προστατεύει τα πηνία ψύξης από τη σκόνη. Είναι σημαντικό το φίλτρο να διατηρείται καθαρό έτσι ώστε ο αέρας να μπορεί να ρέει ελεύθερα μέσω του αφυγραντήρα. Συνεπώς, το φίλτρο θα πρέπει να αντικαθίσταται όταν χρειάζεται.

Ο αφυγραντήρας είναι εξοπλισμένος με φίλτρο SMF το οποίο βελτιώνει την απόδοση του αφυγραντήρα ενώ καθαρίζει περαιτέρω τον αέρα. Ανατρέξτε στις οδηγίες για την αλλαγή του φίλτρου αέρα. Συνιστούμε τουλάχιστον μία αλλαγή φίλτρου ετησίως. Για να ακολουθήσετε το πρόγραμμα εγγύησης καταχωρήστε τον αφυγραντήρα σας στη διεύθυνση warranty-woods.com

ΑΥΤΟΜΑΤΗ ΑΠΟΨΥΞΗ

Οι αφυγραντήρες της Wood's είναι εξοπλισμένοι με ένα σύστημα ελέγχου που εξασφαλίζει ότι τα πηνία ψύξης αποψύχονται, αν αυτό είναι απαραίτητο. Το σύστημα ελέγχου τερματίζει απενεργοποιεί τον συμπιεστή, γεγονός που προκαλεί την παύση της ψύξης των πηνίων. Ο ανεμιστήρας συνεχίζει να περνά τον αέρα σε θερμοκρασία δωματίου μέσω του αφυγραντήρα και, έτσι, λιώνει τον πάγο και το νερό ρέει προς τα κάτω μέσα στο δοχείο νερού. Σημειώστε ότι αυτό το σύστημα ελέγχου επιτρέπει στον αφυγραντήρα να λειτουργεί σε θερμοκρασία έως και + 2 C.

ΑΝΕΜΙΣΤΗΡΑΣ

Ο ανεμιστήρας διασφαλίζει ότι ο αέρας ρέει μέσω του αφυγραντήρα. Ο υγρός αέρας απορροφάται από το πίσω μέρος της συσκευής και μέσω του εξαεμιστή και του συμπυκνωτή, και απελευθερώνεται κατόπιν αφύγρανσης από το επάνω μέρος του αφυγραντήρα.

ΚΑΘΑΡΙΣΜΟΣ ΚΑΙ ΣΥΝΤΗΡΗΣΗ

Οι αφυγραντήρες της Wood's απαιτούν καθαρισμό και αντικατάσταση φίλτρου για να διατηρούν την υψηλή ικανότητα αφύγρανσης που προσφέρουν.

- Η έξοδος αέρα μπορεί να καθαριστεί με ηλεκτρική σκούπα ή με μια βούρτσα. Προσέξτε να μην προκληθούν φθορές στις πλάκες.
- Τα πηνία ψύξης καθαρίζονται καλύτερα με ένα πανί και ζεστό νερό. Να είστε προσεκτικοί.
- Ο κινητήρας του ανεμιστήρα λιπαίνεται μόνιμα και δεν απαιτεί συντήρηση.

ΣΗΜΕΙΩΣΗ!

Αποσυνδέστε το καλώδιο τροφοδοσίας από την πρίζα πριν από τον καθαρισμό.

ΥΠΟΔΕΙΞΕΙΣ

- Για τη μέγιστη απόδοση σε έναν χώρο, συνιστάται η ελαχιστοποίηση της παροχής αέρα από το εξωτερικό περιβάλλον και από διπλανούς χώρους, γι' αυτό κλείστε τις πόρτες και τους εξαεριστήρες. Για βέλτιστη απόδοση,

τοποθετήστε τον αφυγραντήρα στο κέντρο του δωματίου.

- Αυξήστε τη θερμοκρασία στο δωμάτιο για ταχύτερη αφύγρανση. (Ο ζεστός αέρας μπορεί να περιέχει περισσότερο νερό). Χρησιμοποιήστε μέσο αντιπαγωτικής προστασίας αν η θερμοκρασία πέσει κάτω από τους + 2 °C
- Ο αφυγραντήρας εξαγει περισσότερο νερό κατά τη διάρκεια του καλοκαιριού και του φθινοπώρου επειδή ο εξωτερικός αέρας είναι ζεστός και υγρός. (Η απόλυτη υγρασία είναι συνήθως υψηλότερη).
- Συνιστώμενα όρια χρήσης:
- Θερμοκρασία LD + 2°C έως + 35°C
- Σχετική υγρασία: 30% έως 90%
- Συνιστώμενο επίπεδο υγρασίας κατά προσέγγιση Σχετική υγρασία 50%

ΟΤΑΝ Ο ΑΦΥΓΡΑΝΤΗΡΑΣ ΧΡΕΙΑΖΕΤΑΙ ΣΥΝΤΗΡΗΣΗ

Εάν ο αφυγραντήρας χρήζει συντήρησης, πρέπει πρώτα να επικοινωνήσετε με το κατάστημα λιανικής. Για οποιαδήποτε αξίωση καταβολής εγγύησης, απαιτείται η απόδειξη αγοράς.

ΣΗΜΕΙΩΣΗ!

Αποκτήστε εγγύηση 10 ετών! Εγγραφείτε στην ηλεκτρονική διεύθυνση warranty-woods.com
Αντικαθιστάτε το ενεργό φίλτρο SMF τουλάχιστον μία φορά τον χρόνο.
Επισκεφτείτε την ηλεκτρονική διεύθυνση woods.se για περισσότερες πληροφορίες

ΕΓΓΥΗΣΕΙΣ

Εγγύηση 2 ετών έναντι κατασκευαστικών ελαττωμάτων. Λάβετε υπόψη σας ότι η εγγύηση ισχύει μόνο με την προσκόμιση απόδειξης αγοράς

ΣΗΜΑΝΤΙΚΟ!

Ο αφυγραντήρας της Wood's πρέπει να συνδέεται με γειωμένη πρίζα τάσης 220 V-240 V 50 Hz.

ΕΓΓΥΗΣΗ

ΓΙΑ ΝΑ ΛΑΒΕΤΕ ΕΚΤΕΤΑΜΕΝΗ ΕΓΓΥΗΣΗ, ΑΠΟ 2 ΕΩΣ 10 ΧΡΟΝΙΑ, ΑΚΟΛΟΥΘΗΣΤΕ ΑΥΤΑ ΤΑ ΒΗΜΑΤΑ.

1. Καταχωρήστε τον αφυγραντήρα σας μετά την αγορά σας στο warranty-woods.com
2. Αντικαθιστάτε το φίλτρο SMF στον αφυγραντήρα σας τακτικά, τουλάχιστον μία φορά τον χρόνο. Αν θέλετε, θα σας στείλουμε μια υπενθύμιση όταν χρειάζεται αλλαγή φίλτρου. Η υπενθύμιση είναι, φυσικά, δωρεάν. Μπορείτε να βρείτε φίλτρα στο τοπικό σας κατάστημα λιανικής πώλησης ή στον διανομέα της περιοχής σας. Επισκεφθείτε τη διεύθυνση woods.se για να εντοπίσετε τον πλησιέστερο διανομέα της Wood's.

ΣΗΜΕΙΩΣΗ!

Δεν υπάρχει καμία υποχρέωση αγοράς φίλτρων κατά την εγγραφή του αφυγραντήρα σας στο warranty-woods.com

ΦΥΛΑΞΤΕ ΤΙΣ ΑΠΟΔΕΙΞΕΙΣ ΣΑΣ!

Θα είναι απαραίτητες για οποιαδήποτε αξίωση εγγύησης κατά τη διάρκεια της περιόδου εγγύησης.





MANUAL DE INSTRUCCIONES

Material inflamable. Este electrodoméstico contiene R290/propano, un refrigerante inflamable.



Consulte el Manual del operador.



Lea el Manual técnico.



Consulte el Manual del operador.

INFORMACIÓN DE SEGURIDAD

Antes de la instalación y uso del electrodoméstico, lea detenidamente las instrucciones suministradas. El fabricante no es responsable de las lesiones y los daños provocados como consecuencia de una instalación y un uso incorrectos. Guarde siempre las instrucciones con el electrodoméstico para consultarlas en el futuro.

SEGURIDAD DE LOS NIÑOS Y DE LAS PERSONAS VULNERABLES

ADVERTENCIA

Riesgo de lesiones o de incapacidad permanente.

Este electrodoméstico puede ser utilizado por niños de 8 años o más y personas con capacidades físicas, sensoriales o mentales reducidas o falta de experiencia y conocimientos si se les ha dado supervisión o instrucciones sobre el uso del electrodoméstico de manera segura y comprenden los riesgos que implica. No permita que los niños jueguen con el electrodoméstico.

Los niños menores de 3 años deben mantenerse alejados, a menos que estén continuamente supervisados. Mantenga todo el embalaje lejos de los niños. La limpieza y el mantenimiento del usuario no se deben realizar por niños sin supervisión.

SEGURIDAD GENERAL

Este electrodoméstico está diseñado para ser utilizado en aplicaciones domésticas y similares tales como: sótanos, semisótanos, zonas de la cocina del personal en tiendas, oficinas y otros entornos de trabajo. La placa de clasificación se encuentra detrás del depósito de agua del deshumidificador. Mantenga las aperturas

de ventilación libres de obstrucciones.

No utilice dispositivos mecánicos ni otros medios para acelerar el proceso de descongelación, excepto los recomendados por el fabricante. El electrodoméstico no debe guardarse en una estancia en la que haya fuentes de ignición funcionando continuamente (llamas abiertas, un aparato de gas en funcionamiento, un calentador eléctrico, etc.). No lo perforo ni lo queme. Tenga en cuenta que es posible que los refrigerantes no tengan olor. No utilice agua pulverizada ni vapor para limpiar el electrodoméstico. Limpie el electrodoméstico con un paño suave y húmedo. Utilice solo detergentes neutros. No utilice productos abrasivos, almohadillas de limpieza abrasivas, disolventes ni objetos metálicos. Si el cable de corriente está dañado, debe ser sustituido por el fabricante, por su Centro de servicio autorizado o por personas de cualificación similar para evitar riesgos.

INSTRUCCIONES DE SEGURIDAD

ADVERTENCIA

Solo una persona cualificada puede instalar este electrodoméstico.

Retire todo el material de embalaje. No instale ni utilice un electrodoméstico dañado. El electrodoméstico debe instalarse, manejarse y guardarse en una estancia con una superficie de suelo superior a 4 m². Siga rigurosamente las instrucciones de instalación suministradas con el electrodoméstico. Tenga siempre cuidado al mover el electrodoméstico porque es pesado. Use siempre guantes de seguridad.

Asegúrese de que el aire pueda circular alrededor del electrodoméstico. Espere al menos 4 horas antes de conectar el electrodoméstico a la toma de corriente. De esta manera, se permite que el aceite vuelva a entrar en el compresor. No instale el electrodoméstico cerca de radiadores ni otras fuentes de calor. No instale el electrodoméstico bajo la luz directa del sol.

CONEXIÓN ELÉCTRICA

ADVERTENCIA

Riesgo de incendio y de descarga eléctrica.

El electrodoméstico debe conectarse a una toma de corriente conectada a tierra. Asegúrese de que la información eléctrica

de la etiqueta de clasificación coincida con la fuente de alimentación. De lo contrario, póngase en contacto con un electricista. Utilice siempre un enchufe a prueba de descargas correctamente instalado. No utilice adaptadores de enchufes múltiples ni alargadores. Asegúrese de no causar daños a los componentes eléctricos (p. ej., enchufe, cable). Póngase en contacto con el Centro de asistencia autorizado o con un electricista para cambiar los componentes eléctricos. El cable debe estar por debajo del nivel del enchufe. Conecte el enchufe a la toma de corriente solamente al final de la instalación. Asegúrese de que haya acceso al enchufe después de la instalación. No tire del cable de alimentación para desconectar el electrodoméstico. Desconecte siempre el cable de alimentación únicamente desde el enchufe.

USO

ADVERTENCIA

Riesgo de lesiones, quemaduras, descarga eléctrica o incendio.

No modifique las especificaciones de este electrodoméstico. Tenga cuidado de no causar daños en el circuito refrigerante. Contiene propano (R290), un gas natural con un alto nivel de compatibilidad medioambiental. Este gas es inflamable. Si se produce algún daño en el circuito del refrigerante, asegúrese de que no haya llamas y fuentes de ignición en la habitación. Ventile la habitación. No deje productos inflamables ni artículos que estén mojados con productos inflamables cerca o sobre el electrodoméstico.

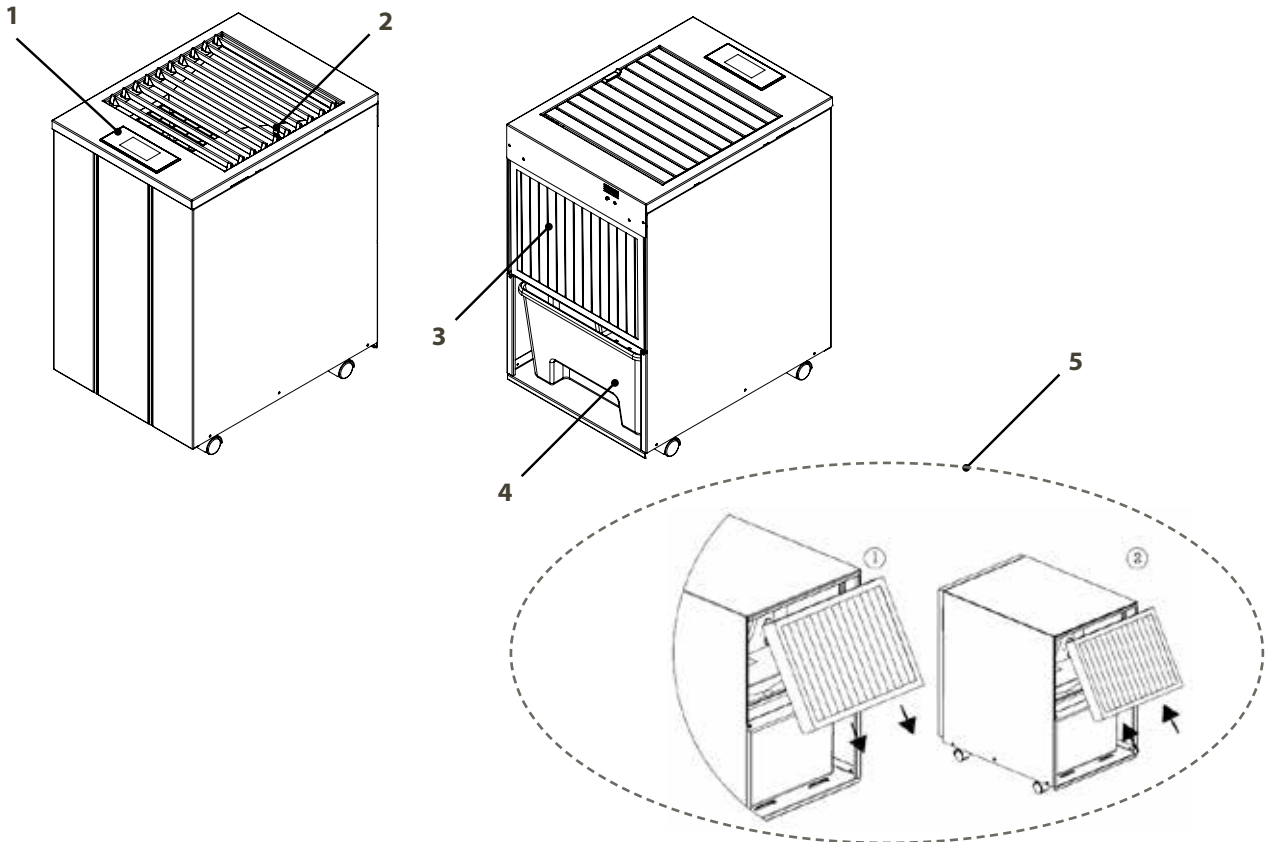
ELIMINACIÓN

ADVERTENCIA

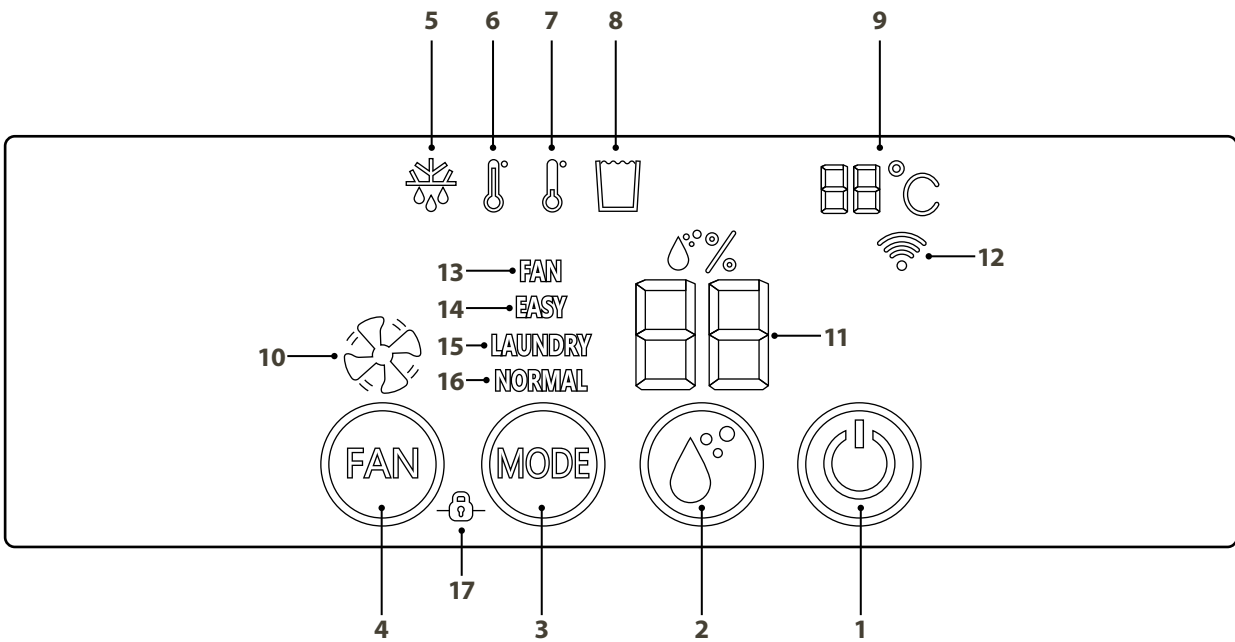
Riesgo de lesiones.

Desconecte el electrodoméstico de la red eléctrica. Corte el cable de alimentación y deséchelo. El circuito refrigerante de este electrodoméstico es respetuoso con el ozono. Póngase en contacto con las autoridades locales para obtener información sobre cómo desechar el electrodoméstico correctamente. No provoque daños en la parte de la unidad de refrigeración que está cerca del intercambiador de calor.

A.



B.



DESCRIPCIÓN DEL PRODUCTO

A.

1. Panel de control
2. Palanca de movimiento para abrir, cerrar y dirigir la corriente de aire
3. Filtro de aire
4. Recipiente de agua
5. Cambio del filtro de aire

B.

PANEL DE CONTROL: DESCRIPCIÓN DE LA FUNCIÓN

Los deshumidificadores de la serie LD están equipados con un panel de control intuitivo para un uso sencillo y cómodo. Tenga en cuenta que el panel de control se apaga y pasa al modo de reposo 20 segundos después de la conexión de la tensión de red o después de la última entrada y se reactiva al tocar la zona donde se encuentran las teclas de función. Todas las pulsaciones de teclas se confirman con un pitido.

TECLAS DE FUNCIÓN

1. Encendido/apagado: el deshumidificador se enciende y se apaga. En el modo apagado, el consumo de energía equivale a 0,5 W.
2. Ajuste de la humedad deseada: solo activo en los modos de programa Normal y Ventilador. La humedad deseada puede establecerse entre el 35 y 75 % en intervalos de 1 punto porcentual. El valor establecido se muestra primero fijo y, a continuación, parpadea antes de que vuelva a aparecer el valor real.
3. Selección de modo: selección del programa operativo. Consulte los puntos 13-16 que aparecen a continuación.
4. Velocidad del ventilador: la velocidad del ventilador en el modo Normal y Ventilador puede establecerse a baja o alta velocidad. El cambio entre las velocidades se efectúa con unos pocos segundos de retraso.

ALARMAS: INFORMACIÓN

5. Descongelación: en caso necesario, el circuito de refrigeración se descongela automáticamente, por lo que el compresor se apaga y solo el ventilador está en funcionamiento. El símbolo se apaga cuando se reinicia el proceso de deshumidificación.
6. Temperatura ambiente demasiado alta: si la temperatura ambiente supera los 35 °C, el proceso de deshumidificación se apaga y se reanuda automáticamente cuando la temperatura ambiente baja de 35 °C. El símbolo se enciende siempre y cuando la temperatura sea de 35 °C o superior.
7. Temperatura ambiente baja: si la temperatura ambiente cae por debajo de los 2 °C, el proceso de deshumidificación se apaga y se reanuda automáticamente cuando la temperatura ambiente supera los 2 °C. El símbolo se enciende siempre y cuando la temperatura sea de 2 °C o más.
8. Depósito de condensado lleno: cuando el depósito está lleno, se activa una señal acústica durante 20 segundos y se enciende el símbolo. Cuando se vacía y se vuelve a colocar el depósito de agua, se restablece el programa de funcionamiento automáticamente. Asegúrese de que el flotador cuelga libremente en el depósito.
9. Temperatura ambiente: muestra la temperatura ambiente detectada.
10. Velocidad del ventilador: el ventilador y los controles de nivel indican alta velocidad y solo el ventilador indica baja velocidad.
11. Humedad relativa: muestra los valores objetivo actuales y deseados. Este último en relación con la configuración del valor objetivo.
12. Wifi: indica cuándo hay conexión wifi. Solo se aplica a los modelos equipados con esta función.

MODOS DE FUNCIONAMIENTO

13. Modo ventilador: se utiliza si se desea una circulación continua del aire. Se puede establecer la velocidad del ventilador y el valor objetivo de humedad. Cuando se alcanza el valor objetivo establecido, solo se apaga el compresor para reiniciarse de nuevo si aumenta la humedad.
14. Modo confort (FÁCIL): el deshumidificador tiene como objetivo un 50 % de humedad relativa con el ventilador configurado a baja velocidad. Cuando se alcanza el valor objetivo, el compresor y el ventilador se apagan y se reinician si la humedad supera el 50 %.
15. Modo de secado de colada (LAVADO): el proceso de deshumidificación está en funcionamiento con el ventilador a alta velocidad hasta que se apaga manualmente o se cambia de modo.
16. Modo normal (NORMAL): se utiliza para establecer manualmente el valor objetivo de humedad y velocidad del ventilador. Cuando se alcanza el valor objetivo establecido, el compresor y el ventilador se apagan y se reinician si la humedad supera el valor objetivo.
17. Función de bloqueo: se usa para evitar que la configuración se cambie involuntariamente. La función de bloqueo consiste en pulsar las teclas VENTILADOR y MODO simultáneamente durante 3 segundos. Para desactivar la función de bloqueo, hay que realizar la misma operación.

DATOS TÉCNICOS	LD40	LD44	LD48PRO+
Zona de trabajo máx.	100 m ²	140 m ²	180 m ²
Paso 1 del flujo de aire	200 m ³ /h	160 m ³ /h	160 m ³ /h
Paso 2 del flujo de aire	350 m ³ /h	300 m ³ /h	300 m ³ /h
Deshumidificación a 20 °C y 70 % de HR	7,5 l/24h	11 l/24 h	16 l/24 h
Deshumidificación a 30 °C y 80 % de HR	13 l/24 h	19 l/24h	31 l/24 h
Potencia a 20 °C y 70 % de HR	180 W	285 W	450 W
Consumo de energía a 20 °C o 70 % de HR	4,3 kWh/24 h	8 kWh/24 h	9,1 kWh/24 h
Volumen del depósito	11 l	11 l	11 l
Refrigerante	R290	R290	R290
Gas refrigerante	99 g	115 g	130 g
Tensión	230 V	230 V	230 V
Frecuencia	50 Hz	50 Hz	50 Hz
Fusible	10 A	10 A	10 A
Clase IP	X1	X1	X1
Dimensiones (L x An x Al)	460 x 345 x 575 mm	460 x 345 x 575 mm	460 x 345 x 575 mm

*Puede haber cambios técnicos y mejoras. Todos los valores son aproximados y pueden variar en función de circunstancias externas tales como la temperatura, la ventilación y la humedad.

PROBLEMA

SOLUCIÓN

El deshumidificador no arranca	<ul style="list-style-type: none"> Asegúrese de que el deshumidificador esté conectado a la toma y de que el fusible no se haya fundido. Si el icono del símbolo está encendido, compruebe que el depósito de agua esté vacío y correctamente colocado en el deshumidificador. Asegúrese de que el flotador cuelga libremente. Compruebe que se visualiza el valor de la humedad en el panel de control de la máquina al activar el panel. El deshumidificador debe iniciarse en un plazo de 5 minutos si es superior al valor establecido. Desenchufe el cable de alimentación, espere 10 segundos y vuelva a conectarlo.
El deshumidificador no arranca	<ul style="list-style-type: none"> Asegúrese de que la rueda del ventilador esté girando. Asegúrese de que el aire pueda fluir libremente por el deshumidificador. Las emisiones y los filtros de aire deben estar limpios, y el deshumidificador debe estar, al menos, a 20-30 cm de la pared. Escuche si el compresor está funcionando, pero tenga en cuenta que puede estar en un ciclo de descongelación, lo que hará que el compresor se detenga temporalmente. Espere unos 30 minutos. Compruebe que no se forme una capa gruesa de hielo en las bobinas o rejillas de refrigeración de la parte trasera del filtro.
Alto nivel de ruido o vibración	<ul style="list-style-type: none"> Aumente la distancia entre el deshumidificador y las superficies circundantes. Las bobinas de refrigeración pueden hacer contacto entre sí y causar vibraciones. Desconecte el deshumidificador de la toma de corriente y separe los circuitos.
No se recoge agua condensada	<ul style="list-style-type: none"> Compruebe que no haya suciedad, etc., depositada en la bandeja de goteo que hay bajo de las bobinas de refrigeración, y límpiela en caso necesario. Compruebe que la temperatura esté por encima de 2 °C o por debajo de 35 °C.
No se apaga cuando el depósito de agua está lleno	<ul style="list-style-type: none"> Es importante que el flotador se mueva libremente en el depósito de agua. Si no lo hace, es posible que no detecte el nivel del agua, lo que garantiza que el deshumidificador se detenga.
Código de error E2	<ul style="list-style-type: none"> Si aparece el código E2 en la pantalla, el sensor de humedad puede estar defectuoso. Pruebe a desenchufar el cable de alimentación, espere 10 segundos y vuelva a conectarlo. Si el código de error persiste, póngase en contacto con su distribuidor.

Si tiene algún problema con el deshumidificador, consulte la guía de detección y resolución de problemas. Si nada de lo anterior funciona, póngase en contacto con su distribuidor para que revise el deshumidificador.

WOOD'S: UNO LOS DESHUMIDIFICADORES LÍDERES DEL MUNDO

Wood's ha gozado de una fama como líderes del mercado en materia de deshumidificación durante muchos años. Nuestros eficientes deshumidificadores ofrecen un bajo consumo de energía y son aptos para su uso en los climas más exigentes, donde es necesaria la deshumidificación incluso a temperaturas y niveles de humedad más bajos.

Nuestros deshumidificadores ofrecen resultados óptimos en lugares con humedad, como sótanos, garajes, casas de verano, cuartos de lavado, semisótanos y zonas de piscinas cubiertas. Una de las ventajas adicionales que ofrece es su capacidad para secar de forma eficaz la ropa y los textiles sin desgastarlos.

La cantidad de humedad que el deshumidificador elimina depende de la temperatura, del nivel de humedad y de la ubicación. Las condiciones climáticas externas también afectan al rendimiento del deshumidificador. En climas fríos, la humedad relativa en interiores disminuye, lo que reduce la absorción de humedad del deshumidificador del aire. Por lo tanto, el deshumidificador está adaptado para su uso en el intervalo de temperatura de +2 °C a +35 °C. Los deshumidificadores de Wood's son seguros y están diseñados para funcionar continuamente durante muchos años.

HUMEDAD EXCESIVA EN EL AIRE: UN PELIGRO

La condensación se produce cuando el vapor de agua que hay presente en el aire entra en contacto con una superficie fría, como un techo, una ventana o una pared. Cuando el vapor de agua se enfría, se produce condensación, por lo que se forman gotas de agua. Cuando la humedad es alta, el aire puede estancarse y se forma moho que daña la casa y su interior. Este ambiente también puede provocar enfermedades de los habitantes cuando, entre otras cosas, los ácaros prosperan en un ambiente húmedo. Un deshumidificador con un alto rendimiento crea un nivel de humedad óptimo y saludable. Para lograr el mejor efecto posible, las puertas y ventanas de los espacios que hay que deshumidificar deben estar cerradas. El deshumidificador elimina el mal olor, seca la madera y elimina la humedad de los equipos deportivos para uso al aire libre, etc. Se puede utilizar el deshumidificador en sótanos, cuartos de lavado, garajes, caravanas, casas de verano y barcos. Si el deshumidificador se utiliza en entornos más fríos, eche un vistazo a las sugerencias que se incluyen al final de las instrucciones de uso.

¡NOTA!

Cuando se coloca en una ducha o zona de baño, el deshumidificador debe fijarse en su sitio. Es obligatorio comprobar y respetar la normativa eléctrica local en materia de cuartos de baño antes de su uso.

USO DE LOS DESHUMIDIFICADORES DE WOOD'S

Si el deshumidificador se transporta horizontalmente, déjelo en posición vertical durante 4 horas antes de usarlo. Es muy importante que el aceite circule hacia el compresor, ya que, de lo contrario, el deshumidificador puede sufrir daños graves. Los deshumidificadores de Wood's son fáciles de mover cuando están equipados con ruedas. Basta con tener cerca una toma de corriente para 220-240 V, pero hay que tener en cuenta lo siguiente:

El deshumidificador no debe colocarse cerca de radiadores ni de otras fuentes de calor, ni debe exponerse a la luz directa del sol, ya que ello reducirá su rendimiento.

- Puede utilizar un radiador o un calefactor para mantener la temperatura por encima de +2 °C.
- El deshumidificador debe colocarse al menos a 25 cm de distancia de las paredes y de otras obstrucciones para garantizar el máximo flujo de aire.
- Lo ideal es colocar el deshumidificador en la zona más central de la estancia o de la zona en la que vaya a ubicarse.

1. Compruebe que el depósito de agua esté colocado correctamente.
2. Conecte el deshumidificador a una toma de corriente con conexión a tierra.
3. Elija el programa de humedad deseado o el nivel de humedad utilizando el panel de control. Consulte la sección sobre la descripción de la función.

¡NOTA!

Cuando el deshumidificador se apaga, tarda 5 minutos en reiniciarse.

FLOTADOR

El flotador consta de un cilindro blanco de plástico suspendido por dos cables que cuelgan de dos brazos. El flotador es flotante y se eleva cuando sube el nivel del agua. Cuando el flotador alcanza una altura determinada, el deshumidificador lo detecta y se apaga automáticamente para no desbordarse. Cuando se vacía el depósito de agua, hay que devolverlo a su posición de la siguiente manera:

VACIADO DE LOS RECIPIENTES DE AGUA

1. Cuando el depósito de agua esté lleno, tire suavemente hacia fuera y vacíe el contenido en el desagüe.
2. Vuelva a colocar el recipiente de agua hasta que toque el flotador.
3. Levante el borde inferior del depósito de agua para inclinar ligeramente el depósito de agua.
4. Finalmente, introduzca el depósito de agua presionando ligeramente. Ahora el flotador debe estar dentro del depósito de agua, en lugar de estar sujeto por detrás de este.

¡NOTA!

Es importante que el flotador cuelgue libremente, ya que su propósito es detectar el nivel de agua del depósito y garantizar que el deshumidificador se apague cuando el nivel es alto. Un flotador mal colocado puede hacer que el depósito de agua se desborde.

DRENAJE DEL AGUA AL SISTEMA DE DESAGÜE

1. Desconecte el deshumidificador de la toma de corriente y retire el depósito de agua para acceder a la conexión roscada que hay bajo la bandeja de goteo.
2. Coloque el acople de la manguera en el conector roscado y lleve la manguera hasta el desagüe. Asegúrese de que la manguera esté por debajo de la bandeja de goteo.
3. Enchufe el deshumidificador a la corriente.
4. Sin manguera y directamente al desagüe: Coloque el deshumidificador directamente sobre el desagüe de manera que el agua condensada pueda gotear a través del orificio que hay en la parte inferior del deshumidificador e irse por el desagüe.

APAGADO AUTOMÁTICO

Cuando el depósito de agua está lleno, el deshumidificador se apaga automáticamente, lo que indica que debe vaciarse el depósito de agua antes de que pueda usar de nuevo el deshumidificador. Consulte la descripción de la función.

1. Desconecte el deshumidificador de la toma de corriente.
2. Vacíe el depósito de agua.
3. Sustituya el depósito de agua vacío y asegúrese de que el flotador cuelgue libremente; consulte la sección Flotador.
4. Conecte el deshumidificador a la toma de corriente. El deshumidificador se reiniciará en el mismo modo en el que se encontraba cuando se desconectó.

FILTRO DE AIRE

El filtro de aire de la parte trasera del deshumidificador garantiza que las bobinas de refrigeración se mantengan libres de polvo. Es importante que el filtro se mantenga limpio para que el aire pueda fluir libremente a través del deshumidificador. Por lo tanto, debe sustituirse el filtro cuando sea necesario.

El deshumidificador está equipado con un filtro SMF que mejora la capacidad del deshumidificador y que purifica aún más el aire. Consulte las instrucciones para cambiar el filtro de aire. Recomendamos que cambie el filtro al menos una vez al año. Para seguir el programa de garantía, registre su deshumidificador en warranty-woods.com

DESCONGELACIÓN AUTOMÁTICA

Los deshumidificadores de Wood's están equipados con un sistema de control que garantiza que las bobinas de refrigeración se descongelen en caso necesario. El sistema de control apaga el compresor, lo que provoca la detención de la refrigeración de los circuitos. El ventilador continúa extrayendo el aire a temperatura ambiente a través del deshumidificador y, de este modo, se derrite el hielo y el agua fluye y entra en el depósito de agua. Tenga en cuenta que este sistema de control permite que el deshumidificador funcione a una temperatura mínima de +2 °C.

VENTILADOR

El ventilador garantiza que el aire fluya a través del deshumidificador. El aire húmedo se aspira por la parte trasera, pasa por el evaporador y el condensador y sale seco por la parte superior del deshumidificador.

LIMPIEZA Y MANTENIMIENTO

Los deshumidificadores de Wood's precisan de limpieza y de sustitución del filtro para mantener su alta capacidad de deshumidificación.

- La salida de aire se puede aspirar o limpiar con un cepillo. Tenga cuidado de no dañar las rejillas.
- Las bobinas de refrigeración se limpian mejor con un trapo y agua caliente. Hágalo con cuidado.
- El motor del ventilador está lubricado permanentemente y no requiere mantenimiento.

¡NOTA!

Desconecte el cable de alimentación de la toma de corriente antes de realizar tareas de limpieza.

CONSEJOS

- Para obtener la máxima capacidad de deshumidificación en una estancia, se recomienda reducir al mínimo el aire de entrada procedente del exterior y de las estancias contiguas: cierre puertas y compuertas. Si es posible, coloque el deshumidificador en el centro de la estancia.
- Eleve la temperatura de la estancia para que la deshumidificación sea más rápida. (El aire caliente puede transportar más agua). Utilice una protección contra el hielo si la temperatura desciende por debajo de +2 °C.
- El deshumidificador extrae más agua en verano y en otoño porque el aire exterior es caliente y húmedo. (La humedad absoluta suele ser más alta).

- Límites de uso recomendados:
- Cambios de LD de +2 °C a +35 °C
- Humedad relativa: de 30 % a 90 %
- Nivel de humedad recomendado, aprox., 50 % HR

SI EL DESHUMIDIFICADOR REQUIERE UNA PUESTA A PUNTO

Si el deshumidificador requiere una puesta a punto, primero debe ponerse en contacto con el distribuidor. Para cualquier reclamación dentro de la garantía, es preciso presentar una prueba de compra.

¡NOTA!

¡Consiga 10 años de garantía! Regístrese en warranty-woods.com
Cambie el filtro SMF al menos una vez al año. Visite woods.se para obtener más información

GARANTÍAS

Garantía de 2 años por fallos de fabricación. Tenga en cuenta que la garantía solo es válida tras la presentación de una prueba de compra.

¡IMPORTANTE!

El deshumidificador de Wood's debe conectarse a una toma de corriente con conexión a tierra y con una tensión de 220V-240V y 50 Hz.

GARANTÍA**PARA OBTENER UNA GARANTÍA AMPLIADA DE 2 A 10 AÑOS, SIGA ESTOS PASOS.**

1. Registre su deshumidificador después de su compra en warranty-woods.com.
2. Cambie el filtro SMF de su deshumidificador con regularidad, al menos una vez al año. Si lo desea, le enviaremos un recordatorio cuando haya que cambiar el filtro. Por supuesto, el recordatorio es gratuito. Puede encontrar filtros a través de su minorista o distribuidor local. Visite woods.se para localizar a su distribuidor de Wood's más cercano.

¡NOTA!

No tiene obligación alguna de comprar filtros cuando registra su deshumidificador en warrantywoods.com

¡GUARDE SUS RECIBOS!

Los necesitará para cualquier reclamación de garantía durante el periodo de vigencia de esta.





KASUTUSJUHEND

Tuleohtlik materjal. Antud seade sisaldab kergestisüttivat külmutusagensi R290/propaan.



Vaadake operaatori kasutusjuhendit.



Lugege tehnilist juhendit

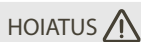


Lugege operaatori kasutusjuhendit.

OHUTUSALANE TEAVE

Enne seadme paigaldamist ja kasutamist lugege komplektis olev juhend hoolikalt läbi. Tootja ei ole vastutav, kui vale paigaldus ja kasutus toob kaasa kehavigastusi ning kahjusid. Hoidke kasutusjuhend tulevikus kasutamiseks alati seadme juures.

LASTE JA HAAVATAVATE ISIKUTE OHUTUS



HOIATUS
Kehavigastuste või püsiva tervisekahjustuse oht.

Antud seadet võivad kasutada 8-aastased ja vanemad lapsed ning vähenenud füüsiliste, sensoorsete või vaimsete võimetega isikud või vastavate kogemusteta ja teadmisteta isikud, kui nad teevad seda järelevalve all või neile on õpetatud seadme ohutut kasutamist ning nad mõistavad seonduvaid ohtusid. Ärge laske lastel seadmega mängida. Alla 3-aastaseid lapsi ei tohi lubada seadme juurde, välja arvatud pideva järelevalve korral. Hoidke pakendi kõiki detaile lastele kättesaamatult. Lapsed ei tohi ilma järelevalveta seadet puhastada ja hooldada.

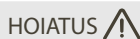
ÜLDINE OHUTUS

Antud seade on mõeldud kasutamiseks majapidamistes ja sellistes kohtades nagu keldrid, vundamendivahed, töötajate kööginurgad poodides, kontorites ning muudes töökohtades. Andmeplaat paikneb õhukuivati veepaagi taga. Vältige ventilatsioonivahede blokeerimist.

Ärge kasutage sulatuse kiirendamiseks mehaanilisi võtteid või muid meetodeid, mis pole tootja poolt soovitatud. Seadet ei tohi hoida ruumis, kus on pidevalt

töötavad süüteallikad (lahtine leek, töötav gaasiseade või elektriline küttekeha jne). Ärge torgake läbi ega põletage. Võtke arvesse, et külmutusagensid võivad olla lõhnutud. Ärge piserdage seadet puhastamiseks veega ega kasutage auru. Puhastage seadet niiske lapiga. Kasutage ainult neutraalseid pesuvahendeid. Ärge kasutage abrasiivseid tooteid, abrasiivseid puhastuslappe, lahusteid ega metallesemeid. Kui toitekaabel on kahjustatud, peab selle ohu vältimiseks välja vahetama tootja, tootja volitatud teeninduskeskus või sarnase kvalifikatsiooniga isikud.

OHUTUSJUHISED

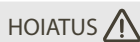


HOIATUS
Antud seadet võib paigaldada ainult kvalifitseeritud isik.

Eemaldage kogu pakkematerjal. Ärge paigaldage ega kasutage kahjustatud seadet. Seade tuleb paigaldada ja seda kasutada ning hoiustada ruumis, mille pindala on suurem kui 4 m². Järgige rangelt seadmega kaasas olevat paigaldusjuhendit. Olge seadme liigutamisel alati ettevaatlik, kuna see on raske. Kandke alati kaitsekindaid.

Veenduge, et õhk pääseks seadme ümber liikuma. Enne seadme elektritoitega ühendamist oodake vähemalt 4 tundi. See võimaldab õil tagasi kompressorisse voolata. Ärge paigaldage seadet radiaatorite või muude küttekehade lähedusse. Ärge paigaldage seadet otsese päikesevalguse kätte.

ELEKTRIÜHENDUS

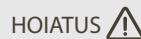


HOIATUS
Tulekahju- ja elektrilöögioht.

Seade tuleb ühendada maandusega pistikupessa. Veenduge, kas elektritoide vastab andmeplaadil esitatud elektriandmetele. Kui ei vasta, võtke ühendust elektrikuga. Kasutage alati õigesti paigaldatud elektrilöögikindlat pistikupessa. Ärge kasutage jaoturadaptereid ega pikendusjuhtmeid. Veenduge, et te ei kahjustaks elektrilisi komponente (nt pistik, kaabel). Elektriliste komponentede vahetamiseks võtke ühendust volitatud teeninduskeskuse või elektrikuga. Juhe peab jääma pistikust madalamale. Ühendage pistik pistikupessa alles paigalduse lõpus. Veenduge, et pärast paigaldamist oleks võimalik pistikule ligi pääseda. Seadme vooluvõrgust

lahti ühendamiseks toitekaablist mitte tõmmata. Eemaldage toitekaabel alati ainult pistikust.

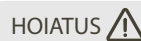
KASUTUS



HOIATUS
Kehavigastuste, põletuste, elektrilöögi või tulekahju oht.

Ärge muutke selle seadme tehnilisi omadusi. Olge ettevaatlik, et mitte kahjustada külmutusagensi torustikku. See sisaldab propaani (R290), looduslikku gaasi, millele rakenduvad ranged keskkonnanõuded. See gaas on kergestisüttiv. Kui külmutusagensi torustik saab vigastada, kindlustage, et ruumis ei oleks lahtist tuld ega süüteallikaid. Ohutage ruumi. Ärge pange seadme lähedale ega selle peale kergestisüttivaid tooteid ega esemeid, mis on kergestisüttivate vedelikega koos.

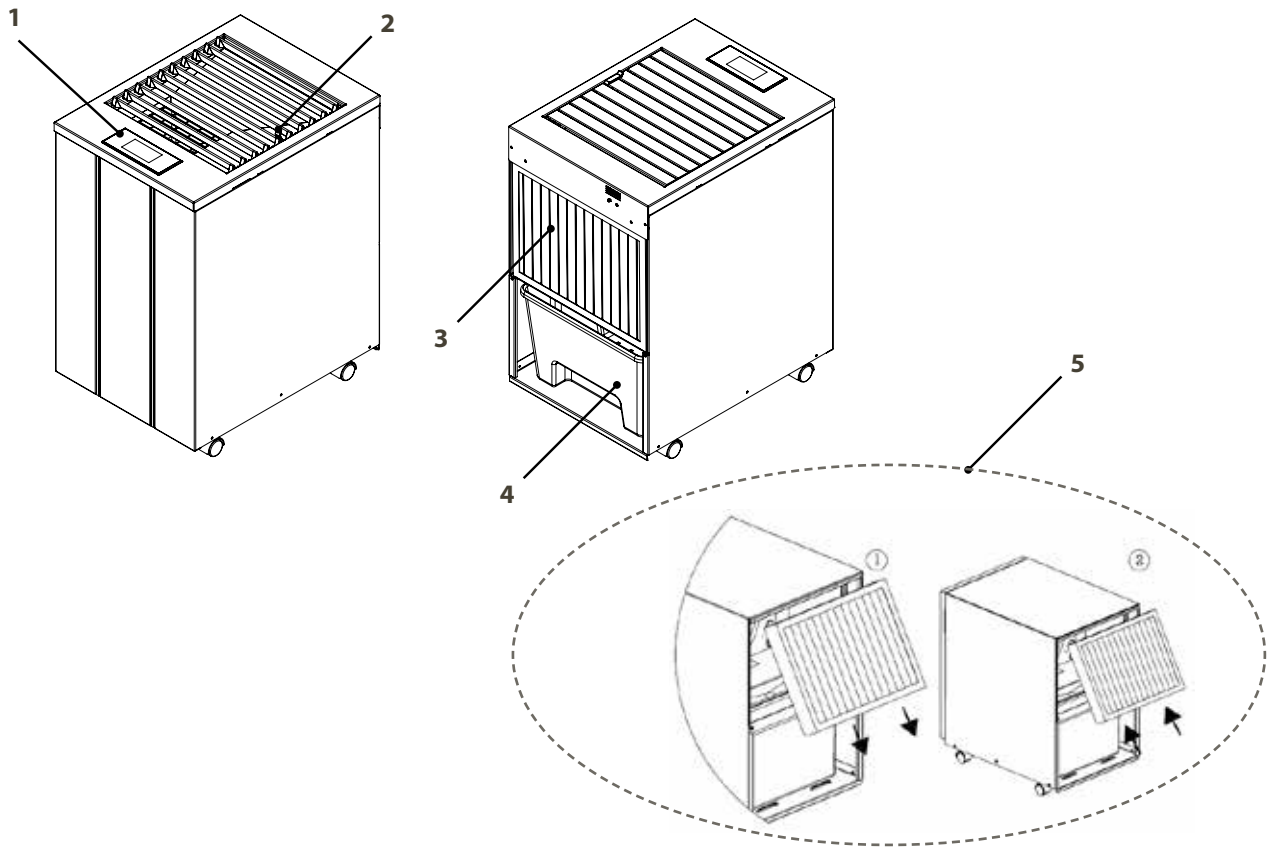
KASUTUSELT KÕRVALDAMINE



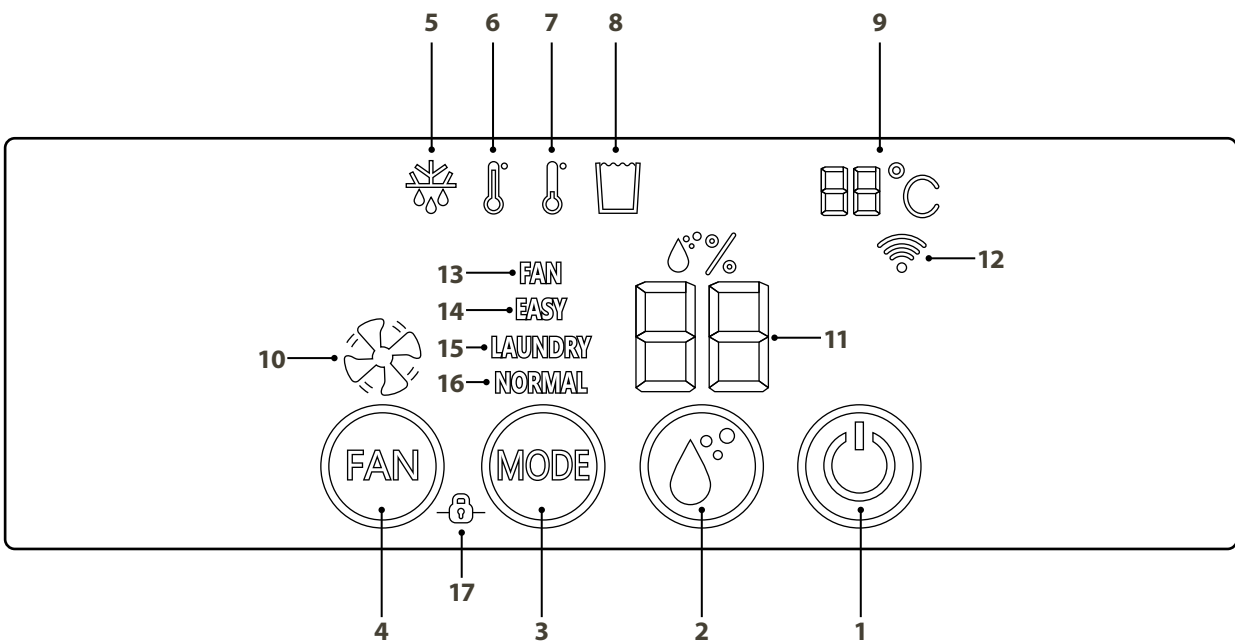
HOIATUS
Kehavigastuste oht.

Ühendage seade vooluvõrgust lahti. Eemaldage elektritoitekaabel ja kõrvaldage see kasutuselt. Antud seadme külmutusagensisüsteem on osoonisõbralik. Võtke ühendust vastava kohaliku asutusega, et saada teavet seadme nõuetekohase kasutuselt kõrvaldamise kohta. Ärge kahjustage jahutusseadme osa, mis paikneb soojustaheti lähedal.

A.



B.



TOOTE KIRJELDUS

A.

1. Juhtpaneel
2. Liigutatav klapp õhuvoolu avamiseks/sulgemiseks/suunamiseks
3. Õhufilter
4. Veepaak
5. Õhufiltri vahetus"

B.

JUHTPANEEL -
FUNKTSIOONI KIRJELDUS

LD-seeria õhukuivatid on varustatud intuiitiivse juhtpaneeliga, et neid oleks lihtne ja mugav kasutada. Pange tähele, et juhtpaneel läheb jõuderežiimi 20 sekundit pärast toitepinge ühendamist või pärast viimast sisendit ja see pannakse jälle käima, puudutades funktsiooniklahvide asukoha ala. Kõik klahvivajutused kinnitatakse piiksuga

FUNKTSIOONIKLAHVID

1. SEES/VÄLJAS - Lülitab õhukuivati sisse ja välja. Väljalülitatud olekus on energiatarbimine 0,5 W.
2. Soovitava niiskuse seadistamine - Ainult aktiivne programmi režiimides „Normaalne“ ja „Ventilaator“. Soovitud niiskus võib seadistada 1 protsendipunkti sammuga vahemikus 35-75%. Seadistatud väärtus kuvatakse esmalt fikseerituna ja seejärel vilgub see enne tegeliku väärtuse uuesti ilmumist.
3. Režiimi valik – tööprogrammi valik, vt punkte 13-16 allpool.
4. Ventilaatori kiirus – Ventilaatori kiirus võib režiimides „Normaalne“ ja „Ventilaator“ olla seadistatud madalale või suurele kiirusele. Kiiruste vahetamine toimub mõne sekundi viivitusega.

HÄIRE / TEAVE

5. Sulatamine – Vajaduse korral sulatatakse jahutusahel automaatselt, kusjuures kompressor lülitatakse välja ja ainult ventilaator töötab. Sümbol kustub, kui õhu kuivatamise protsess taaskäivitatakse.
6. Ümbritseva õhu liiga suur temperatuur – kui ümbritseva õhu temperatuur ületab 35 °C, lülitub õhu kuivatamise protsess välja ja see taastub automaatselt, kui ümbritseva õhu temperatuur langeb alla 35 °C. Sümbol on valgustatud seni, kuni temperatuur on 35 °C või suurem.
7. Liiga madal toatemperatuur – kui ümbritseva õhu temperatuur on alla 2 °C, lülitub õhu kuivatamise protsess välja ja see taastub automaatselt, kui ümbritseva õhu temperatuur tõuseb üle 2 °C. Sümbol on valgustatud seni, kuni temperatuur on 2 °C või väiksem.
8. Kondensaadipaak täis – kui paak saab täis, aktiveeritakse kuuldav helisignaal 20 sekundiks ja sümbol süttib. Kui veepaak tühjendatakse ja paigutatakse ümber, lähtestatakse tööprogramm automaatselt. Veenduge, et ujuk ripuks paagis vabalt.
9. Toatemperatuur – Kuvab ümbritseva õhu tuvastatud temperatuuri.
10. Ventilaatori kiirus – Ventilaator ja kriipsud näitavad suurt kiirust ja ainult ventilaator näitab madalat kiirust.
11. Suhteline niiskus – Näitab praeguseid ja soovitud sihtväärtusi. Viimane on seotud sihtväärtuse seadistusega.
12. WiFi – Näitab, kui WiFi on ühendatud. Kehtib ainult selle funktsiooniga varustatud mudelite puhul.

TÖÖREŽIIMID

13. Ventilaatori režiim – Kasutatakse pideva õhuringluse soovi korral. Saab määrata ventilaatori kiiruse ja niiskuse sihtväärtuse. Kui määratud sihtväärtus on saavutatud, lülitatakse taaskäivitamiseks välja ainult kompressor, kui niiskustase tõuseb.
14. Mugavusrežiim (EASY) – Õhukuivati eesmärk on saavutada 50% suhteline õhuniiskus, kui ventilaator on seatud madalale kiirusele. Kui määratud sihtväärtus on saavutatud, lülitatakse välja kompressor ja ventilaator ning taaskäivitamine toimub üle 50% õhuniiskuse saavutamisel.
15. Pesukuivatusrežiim (LAUNDRY) – Õhu kuivatamise protsess töötab ventilaatori suure kiirusega seni, kuni see lülitatakse käsitsi välja või kuni režiimi muudetakse.
16. Normaalrežiim (NORMAL) – Kasutatakse niiskuse ja ventilaatori kiiruse sihtväärtuse käsitsi seadistamiseks. Kui määratud sihtväärtus on saavutatud, lülitatakse kompressor ja ventilaator välja ning taaskäivitamine toimub siis, kui õhuniiskuse tõuseb üle sihtväärtuse.
17. Lukustusfunktsioon – Kasutatakse seadistuste tahtmatu muutmise vältimiseks. Lukustusfunktsioon töötab FAN (VENTILAATOR) ja MODE (REŽIIM) klahve samaaegselt 3 sekundit vajutades. Lukustusfunktsiooni keelamine toimub samamoodi.

TEHNILISED ANDMED	LD40	LD44	LD48PRO+
Max tööala	100 m ²	140 m ²	180 m ²
Õhuvool 1. režiimil	200 m ³ /h	160 m ³ /h	160 m ³ /h
Õhuvool 2. režiimil	350 m ³ /h	300 m ³ /h	300 m ³ /h
Tootlikkus 20 °C ja 70% suhtelise õhuniiskuse juures	7,5 L/24h	11 L/24h	16 L/24h
Tootlikkus 30 °C ja 80% suhtelise õhuniiskuse juures	13 L/24h	19 L/24h	31 L/24h
Võimsus temperatuuril 20 °C ja 70% suhtelise õhuniiskuse juures	180 W	285 W	450 W
Energiatarbimine 20 °C ja 70% suhtelise õhuniiskuse juures	4,3 kWh/24 h	8 kWh/24 h	9,1 kWh/24 h
Paagi maht	11 l	11 l	11 l
Külmutusagens	R290	R290	R290
Külmutusagensi vahetus	99 g	115 g	130 g
Pinge	230 V	230 V	230 V
Sagedus	50 Hz	50 Hz	50 Hz
Kaitse	10 A	10 A	10 A
IP-klass	X1	X1	X1
Mõõtmed (P x L x K)	460 × 345 × 575 mm	460 × 345 × 575 mm	460 × 345 × 575 mm

* Tootja võib teha tehnilisi muudatusi ja täiustusi. Kõik väärtused on ligikaudsed ning võivad varieeruda olenevalt sellistest välistest teguritest nagu temperatuur, ventilatsioon ja niiskus.

PROBLEEM

LAHENDUS

Õhukuivati ei käivitu	<ul style="list-style-type: none"> • Veenduge, et õhukuivati on pistikupesaga ühendatud ja et kaitse ei ole katki. • Kui sümboli ikoon on süttinud, kontrollige, kas veepaak on tühi ja õhukuivatisse õigesti paigutatud. Veenduge, et ujuk ripub vabalt. • Kontrollige, et masina juhtpaneeli niiskusväärtus paneeli nn ülesärkamisel ka kuvatakse. Õhukuivati peab tööle hakkama 5 minuti jooksul, kui see on seadistatud väärtusest suurem. • Ühendage toitejuhe lahti, oodake 10 sekundit ja ühendage see uuesti külge.
Õhukuivati ei käivitu	<ul style="list-style-type: none"> • Veenduge, et ventilaator pöörleb. • Veenduge, kas õhuvool saab hõlpsalt läbi õhukuivati ringelda. Õhku eralduva saasteaine filtrid ja õhufiltrid peavad olema puhtad ning õhukuivati peab seinast asuma vähemalt 20-30 cm kaugusel. • Kuulake, kas kompressor töötab, kuid pidage meeles, et seade võib olla sulatustsükliis, mis põhjustab kompressori ajutise peatumise. Alustage, oodates umbes 30 minutit. • Kontrollige, et filtri taga asuvatele jahutusradiaatoritele/ribidele ei moodustu paks jääkiht.
Vali müratase/värin	<ul style="list-style-type: none"> • Tõmmake õhukuivati lähedalasuvatest esemetest eemale. • Jahutusradiaatorid võivad omavahel kokku puutuda ja põhjustada vibratsiooni. Eemaldage õhukuivati pistikupesast ja eraldage silmused
Kondensaadi vesi ei kogune	<ul style="list-style-type: none"> • Kontrollige, et jahutusradiaatorite all asuvale tilkuvale vee alusele ei ladestu mustust jms, vajaduse korral puhastage seda. • Kontrollige, et temperatuur oleks üle 2 °C või alla 35 °C.
Ei lülitu välja, kui veepaak on täis	<ul style="list-style-type: none"> • Väga tähts on, et ujuk ripuks veepaagis vabalt. Kui see nii ei ole, ei pruugi see tajuda, kus veetase on, tagades, et õhukuivati peatub.
Tõrkekood E2	<ul style="list-style-type: none"> • Kui ekraanil on kuvatud E2, võib niiskusandur olla defektnine. Proovige toitejuhe lahti ühendada, oodake 10 sekundit ja ühendage see uuesti külge. Kui tõrkekood püsib, võtke ühendust edasimüüjaga.

Kui teil on oma õhukuivatiga probleeme, vaadake tõrkeotsingu juhendit. Kui ülaltoodust miski ei tööta, võtke õhukuivati remondiks ühendust edasimüüjaga.

WOOD'SI ÕHUKUIVATID ON MAAILMA PARIMATE HULGAS

Wood's on juba aastaid tuntud õhukuivatuse turuliidrina. Meie tõhusad õhukuivatid tagavad vähese energiatarbimise ja sobivad kasutamiseks ka õhukuivatamise vajadusega kõige karmimates tingimustes, ka madalamatel temperatuuridel ja niiskustasemetel.

Meie õhukuivatid tagavad niisketes kohtades (nt keldrid, garaažid, suvilad, pesuruumid, poolkeldrid ja sisebasseini alad) optimaalsed tulemused. Lisaks on kasulik ka veel nende võimekus riideid ja tekstiili tõhusalt kuivatada ilma neid ära kulutamata.

Niiskuse kogus, mille õhukuivati ruumi õhust kokku kogub, sõltub ruumi temperatuurist, niiskustasemest ja seadme asukohast. Õues valdav ilm mõjutab ka õhukuivati jõudlust. Külma ilmaga suhteline õhuniiskus siseruumides langeb, vähendades seega õhukuivati niiskusabsorptsiooni õhust. Õhukuivati on ette nähtud kasutamiseks ruumides temperatuuril + 2°C kuni + 35°C. Ettevõtte Wood's õhukuivatid on ohutud ja ette nähtud pideval režiimil aastaid töötama.

LIIGNE ÕHUNIISKUS ON OHTLIK

Kui õhus leiduv veeaur puutub kokku külma pinnaga, nagu lagi, aken või sein, muutub see kondensaadiks. Kui veeaur maha jahtub, toimub kondensatsioon, st moodustuvad veepiisad. Suure niiskuse korral võib ilmnedas seisnud õhk ja tekib hallitus, mis kahjustab maja ja selle interjööri. See keskkond võib põhjustada ka elanike haigusi, kui mh niiskes keskkonnas tekivad ka nt lestad. Suure jõudlusega õhukuivati loob optimaalse ja tervisliku niiskustaseme. Parima efekti saavutamiseks tuleb kuivatatavate ruumide ukсед ja aknad hoida kinni. Õhukuivati eemaldab halva lõhna, kuivatab puitu ja eemaldab õues kasutatavast sportivarustusest niiskuse. Õhukuivatit on võimalik kasutada keldrites, pesuruumides, garaažides, haagiselamutes, suvilates ja paatides. Kui õhukuivatit kasutatakse külmemates keskkondades, vaadake lähemalt kasutusjuhendi lõpus esitatud näpunäiteid.

TÄHELEPANU!

Kui kasutate õhukuivatit duširuumis või vannitoas, peab seade olema paika kinnitatud. Enne kasutamist tuleb kontrollida ja järgida vannitubade puhul kehtivaid kohalikke elektriskekirju.

KASUTAGE WOOD'SI ÕHUKUIVATEID

Kui õhukuivatit transporditakse horisontaalselt, jätke see enne kasutamist 4 tunniks püsti seisma. On väga oluline, et õli voolaks tagasi kompressorisse, sest vastasel juhul võib õhukuivati tõsiselt kahju saada. Wood'si õhukuivateid on lihtne teistsaldada, kui need on varustatud ratastega. Vaja on vaid 220-240 V pistikupesaga, kuid pidage järgmist meeles:

Õhukuivatit ei tohi asetada radiaatori ega muu kütteseadme kõrvale ega otsese päikesevalguse kätte, sest see vähendab seadme tööjõudlust.

- Temperatuuri hoidmiseks üle + 2 °C võite kasutada radiaatorit või kütteventilaatorit.
- Maksimaalse õhuvoolu tagamiseks tuleb õhukuivati paigutada seintest ja muudest takistustest vähemalt 25 cm kaugusele.
- Ideaalne on õhukuivati paigutada ruumi/piirkonna puhul võimalikult kesksesse kohta.

1. Kontrollige, kas veepaak on õigesti paigutatud.
2. Ühendage õhukuivati maandatud elektritoiteallikasse.
3. Valige juhtpaneeli abil soovitud niiskustprogramm või niiskuse tase. Vaadake funktsiooni kirjelduse jaotist.

NB!

Kui õhukuivati lülitub välja, läheb enne taaskäivitamist aega 5 minutit.

UJUK

Ujuk koosneb valgest plastiksilindrist, mis on kahel kangi õlal kahe juhtmega üles riputatud. Ujuk on uppumatu ja kui veetase tõuseb, tõuseb ka ujuk üles. Kui ujuk on saavutanud teatud kõrguse, tuvastab õhukuivati selle asjaolu ja lülitub üleujutuste vältimiseks automaatselt välja. Veepaagi tühjendamisel tuleb see järgmiselt tagasi oma asendisse panna:

VEEPAAKIDE TÜHJENDAMINE

1. Kui veepaak on täis, tõmmake seda õrnalt väljapoole ja tühjendage see äravoolu.
2. Lükake veepaaki tagasi sisse, kuni see puudutab ujukit.
3. Tõstke üles veepaagi alumine serv, et veepaaki veidi kallutada.
4. Lükake veepaak viimasena sisse. Ujuk peaks nüüd olema jõudnud veepaaki (mitte selle taha kinni jääma).

TÄHELEPANU!

On oluline, et ujuk ripub vabalt, sest selle eesmärk on tuvastada paagi veetaset ja tagada, et õhukuivati lülitub kõrge taseme korral välja. Valesti paigutatud ujuk võib põhjustada veepaagi ülevoolu.

KALLAKE VESI KANALISATSIOONI

1. Et pääseda tilkva vee aluse all asuva keermestatud ühenduse juurde, eemaldage õhukuivati pistikupesast ja eemaldage veepaak.
2. Kinnitage vooliku haakeseadis keermestatud pistiku külge ja sisestage voolik äravoolu. Veenduge, et voolik asuks tilkva vee alusest madalam.
3. Sisestage õhukuivati pistik pistikupesaga.
4. Ilma voolikuta ja otse üle äravoolu: Asetage õhukuivati otse drenaažipaiga kohale nii, et kondensvesi tilguks seadme põhjas asuva augu kaudu otse drenaažikohta.

AUTOMAATNE VÄLJALÜLITUS

Kui veepaak saab täis, lülitub õhukuivati automaatselt välja, andes märku asjaolust, et enne õhukuivati uuesti kasutamist tuleb veepaak tühjendada. Vaadake funktsiooni kirjeldust.

1. Eemaldage õhukuivati pistikupesast.
2. Tühjendage veepaak.
3. Pange tühjendatud veepaak tagasi oma kohale ja veenduge, et ujuk ripub vabalt, vaadake ujuki jaotist.
4. Ühendage õhukuivati pistikupesaga. Õhukuivati taaskäivitub samas režiimis kui see lahtiühendamisel oli.

ÕHUFILTER

Õhukuivati taga asuv õhufilter kaitseb kondensaatori radiaatorit tolmu eest. Tähtis on, et filter oleks alati puhas ja õhuvool saaks vabalt läbi õhukuivati liikuda. Seetõttu tuleks filter vajaduse korral asendada.

Õhukuivati on varustatud SMF-filtriga, mis parandab selle võimsust õhu täiendava puhastamisega. Vaadake õhufiltri vahetamise juhiseid. Soovitame vähemalt ühte filtrivahetust aastas. Garantiiprogrammi järgimiseks registreerige oma õhukuivati aadressil warranty-woods.com

AUTOMAATSULATUS

Ettevõtte Wood's õhukuivatid on varustatud juhtsüsteemiga, mis tagavad vajaduse korral jahutusradiaatorite ülessulutamise. Juhtseade lülitab kompressori välja, mistõttu silmuse jahutus lülitub välja. Ventilator jätkab toatemperatuuri õhu suunamist läbi õhukuivati ja võimaldab jää ära sulada, vesi aga voolab paaki. Pange tähele, et see juhtsüsteem võimaldab õhukuivatil töötada nii madalatel temperatuuridel kui seda on + 2°C

VENTILAATOR

Ventilaator paneb õhu läbi kuivati ringlema. Niiske õhk imetakse tagant sisse, läbi aurusti ja kondensaatori ning lastakse kuivalt õhukuivatil lahti.

HOOLDUS JA PUHASTUS

Säilitamiseks õhu kuivatamisel nende suure võimekuse, tuleb ettevõtte Wood's õhukuivateid puhastada ja nende filtreid vahetada.

- Õhuväljalaskeava saab puhastada tolmuimeja või harjaga. Olge ettevaatlik, et vältida ribide kahjustamist.
- Jahutusradiaatorit on kõige parem puhastada sooja vee ja lapiga. Olge ettevaatlik.
- Ventilaator on määritud püsiväärdel ja see ei vaja hooldust.

TÄHELEPANU!

Enne puhastamist ühendage toitejuhe pistikupesast lahti.

NÄPUNÄITEID

- Ruumis õhu kuivatamise maksimaalse töövõime tagamiseks soovime vähendada õuest ja külgnevatest ruumidest tulevat õhuvoolu – sulgege uksed ja ventilaatorid. Kui võimalik, asetage õhukuivati ruumi keskele.
- Õhu kiiremaks kuivatamiseks muutke toatemperatuur soojemaks. (Kuum õhk suudab kanda rohkem vett). Kasutage külmakaitset, kui temperatuur langeb alla + 2 °C
- Õhukuivati eraldab suvel ja sügisel rohkem vett, sest õues on õhk soe ja niiske. (Absoluutne õhuniiskus on tavaliselt kõrgem).
- Soovitavad kasutuspiirangud:
- Temp. LD + 2°C kuni + 35°C
- Suhtelise õhuniiskuse tase: 30% kuni 90%
- Soovitav niiskustase u 50% suhtelist õhuniiskust

KUI ÕHUKUIVATI VAJAB REMONTI

Kui õhukuivati on vaja remontida, pöörduge esmalt jaemüüja poole. Kõikide garantiinõuete puhul on ostutõend nõutav.

TÄHELEPANU!

Saate 10-aastase garantii! Registreerige seade aadressil warranty-woods.com ja vahetage SMF-filtrit vähemalt kord aastas. Rohkem teavet leiäte veebisaidilt woods.se

GARANTII

2-aastane tootmisdefektide garantii. Juhime teie tähelepanu sellele, et garantii kehtib ainult ostutšeki esitamisel

OLULINE!

Õhukuivati Wood's tuleb ühendada maandatud pistikupesaga, mille pinge on 220V-240V 50Hz.

GARANTII**2-10-AASTASE PIKENDATUD GARANTII
SAAMISEKS JÄRGIGE NEID SAMME.**

1. Pärast ostmist registreerige oma õhukuivati aadressil warranty-woods.com
2. Asendage oma õhukuivati SMF-filter regulaarselt, vähemalt kord aastas. Soovi korral saadame teile filtri vahetamise tähtajal meeldetuletuse. Meeldetuletus on muidugi tasuta. Filtrid leiate kas kohaliku jaemüüja või levitaja juurest. Wood'si lähima edasimüüja leidmiseks külastage saiti woods.se.

MÄRKUS!

Registreerides oma õhukuivati aadressil warrantywoods.com, filtrite ostmise kohustus puudub.

HOIDKE OSTUTŠEKID ALLES!

Need on perioodi jooksul mis tahes garantiinõude puhul vajalikud.





KÄYTTÖOHJE

Tulenarkaa materiaalia. Laitte sisältää R290-propania, joka on helposti syttyvä kylmäaine.



Katso käyttöohjetta.



Lue tekninen käsikirja



Lue käyttöohje.

TURVALLISUUSTIEDOT

Lue mukana toimitetut ohjeet huolellisesti ennen laitteen asentamista ja käyttöä. Valmistaja ei ole vastuussa, jos virheellinen asennus ja käyttö aiheuttavat vammoja ja vahinkoja. Säilytä ohjeet aina laitteen kanssa myöhempiä käyttöä varten.

LASTEN JA TOIMINTAKYVYLTÄÄN HEIKKOJEN IHMISTEN TURVALLISUUS

VAROITUS ⚠️

Vamman tai pysyvän vamman riski.

Vähintään 8-vuotiaat lapset sekä henkilöt, joilla on heikentynyt fyysinen, psyykinen tai henkinen toimintakyky tai vähän kokemusta tai osaamista, voivat käyttää laitetta, jos heille on annettu ohjeet laitteen turvallisesta käytöstä ja he ymmärtävät käytön riskit. Älä anna lasten leikkiä laitteella.

Alle 3-vuotiaat lapset on pidettävä loitolla laitteesta, ellei heitä valvota jatkuvasti. Säilytä kaikki pakkausmateriaalit pois lasten ulottuvilta. Lapset eivät saa puhdistaa laitetta tai tehdä ylläpitotoimia ilman valvontaa.

YLEINEN TURVALLISUUS

Laitte on tarkoitettu käytettäväksi kotitalouksissa ja vastaavissa käyttökohteissa, kuten kellareissa, ryömintätiloissa, myymälöiden henkilökunnan keittiötiloissa, toimistoissa ja muissa työympäristöissä. Arvokilpi sijaitsee kosteudenpoistajan vesisäiliön takana. Älä peitä tuuletusaukkoja.

Älä nopeuta sulatusprosessia käyttämällä mekaanisia laitteita tai muita keinoja, paitsi valmistajan suosittelemaa. Laitetta ei saa säilyttää huoneessa, jossa on jatkuvasti toimivia sytytyslähdeitä (avotuli, käynnissä oleva kaasulaite, sähkölämmitin tms.). Ei saa puhkaista tai polttaa. Huomaa, että kylmäaineissa ei välttämättä ole tuoksua. Älä puhdistaa

laitetta vesisuihkulla tai -höyryllä. Puhdista laite kostealla pehmeällä liinalla. Käytä vain neutraaleja pesuaineita. Älä käytä hankaavia tuotteita, hankaavia puhdistus tyynyjä, liuottimia tai metalliesineitä. Jos virtajohto vahingoittuu, valmistajan, sen valtuuttaman huollon tai vastaavan pätevän henkilön on vaihdettava johto vaaran välttämiseksi.

TURVALLISUUSOHJEET

VAROITUS ⚠️

Laitteen saa asentaa vain pätevä henkilö.

Poista kaikki pakkausmateriaalit. Älä asenna tai käytä vahingoittunutta laitetta. Laitteen asennus-, käyttö- ja varastointitilan pinta-alan on oltava suurempi kuin 4 m². Noudata ehdottomasti laitteen mukana toimitettuja asennusohjeita. Ole varovainen, kun siirrät laitetta, koska se on raskas. Käytä aina suojakäsineitä.

Varmista, että ilma voi vaihtua laitteen ympärillä. Odota vähintään 4 tuntia, ennen kuin kytket laitteen virtalähteeseen. Odotusaikana öljy virtaa takaisin kompressoriiin. Älä asenna laitetta lämpöpattereiden tai muiden lämmönlähteiden lähelle. Älä asenna laitetta suoraan auringonvaloon.

SÄHKÖLIITÄNTÄ

VAROITUS ⚠️

Tulipalon ja sähköiskun vaara.

Laitte on kytkettävä maadoitettuun pistorasiaan. Varmista, että virtalähde vastaa arvokilven sähkötietoja. Jos ei, ota yhteyttä sähköasentajaan. Käytä aina oikein asennettua iskunkestävää pistorasiaa. Älä käytä monen pistorasian jakajia tai jatkojohtoja. Varmista, ettei mikään aiheuta vaurioita sähkökomponenteille (esim. pistoke, johto). Ota yhteyttä valtuutettuun huoltoon tai sähköasentajaan, jos sähkökomponentteihin on tarpeen tehdä muutoksia. Virtajohdon tulee olla alempana kuin pistoke. Kytke pistoke pistorasiaan vasta asennuksen jälkeen. Varmista, että pistokkeelle on vapaa pääsy asennuksen jälkeen. Älä irrota virtajohtoa vetämällä johdosta. Irrota virtajohto aina vain pistokkeesta.

KÄYTTÖ

VAROITUS ⚠️

Vamman, palovamman, sähköiskun ja tulipalon vaara.

Älä muuta laitteen teknisiä määrittämiä. Varo vahingoittamasta kylmäainepiiriä. Se sisältää propania (R290), luonnollista kylmäainetta, jonka ympäristövaikutukset ovat vähäiset. Kaasu on helposti syttyvää. Jos kylmäainepiiri vahingoittuu, varmista, että tilassa ei ole avotulta tai sytytyslähdeitä. Tuuleta tila. Älä laita tulenarkoja tuotteita tai helposti syttyvällä tuotteella kostutettuja esineitä laitteen lähelle tai päälle.

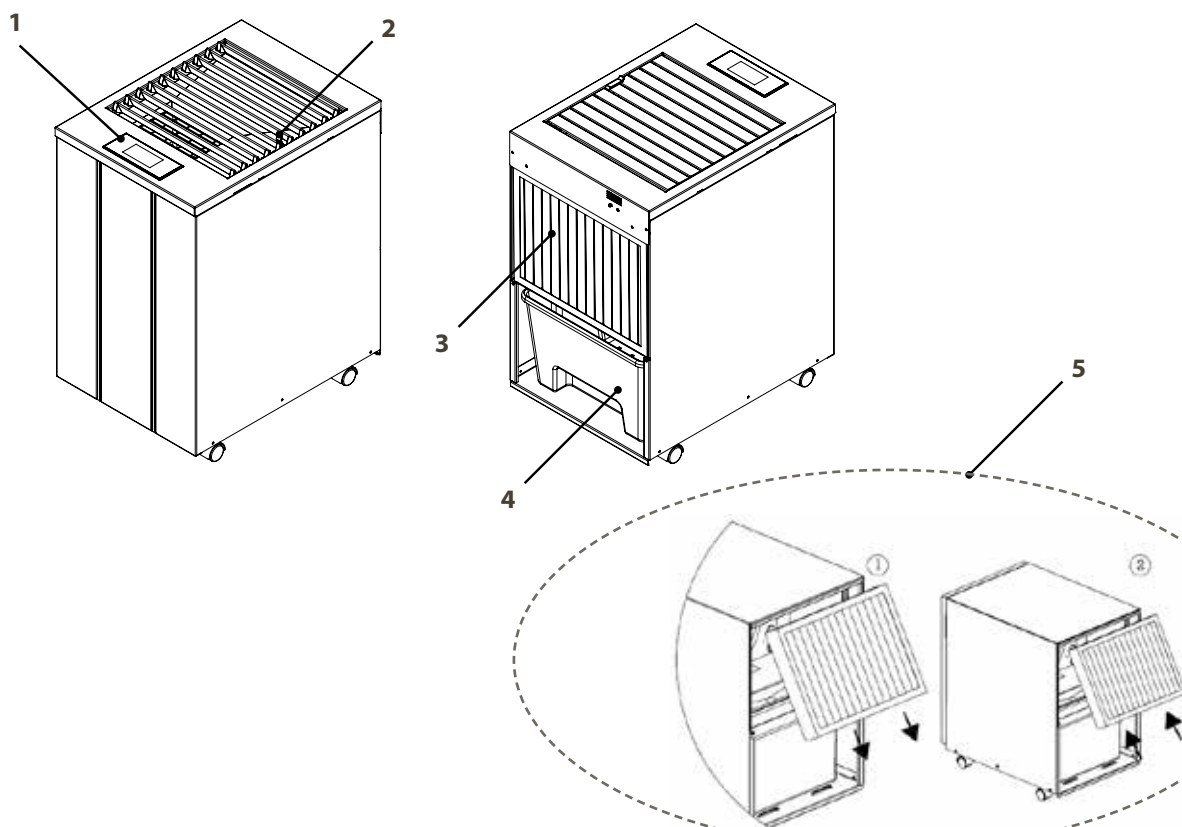
HÄVITTÄMINEN

VAROITUS ⚠️

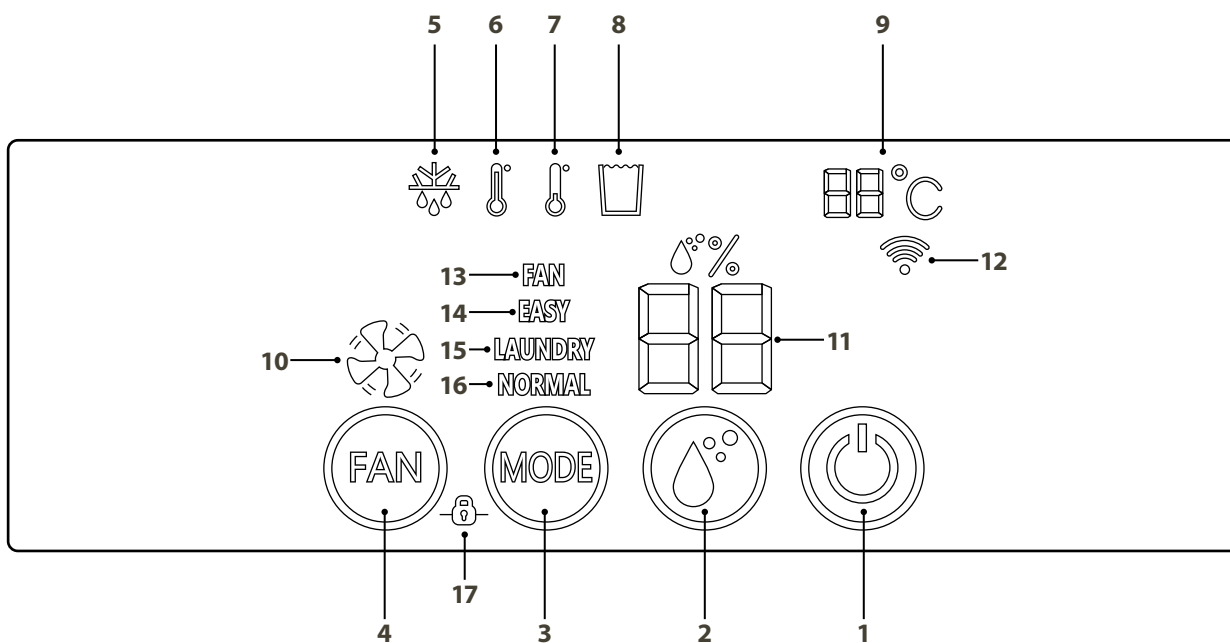
Vamman vaara.

Irrota laite verkkovirrasta. Katkaise virtajohto ja hävitä se. Laitteen kylmäainepiiri ei vahingoita otsonikerrosta. Kysy paikallisilta viranomaisilta ohjeet laitteen asianmukaisesta hävittämisestä. Älä vahingoita lämmönvaihtimen lähellä olevaa jäähdytysyksikön osaa.

A.



B.



TUOTTEEN KUVAUS

A.

1. Ohjauspaneeli
2. Vipu ilmavirran avaamiseen/sulkemiseen/suuntaamiseen
3. Ilmansuodatin
4. Vesisäiliö
5. Ilmansuodattimen vaihto

B.

OHJAUSPANEELI - TOIMINNAN KUVAUS

LD-sarjan kosteudenpoistajissa on intuitiivinen ohjauspaneeli, josta laitetta on helppo ja vaivaton käyttää. Huomaa, että ohjauspaneeli siirtyy lepotilaan 20 sekuntia virran kytkemisen tai viimeisimmän säädön jälkeen, ja se herätetään koskettamalla aluetta, jossa toimintonäppäimet sijaitsevat. Kaikki näppäinpainallukset vahvistetaan äänimerkillä.

TOIMINTOPAINIKKEET

1. Virtakytkin - Kytkee kosteudenpoistajan päälle ja pois päältä. Pois päältä kytkettyä energiankulutus on 0,5 W.
2. Kosteustason valinta - Aktiivinen vain ohjelmatiloissa Normal ja Fan. Kosteustason voi asettaa välillä 35–75 % 1 prosenttiyksikön välein. Asetettu arvo näytetään ensin kiinteänä, ja sen jälkeen se vilkkuu ennen kuin todellinen arvo tulee uudelleen näkyviin.
3. Toimintatilan valinta - Käyttöohjelman valinta, ks.kohdat 13–16 alla.
4. Puhaltimen nopeus - Puhaltimen nopeus voidaan asettaa "Normal"- ja "Fan"-tilassa hitaalle tai nopealle. Nopeuksien välillä vaihtaminen tapahtuu muutaman sekunnin viiveellä.

HÄLYTYKSET / TIEDOT

5. Sulatus - Tarvittaessa jäähdytyspiiri sulatetaan automaattisesti, jolloin kompressori kytkeytyy pois päältä ja vain puhallin on toiminnassa. Symboli sammuu, kun kosteudenpoistoprosessi käynnistetään uudelleen.
6. Liian korkea ympäristön lämpötila – Jos ympäristön lämpötila ylittää 35 °C, kosteudenpoistoprosessi sammuu ja jatkuu automaattisesti, kun ympäristön lämpötila laskee alle 35 °C. Symboli palaa niin kauan kuin lämpötila on 35 °C tai korkeampi.
7. Matala ympäristön lämpötila – Jos ympäristön lämpötila alittaa 2 °C, kosteudenpoistoprosessi sammuu ja jatkuu automaattisesti, kun ympäristön lämpötila nousee yli 2 °C. Symboli palaa niin kauan kuin lämpötila on 2 °C tai matalampi.
8. Kondenssivesisäiliö täynnä – Kun säiliö on täynnä, äänimerkki aktivoituu 20 sekunniksi ja symbolissa palaa valo. Kun vesisäiliö tyhjennetään ja asetetaan uudelleen, ohjelma nollautuu automaattisesti. Varmista, että uimuri roikkuu vapaasti säiliössä.
9. Huonelämpötila – Näyttää havaitun ympäristön lämpötilan.
10. Puhaltimen nopeus - Puhallin ja viivat osoittavat suurta nopeutta ja pelkkä puhallin osoittaa hidasta nopeutta.
11. Suhteellinen kosteus - Näyttää nykyisen tai tavoitearvon. Jälkimmäinen näkyy tavoitearvon asettamisen yhteydessä.
12. WiFi - Ilmaisee, milloin WiFi on yhdistetty. Koskee vain tällä ominaisuudella varustettuja malleja.

KÄYTTÖTILAT

13. Puhallintila (FAN) - Käytetään, jos halutaan jatkuvaa ilmankiertoa. Puhaltimen nopeus ja kosteuden tavoitearvo voidaan asettaa. Kun asetettu tavoitearvo saavutetaan, kompressori kytkeytyy pois päältä ja käynnistyy uudelleen, jos kosteus nousee.
14. Mukavuustila (EASY) - Kosteudenpoistaja pyrkii 50 %:n suhteelliseen kosteuteen, ja puhallin on alhaisella nopeudella. Kun tavoitearvo saavutetaan, kompressori ja puhallin sammuvat ja käynnistyvät uudelleen, jos kosteus nousee yli 50 %:iin.
15. Pyykinkuivaustila (LAUNDRY) - Kosteudenpoistoprosessi toimii puhaltimen suurella nopeudella, kunnes se sammutetaan manuaalisesti tai tilaa vaihdetaan.
16. Normaalityla (NORMAL) – Käytetään, kun halutaan säätää kosteuden tavoitearvo ja puhaltimen nopeus manuaalisesti. Kun tavoitearvo saavutetaan, kompressori ja puhallin sammuvat ja käynnistyvät uudelleen, jos kosteus nousee yli tavoitearvon.
17. Lukitustoiminto - Käytetään estämään asetusten tahaton muuttaminen. Lukitustoimintoa käytetään painamalla FAN- ja MODE-näppäimiä samanaikaisesti kolmen sekunnin ajan. Lukitustoiminnon poistaminen käytöstä tapahtuu samalla tavalla.

TEKNISET TIEDOT	LD40	LD44	LD48PRO+
Toiminta-alue enintään	100 m ²	140 m ²	180 m ²
Ilman läpivirtaus, vaihe 1	200 m ³ /h	160 m ³ /h	160 m ³ /h
Ilman läpivirtaus, vaihe 2	350 m ³ /h	300 m ³ /h	300 m ³ /h
Kuivauskapasiteetti 20 °C ja 70 % r.h.	7,5 l/vrk	11 l/vrk	16 l/vrk
Kuivauskapasiteetti 30 °C ja 80 % r.h.	13 l/vrk	19 l/vrk	31 l/vrk
Teho 20 °C ja 70 % r.h.	180 W	285 W	450 W
Energiankulutus 20 °C ja 70 % r.h.	4,3 kWh/vrk	8 kWh/vrk	9,1 kWh/vrk
Säiliön tilavuus	11 l	11 l	11 l
Kylmäaine	R290	R290	R290
Kylmäaineen vaihto	99 g	115 g	130 g
Jännite	230 V	230 V	230 V
Taajuus	50 Hz	50 Hz	50 Hz
Sulake	10 A	10 A	10 A
IP-luokka	X1	X1	X1
Mitat (P x L x K)	460 x 345 x 575 mm	460 x 345 x 575 mm	460 x 345 x 575 mm

*Oikeus teknisiin muutoksiin ja parannuksiin pidätetään. Kaikki arvot ovat likimääräisiä ja voivat vaihdella ulkoisten olosuhteiden, kuten lämpötilan, ilmanvaihdon ja kosteuden mukaisesti.

ONGELMA

RATKAISU

Kosteudenpoistaja ei käynnisty	<ul style="list-style-type: none"> Varmista, että kosteudenpoistaja on kytketty pistorasiaan ja että sulake ei ole palanut. Jos symboli palaa, tarkista, että vesisäiliö on tyhjä ja oikein asetettu kosteudenpoistajaan. Varmista, että uimuri roikkuu vapaasti. Tarkista herättämällä paneeli, että laitteen ohjauspaneelissa näkyy kosteusarvo. Kosteudenpoistajan tulee käynnistyä viiden minuutin kuluessa, jos kosteus on asetettua arvoa suurempi. Irrota virtajohto pistorasiasta, odota 10 sekuntia ja kytke se uudelleen.
Kosteudenpoistaja ei käynnisty	<ul style="list-style-type: none"> Varmista, että puhaltimen pyörä pyörii. Varmista, että ilma pääsee virtaamaan vapaasti kosteudenpoistajan läpi. Ilman poistoaukkojen ja ilmansuodattimien on oltava puhtaita ja kosteudenpoistajan on oltava vähintään 20–30 cm:n etäisyydellä seinästä. Kuuntele, onko kompressori käynnissä, mutta muista, että kosteudenpoistaja voi olla sulatustilassa, jolloin kompressori pysähtyy väliaikaisesti. Odota ensin noin 30 minuuttia. Tarkista, ettei suodattimen takana ole viin jäädytysputkiin / säleisiin ei muodostu paksua jääkerrosta.
Korkea melutaso/räminä	<ul style="list-style-type: none"> Siirrä kosteudenpoistaja kauemmaksi ympärillä olevista pinnoista. Jäädytysputket voivat koskettaa toisiinsa ja aiheuttaa tärinää. Irrota kosteudenpoistaja pistorasiasta ja erota putket toisistaan
Kondenssivettä ei kerääny	<ul style="list-style-type: none"> Tarkista, että jäädytysputkien alla olevalle tippa-alustalle ei ole kertynyt likaa tms. Puhdista tarvittaessa. Tarkista, että lämpötila on yli 2 °C ja alle 35 °C.
Ei sammu, kun vesisäiliö on täynnä.	<ul style="list-style-type: none"> On tärkeää, että uimuri roikkuu vapaasti vesisäiliössä. Jos näin ei ole, se ei välttämättä tunnista vedenpintaa ja varmista, että kosteudenpoistaja pysähtyy.
Virhekoodi E2	<ul style="list-style-type: none"> Jos E2 näkyy näytössä, kosteusanturi voi olla viallinen. Irrota virtajohto pistorasiasta, odota 10 sekuntia ja kytke se uudelleen. Jos virhekoodi näkyy edelleen, ota yhteyttä jälleenmyyjään.

Jos kosteudenpoistajassa on ongelma, tutustu vianmääritysohjeisiin. Jos mikään edellä mainituista ei auta, ota yhteyttä jälleenmyyjäsi kosteudenpoistajan huoltoa varten.

WOOD'S ON YKSI MAAILMAN JOHTAVISTA KOSTEUDENPOISTAJAMERKEISTÄ

Wood's on tunnettu kosteudenpoiston markkinajohtajana jo vuosia. Tehokkaiden kosteudenpoistajamme kuluttavat vähän energiaa ja sopivat käytettäviksi haastavimmissakin kohteissa, kun tarvitaan kosteudenpoistoa myös alhaisissa lämpötiloissa ja kosteustasoissa.

Kosteudenpoistajamme antavat hyviä tuloksia tiloissa, jotka voivat olla kosteita, kuten kellareissa, autotalleissa, kesämökeissä, pesulassa, ryömintätiloissa ja sisäuima-allasalueilla. Lisäetuna on niiden kyky kuivata tehokkaasti vaatteita ja tekstiilejä niitä kuluttamatta.

Kosteudenpoistajan poistaman kosteuden määrä riippuu lämpötilasta, kosteustasosta ja koneen sijainnista. Myös ulkona vallitseva sää vaikuttaa kosteudenpoistajan suorituskykyyn. Kylmällä säällä suhteellinen kosteus sisätiloissa laskee, mikä vähentää ilmasta absorboitavan kosteuden määrää. Siksi kosteudenpoistaja sopii käytettäväksi lämpötila-alueella 2–35 °C. Wood'sin kosteudenpoistajat ovat turvallisia ja suunniteltuja toimimaan yhtäjaksoisesti monien vuosien ajan.

LIALLINEN ILMAN KOSTEUS MUODOSTAA VAARAN

Tiivistymistä tapahtuu, kun ilmassa oleva vesihöyry joutuu kosketuksiin kylmän pinnan, kuten sisäkaton, ikkunan tai seinän, kanssa. Kun vesihöyry jäähtyy, tapahtuu kondensaatiota, jolloin muodostuu vesipisaroita. Kun ilmankosteus on suuri, ilma voi tuntua tunkkaiselta ja muodostuu homeita, mikä vahingoittaa taloa ja sisustusta. Tällainen ympäristö voi myös aiheuttaa terveysongelmia asukkaille, koska esimerkiksi pölypunkit viihtyvät kosteassa ympäristössä. Tehokas kosteudenpoistaja pitää kosteustason hyvällä ja terveellisellä tasolla. Parhaan vaikutuksen saavuttamiseksi ovet ja ikkunat on pidettävä suljettuina tiloissa, joista poistetaan kosteutta. Kosteudenpoistaja poistaa hajua, kuivaa puun ja poistaa kosteuden urheiluvälineistä jne. Kosteudenpoistajaa voidaan käyttää kellareissa, pesuloissa, autotalleissa, asuntovaunuissa, kesämökeissä ja veneissä. Jos kosteudenpoistajaa käytetään kylmemmässä ympäristössä, katso tarkemmin käyttöohjeiden lopussa olevat vihjeet.

HUOMAA!

Jos kosteudenpoistaja sijoitetaan suihku- tai kylpytilaan, se on kiinnitettävä paikalleen. Ennen käyttöä on pakollista tarkistaa paikalliset kosteiden tilojen sähkömääräykset ja noudatettava niitä.

WOODS'IN KOSTEUDENPOISTAJAN KÄYTTÖ

Jos kosteudenpoistajaa on kuljetettu vaakatasossa, anna sen seistä pystyasennossa neljä tuntia ennen käyttöä. On erittäin tärkeää,

että öljy virtaa takaisin kompressoriin, koska kosteudenpoistaja voi muuten vaurioitua vakavasti. Wood'sin kosteudenpoistajaa on helppo siirtää pyörien avulla. Käyttöön tarvitaan 220–240 V:n pistorasia. Muista seuraavat asiat:

Kosteudenpoistajaa ei saa sijoittaa lämpöpatterin tai muun lämmönlähteen lähelle tai altistaa suoralle auringonvalolle, koska se heikentää suorituskykyä.

- Voit pitää lämpötilan yli +2 °C:ssa lämpöpatterilla tai lämpöpuhaltimella.
 - Kosteudenpoistaja on sijoitettava vähintään 25 cm:n päähän seinistä ja muista esteistä riittävän ilmavirran varmistamiseksi.
 - Kosteudenpoistaja kannattaa sijoittaa mahdollisimman keskelle tilaa.
1. Tarkasta, että vesisäiliö on oikein paikallaan.
 2. Liitä kosteudenpoistaja maadoitettuun pistorasiaan.
 3. Valitse haluamasi kosteusohjelma tai kosteustaso ohjauspaneelista. Katso kohta Toiminnan kuvaus.

HUOM!

Kun kosteudenpoistaja kytkeytyy pois päältä, se voi käynnistyä uudelleen vasta viiden minuutin kuluttua.

UIMURI

Uimuri koostuu valkoisesta muovisyliinteristä, joka on ripustettu kahdella langalla kahteen varteen. Uimuri kelluu, ja kun vedenpinta nousee, uimurikin nousee. Kun uimuri on saavuttanut tietyn korkeuden, kosteudenpoistaja havaitsee sen ja sammuu automaattisesti, jotta vesi ei tulvi yli. Kun vesisäiliö tyhjenetään, se on laitettava takaisin seuraavasti:

VESISÄILIÖN TYHJENTÄMINEN

1. Kun vesisäiliö on täynnä, vedä se varovasti ulos ja tyhjennä viemäriin.
2. Työnnä vesisäiliötä takaisin, kunnes se koskettaa uimuria.
3. Nosta vesisäiliön alareunaa niin, että vesisäiliö kallistuu hieman.
4. Työnnä vesisäiliö kokonaan sisään. Uimurin pitäisi nyt olla vesisäiliön sisällä eikä jääneenä sen taakse.

HUOMAA!

On tärkeää, että uimuri roikkuu vapaasti, koska sen tarkoituksena on tunnistaa säiliön vedenpinta ja varmistaa, että kosteudenpoistaja kytkeytyy pois päältä, kun veden taso on korkea. Väärin sijoitettu uimuri voi aiheuttaa vesisäiliön ylivuodon.

TYHJENNÄ VESI VIEMÄRIIN

1. Irrota kosteudenpoistaja pistorasiasta ja irrota vesisäiliö, niin pääset käsiksi tippa-

astian alla olevaan kierteiseen liitäntään.

2. Kiinnitä letkuliitin kierteiseen liitäntään ja ohjaa letku viemäriin. Varmista, että letku on alempana kuin tippa-astia.
3. Laita kosteudenpoistajan pistoke pistorasiaan.
4. Ilman letkua ja suoraan viemäriin: Aseta kosteudenpoistaja suoraan viemäriin ylle niin, että kondensoitunut vesi voi tippua laitteen pohjassa olevan reiän läpi viemäriin.

AUTOMAATTINEN SAMMUTUS

Kun vesisäiliö on täynnä, kosteudenpoistaja sammuu automaattisesti, mikä on merkki siitä, että vesisäiliö on tyhjennettävä, ennen kuin kosteudenpoistajan käyttöä voidaan jatkaa. Katso toiminnan kuvaus.

1. Irrota kosteudenpoistaja pistorasiasta.
2. Tyhjennä vesisäiliö.
3. Laita tyhjä vesisäiliö takaisin ja varmista, että uimuri roikkuu vapaana, katso uimuria käsittelevä kohta.
4. Kytke kosteudenpoistaja pistorasiaan. Kosteudenpoistaja käynnistyy uudelleen samassa tilassa kuin ennen johdon irrottamista.

ILMANSUODATIN

Kosteudenpoistajan takaosassa oleva ilmansuodatin varmistaa, että jäähdytysputkiin ei kerry pölyä. Suodatin on tärkeää pitää puhtaana, jotta ilma pääsee virtaamaan vapaasti kosteudenpoistajan läpi. Siksi suodatin on vaihdettava tarvittaessa.

Kosteudenpoistaja on varustettu SMF-suodattimella, joka parantaa ilmankuivaimen kapasiteettia ja tehostaa ilman puhdistusta. Katso ilmansuodattimen vaihto-ohjeet. Suosittelemme vaihtamaan ilmansuodattimen vähintään kerran vuodessa. Rekisteröi kosteudenpoistaja takuuta varten osoitteessa warranty-woods.com

AUTOMAATTINEN SULATUS

Wood'sin kosteudenpoistajissa on säätöjärjestelmä, joka sulattaa jäähdytysputket tarvittaessa. Säätölaite sammuttaa kompressorin, jolloin putkiston jäähdytys pysähtyy. Puhallin ohjaa edelleen huoneenlämpöistä ilmaa kosteudenpoistajan läpi, jolloin jää sulaa ja vesi valuu säiliöön. Huomaa, että säätöjärjestelmän ansiosta kosteudenpoistaja voi toimia jopa 2 °C:n lämpötilassa.

PUHALLIN

Puhallin varmistaa, että ilma virtaa kosteudenpoistajan läpi. Kostea ilma imetään sisään laitteen takaosasta haihduttimen ja lauhduttimen läpi, ja kuiva ilma virtaa ulos kosteudenpoistajan yläosasta.

PUHDISTUS JA KUNNOSSAPITO

Wood'sin kosteudenpoistajien paras kosteudenpoistokapasiteetti edellyttää, että laitetta puhdistetaan ja suodatinta vaihdetaan.

- Ilmanpoistoaukko voidaan imuroida tai puhdistaa harjalla. Varo, etteivät säleet vaurioidu.
- Jäähdytysputket on paras puhdistaa liinalla ja lämpimällä vedellä. Tee se varoen.
- Puhaltimen moottori on pysyvästi voideltu eikä vaadi ylläpitoa.

HUOMAA!

Irrota virtajohto pistorasiasta ennen puhdistusta.

VINKKEJÄ

- Paras kosteudenpoistoteho saavutetaan, kun ilman tulo tilaan ulkopuolelta ja vierekkäisistä huoneista on minimoitu – sulje ovet ja venttiilit. Jos mahdollista, aseta ilmankuivaaja keskelle huonetta.
- Nosta huoneen lämpötilaa, niin kosteudenpoiston nopeutuu. (Lämmin ilma sisältää enemmän vettä). Käytä pakkasuojaa, jos lämpötila laskee alle 2 °C:n
- Kosteudenpoistaja erottaa enemmän vettä kesällä ja syksyllä, koska ulkoilma on lämmintä ja kosteaa. (Absoluuttinen kosteus on yleensä suurempi.)
- Suositeltavat käyttöolosuhteet:
- Lämpötila LD 2–35 °C
- Suhteellinen kosteus: 30–90 %
- Suositeltu kosteustaso n. 50 % RH

KUN KOSTEUDENPOISTAJA VAATII HUOLTOA

Jos kosteudenpoistaja on huollettava, ota ensin yhteyttä jälleenmyyjään. Kaikki takuuvaatimukset edellyttävät ostotodistusta.

HUOMAA!

Hanki 10 vuoden takuu! Rekisteröidy osoitteessa warranty-woods.com
Vaihda SMF-suodatin vähintään kerran vuodessa. Katso lisätietoja osoitteesta woods.se

TAKUUT

Kahden (2) vuoden valmistusvirheitä koskeva takuu. Huomaa, että takuu edellyttää ostokuitin esittämistä

TÄRKEÄÄ!

Wood'sin kosteudenpoistaja on liitettävä maadoitettuun pistorasiaan, jonka jännite on 220–240V 50Hz.

TAKUU**JOS HALUAT PIDENTÄÄ TAKUUTA
KAHDESTA KYMMENEEN VUOTEEN, TOIMI
SEURAAVASTI.**

1. Rekisteröi kosteudenpoistaja oston jälkeen osoitteessa warranty-woods.com
2. Vaihda kosteudenpoistajan SMF-suodatin säännöllisesti, vähintään kerran vuodessa. Voimme halutessasi lähettää sinulle muistutuksen, kun suodatin on määrä vaihtaa. Muistutuspalvelu ei maksa sinulle mitään. Voit ostaa suodattimia paikalliselta jälleenmyyjältä tai jakelijalta. Katso lähin Wood's-jälleenmyyjäsi osoitteessa woods.se.

HUOMAA!

Suodatinten ostaminen ei ole pakollista, vaikka rekisteröisit kosteudenpoistajasi osoitteessa warranty-woods.com

SÄÄSTÄ KUITIT!

Tarvitset niitä mahdollisten takuuasioiden hoitamiseen takuuajana.





MODE D'EMPLOI

Matériau inflammable. Cet appareil contient du R290/Propane, un réfrigérant inflammable.



Reportez-vous au manuel de l'opérateur.



Lisez le manuel technique.



Lisez le manuel de l'opérateur.

INFORMATIONS DE SÉCURITÉ

Avant l'installation et l'utilisation de l'appareil, lire attentivement les instructions fournies. Le fabricant n'est pas responsable en cas de blessures ou de dommages découlant d'une mauvaise installation et une utilisation incorrecte. Toujours conserver les instructions avec l'appareil pour s'y reporter ultérieurement.

SÉCURITÉ DES ENFANTS ET DES PERSONNES VULNÉRABLES

AVERTISSEMENT

Risque de blessure ou d'invalidité permanente.

Cet appareil peut être utilisé par des enfants à partir de 8 ans et des personnes ayant des capacités physiques, sensorielles ou mentales réduites, ou un manque d'expérience et de connaissances, sous surveillance ou à condition d'avoir reçu des instructions concernant l'utilisation de l'appareil de manière sûre et d'avoir compris les dangers impliqués. Ne pas laisser les enfants jouer avec l'appareil. Les enfants de moins de 3 ans doivent être tenus à l'écart, à moins d'être surveillés en permanence. Tenir tous les emballages éloignés des enfants. Le nettoyage et l'entretien ne doivent pas être effectués par des enfants sans surveillance.

SÉCURITÉ GÉNÉRALE

Cet appareil est destiné à être utilisé dans des applications domestiques et autres installations similaires telles que : sous-sols, vides sanitaires ; espaces de cuisine pour le personnel dans les magasins, les bureaux et autres environnements professionnels. La plaque signalétique se trouve derrière le réservoir d'eau du déshumidificateur. Maintenir les ouvertures de ventilation dégagées.

Ne pas utiliser de dispositifs mécaniques ou d'autres moyens pour accélérer le processus de dégivrage, autres que ceux recommandés par le fabricant. L'appareil ne doit pas être entreposé dans une pièce dans laquelle des sources inflammables fonctionnent en permanence (flammes nues, appareil à gaz, radiateur électrique, etc). Ne pas percer ni brûler. Tenir compte du fait que les réfrigérants n'ont pas forcément d'odeur. Ne pas utiliser de pulvérisation d'eau ni de vapeur pour nettoyer l'appareil. Nettoyer l'appareil à l'aide d'un chiffon doux humide. Utiliser uniquement des détergents neutres. Ne pas utiliser de produits abrasifs, de tissus de nettoyage abrasifs, de solvants ou d'objets métalliques. Si le cordon d'alimentation est endommagé, il doit être remplacé par le fabricant, son centre de service agréé ou des personnes qualifiées du même type pour éviter tout danger.

CONSIGNES DE SÉCURITÉ

AVERTISSEMENT

Cet appareil ne doit être installé que par une personne qualifiée.

Retirez tous les emballages. Ne pas installer ni utiliser un appareil endommagé. L'appareil doit être installé, utilisé et entreposé dans une pièce d'une surface de plancher supérieure à 4 m². Respecter scrupuleusement les instructions d'installation fournies avec l'appareil. Toujours déplacer l'appareil avec précaution car il est lourd. Toujours porter des gants de sécurité.

Veillez à ce que l'air puisse circuler autour de l'appareil. Attendre au moins 4 heures avant de brancher l'appareil à l'alimentation afin de permettre à l'huile de revenir dans le compresseur. Ne pas installer l'appareil à proximité de radiateurs ou d'autres sources de chaleur. Ne pas installer l'appareil à la lumière directe du soleil.

RACCORDEMENT ÉLECTRIQUE

AVERTISSEMENT

Risque d'incendie et de choc électrique.

L'appareil doit être raccordé à une prise de terre. Vérifier que les informations électriques de l'étiquette signalétique soient conformes à l'alimentation électrique. Si ce n'est pas le cas, contactez un électricien. Toujours utiliser une prise antichoc correctement installée. Ne pas utiliser d'adaptateurs multi-fiches ni de

rallonges. Veiller à ne pas endommager les composants électriques (p. ex. fiche secteur, câble secteur). Contacter le centre de service agréé ou un électricien pour changer les composants électriques. Le câble secteur doit rester sous le niveau de la fiche secteur. Brancher la fiche secteur à la prise secteur uniquement à la fin de l'installation. Veiller à ce qu'il soit possible d'accéder à la prise de courant après l'installation. Ne pas tirer sur le câble secteur pour débrancher l'appareil. Débranchez toujours le câble d'alimentation depuis la prise.

UTILISATION

AVERTISSEMENT

Risque de blessures, de brûlures, de chocs électriques ou d'incendie.

Ne pas changer la spécification de cet appareil. Veiller à ne pas endommager le circuit de réfrigérant. Il contient du propane (R290), un gaz naturel ayant un niveau élevé de compatibilité environnementale. Ce gaz est inflammable. Si le circuit de réfrigérant est endommagé, vérifier qu'il n'y a pas de flammes ni de sources d'inflammation dans la pièce. Ventiler la pièce. Ne pas placer de produits inflammables ou d'objets imbibés de produits inflammables près de l'appareil ou dessus.

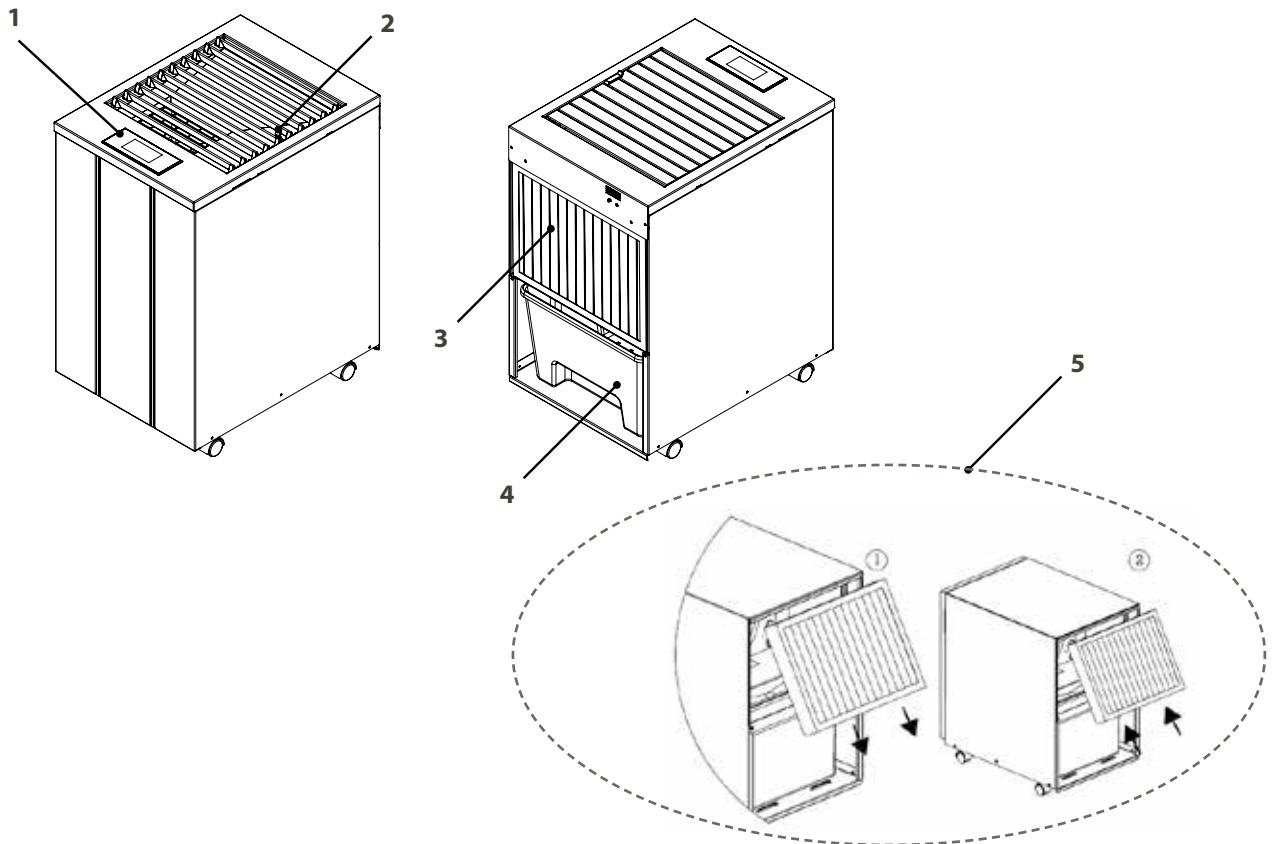
MISE AU REBUT

AVERTISSEMENT

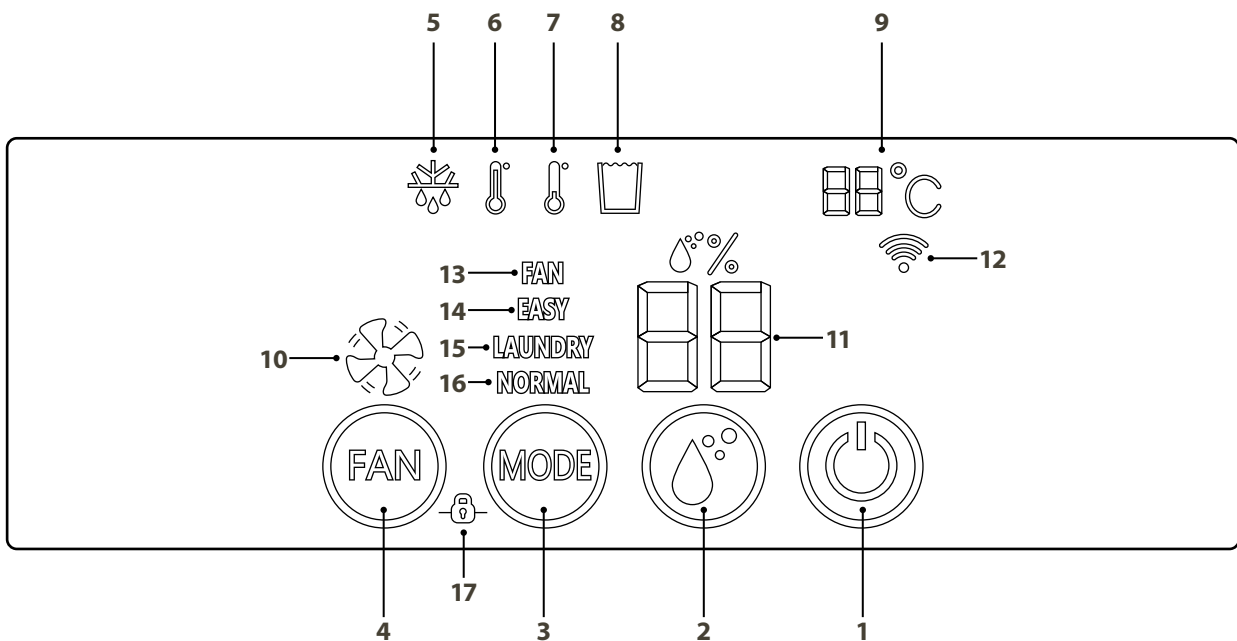
Risque de blessure.

Débrancher l'appareil de l'alimentation secteur. Couper le câble secteur et le mettre au rebut. Le circuit de réfrigérant de cet appareil est sans danger pour la couche d'ozone. Contacter l'autorité municipale pour savoir comment mettre correctement l'appareil au rebut. Ne pas endommager la partie de l'unité de réfrigération qui se trouve près de l'échangeur de chaleur.

A.



B.



DESCRIPTION DU PRODUIT

A.

1. Panneau de commande
2. Levier de manœuvre pour ouvrir/fermer/viser le flux d'air
3. Filtre à air
4. Réservoir d'eau
5. Changement de filtre à air »

B.

PANNEAU DE COMMANDE - DESCRIPTION DE LA FONCTION

Les déshumidificateurs de la série LD sont équipés d'un panneau de commande intuitif pour une utilisation simple et pratique. Notez que le panneau de commande se met hors tension en mode inactif 20 secondes après la connexion de la tension secteur ou après la dernière entrée, et se réactive en touchant la zone où se trouvent les touches de fonction. Toutes les frappes sont confirmées par un bip.

TOUCHES DE FONCTION

1. ON/OFF : allume et éteint le déshumidificateur. En mode arrêt, la consommation d'énergie est égale à 0,5 W.
2. Réglage de l'humidité souhaitée - Actif uniquement dans les modes de programme « Normal » et « Ventilateur ». L'humidité souhaitée peut se fixer entre 35 et 75 % par étapes de 1 point de pourcentage. La valeur définie est d'abord affichée de manière fixe, puis clignote avant que la valeur réelle réapparaisse.
3. Sélection du mode - Sélection du programme d'exploitation, voir les points 13-16 ci-dessous.
4. Vitesse du ventilateur - La vitesse du ventilateur peut être réglée en mode « Normal » et « Ventilateur » à basse ou haute vitesse. La commutation entre les vitesses s'effectue avec quelques secondes de retard.

ALARMES / INFORMATION

5. Dégivrage - Au besoin, le circuit de refroidissement est dégivré automatiquement, ce qui permet d'éteindre le compresseur et de ne faire fonctionner que le ventilateur. Le symbole s'éteint lorsque le processus de déshumidification est redémarré.
6. Température ambiante trop élevée - Si la température ambiante dépasse 35 °C, le processus de déshumidification s'arrête et reprend automatiquement lorsque la température ambiante retombe en dessous de 35 °C. Le symbole est allumé tant que la température est de 35 °C ou plus.
7. Température ambiante trop élevée - Si la température ambiante est inférieure à 2 °C, le processus de déshumidification s'arrête et reprend automatiquement lorsque la température ambiante remonte au-dessus de 2 °C. Le symbole est allumé tant que la température est de 2 °C ou moins.
8. Réservoir de condensat plein - Lorsque le réservoir est plein, un signal sonore est activé pendant 20 secondes et le symbole est allumé. Lorsque le réservoir d'eau est vidé, le programme de fonctionnement est automatiquement réinitialisé. Assurez-vous que le flotteur flotte librement dans le réservoir.
9. Température ambiante - Affiche la température ambiante détectée.
10. Vitesse du ventilateur - Le ventilateur et les tirets indiquent une vitesse élevée et seul le ventilateur indique une vitesse faible.
11. Humidité relative - Affiche les valeurs cibles actuelles et souhaitées. Cette dernière est en relation avec la définition de la valeur cible.
12. WiFi - Indique quand le WiFi est connecté. S'applique uniquement aux modèles équipés de cette fonctionnalité.

MODES DE FONCTIONNEMENT

13. Mode ventilateur - Utilisé si une circulation d'air continue est souhaitée. La vitesse du ventilateur et la valeur cible de l'humidité peuvent être définies. Lorsque la valeur cible définie est atteinte, seul le compresseur est éteint pour redémarrer à nouveau si l'humidité augmente.
14. Mode confort (EASY) - Le déshumidificateur vise une humidité relative de 50 % avec le ventilateur réglé à basse vitesse. Lorsque la valeur cible est atteinte, le compresseur et le ventilateur s'arrêtent et redémarrent si l'humidité dépasse 50 %.
15. Mode de séchage du linge (BLANCHISSERIE) - Le processus de déshumidification fonctionne avec le ventilateur à haute vitesse jusqu'à ce qu'il soit éteint manuellement ou que le mode soit modifié.
16. Mode normal (NORMAL) - Permet de définir manuellement la valeur cible pour l'humidité et la vitesse du ventilateur. Lorsque la valeur cible est atteinte, le compresseur et le ventilateur s'arrêtent et redémarrent si l'humidité dépasse la valeur cible.
17. Fonction de verrouillage - Empêche que les paramètres soient modifiés involontairement. La fonction de verrouillage fait fonctionner les touches FAN et MODE simultanément pendant 3 secondes. La désactivation de la fonction de verrouillage se fait de la même manière.

CARACTÉRISTIQUES TECHNIQUES	LD40	LD44	LD48PRO+
Surface de travail max.	100 m ²	140 m ²	180 m ²
Débit d'air en vitesse 1	200 m ³ /h	160 m ³ /h	160 m ³ /h
Débit d'air en vitesse 2	350 m ³ /h	300 m ³ /h	300 m ³ /h
Déshumidification à 20 °C et 70 % h.r.	7,5 L/24 h	11 L/24 h	16 L/24 h
Déshumidification à 30 °C et 80 % h.r.	13 L/24 h	19 L/24 h	31 L/24 h
Puissance à 20 °C et 70 % h.r.	180 W	285 W	450 W
Consommation d'énergie à 20 °C et 70 % h.r.	4,3 kWh/24 h	8 kWh/24 h	9,1 kWh/24 h
Volume du réservoir	11 l	11 l	11 l
Réfrigérant	R290	R290	R290
Changement de réfrigérant	99 g	115 g	130 g
Tension	230 V	230 V	230 V
Fréquence	50 Hz	50 Hz	50 Hz
Fusible	10 A	10 A	10 A
Classe IP	X1	X1	X1
Dimensions (L x L x H)	460 x 345 x 575 mm	460 x 345 x 575 mm	460 x 345 x 575 mm

*Des modifications et des améliorations techniques peuvent être apportées. Toutes les valeurs sont approximatives et peuvent varier en raison des circonstances externes telles que la température, la ventilation et l'humidité.

PROBLÈME

SOLUTION

Le déshumidificateur ne s'allume pas	<ul style="list-style-type: none"> Assurez-vous que le déshumidificateur est bien connecté à la douille et que le fusible n'a pas sauté. Si l'icône du symbole est allumée, vérifiez que le réservoir d'eau est vide et correctement encastré dans le déshumidificateur. Assurez-vous que le flotteur soit suspendu librement. Vérifiez que la valeur de l'humidité dans le panneau de commande de la machine soit affichée en « réveillant » le panneau. Le déshumidificateur doit démarrer dans les 5 minutes si celle-ci est supérieure à la valeur définie. Débranchez le cordon d'alimentation, attendez 10 secondes et reconnectez-le.
Le déshumidificateur ne s'allume pas	<ul style="list-style-type: none"> Assurez-vous que la roue du ventilateur tourne. Vérifiez si l'air peut circuler librement dans le déshumidificateur. Les émissions d'air et les filtres à air doivent être propres et le déshumidificateur doit se tenir à au moins 20-30 cm du mur. Écoutez si le compresseur tourne, mais gardez à l'esprit que le déshumidificateur peut être en cours de cycle de dégivrage ce qui stoppe le compresseur temporairement. Commencez par attendre environ 30 minutes. Assurez-vous qu'une épaisse couche de glace ne se forme pas sur les bobines de refroidissement / lattes derrière le filtre.
Niveau sonore élevé/cliquetis	<ul style="list-style-type: none"> Éloignez le déshumidificateur des surfaces alentours. Les bobines de refroidissement peuvent entrer en contact les unes avec les autres et provoquer des vibrations. Débranchez le déshumidificateur de la prise électrique et séparez les boucles.
Pas d'eau de condensation recueillie	<ul style="list-style-type: none"> Vérifiez qu'aucune saleté, etc. n'est déposée sur le bac d'égouttement sous les bobines de refroidissement, nettoyez au besoin. Vérifiez que la température est supérieure à 2 °C ou inférieure à 35 °C.
Ne s'arrête pas lorsque le réservoir d'eau est plein.	<ul style="list-style-type: none"> Il est important que le flotteur puisse flotter librement dans le réservoir. Si ce n'est pas le cas, il se peut qu'il ne détecte pas où se trouve le niveau d'eau, ce qui permet de s'assurer que le déshumidificateur s'arrête.
Code d'erreur E2	<ul style="list-style-type: none"> Si E2 s'affiche à l'écran, le capteur d'humidité peut être défectueux. Essayez de débrancher le cordon d'alimentation, attendez 10 secondes et reconnectez-le. Si le code d'erreur persiste, contactez votre revendeur.

En cas de problème avec votre déshumidificateur, reportez-vous au guide de dépannage. Si aucun des conseils ci-dessus ne fonctionne, contactez votre vendeur pour obtenir l'entretien de votre déshumidificateur.

WOOD'S EST L'UN DES LEADERS MONDIAUX DES DÉSHUMIDIFICATEURS

Wood's est reconnu comme un leader du marché de la déshumidification depuis de nombreuses années. Nos déshumidificateurs consomment peu d'énergie et peuvent être utilisés dans les climats les plus difficiles, où la capacité de déshumidification doit être bonne, même à des températures et des niveaux d'humidité relativement bas.

Nos déshumidificateurs offrent des résultats optimaux dans les endroits qui deviennent humides, comme les sous-sols, les garages, les maisons d'été, les buanderies, les vides sanitaires et les piscines intérieures. Un avantage supplémentaire est leur capacité à sécher efficacement les vêtements et les textiles sans les user.

La quantité d'humidité retirée par le déshumidificateur dépend de la température, du niveau d'humidité et du lieu d'installation. Les conditions météorologiques extérieures affectent également les performances des déshumidificateurs. Par temps froid, l'humidité relative à l'intérieur diminue, réduisant ainsi l'absorption d'humidité de l'air par le déshumidificateur. Nos déshumidificateurs conviennent donc à une utilisation à des températures allant de +2 °C à +35 °C. Les déshumidificateurs de Wood's sont sûrs et conçus pour fonctionner en continu pendant de nombreuses années.

HUMIDITÉ EXCESSIVE DE L'AIR – UN DANGER

La condensation se produit lorsque de la vapeur d'eau contenue dans l'air entre en contact avec une surface froide, comme un plafond, une fenêtre ou un mur. Lorsque la vapeur d'eau refroidit, la condensation se produit, ce qui crée des gouttelettes d'eau. À forte humidité, de l'air vicié peut se produire et des moisissures se forment, ce qui endommage la maison et son intérieur. Cet environnement peut également provoquer des maladies chez les habitants, notamment lorsque les acariens prospèrent dans un environnement humide. Un déshumidificateur à haute performance crée un niveau d'humidité sain et optimal. Pour obtenir le meilleur effet possible, les portes et les fenêtres des espaces à déshumidifier doivent rester fermées. Le déshumidificateur élimine les mauvaises odeurs, sèche le bois et élimine l'humidité des équipements sportifs pour une utilisation à l'extérieur, etc. Un déshumidificateur peut être utilisé dans les sous-sols, les buanderies, les garages, les caravanes, les chalets d'été et dans les bateaux. Si le déshumidificateur est utilisé dans des environnements plus froids, consultez les conseils à la fin du mode d'emploi.

REMARQUE :

Lorsqu'il est placé dans un coin douche ou une salle de bain, le déshumidificateur doit être fixé en place. Il faut obligatoirement consulter et respecter les lois et réglementations locales en matière d'électricité pour les salles de bain avant toute utilisation.

UTILISER LES DÉSHUMIDIFICATEURS DE WOOD'S

Si le déshumidificateur est transporté horizontalement, laissez-le en position verticale pendant 4 heures avant utilisation. Il est très important que l'huile s'écoule à nouveau dans le compresseur, car autrement, le déshumidificateur pourrait subir de graves dommages. Les déshumidificateurs Wood's sont faciles à déplacer lorsqu'ils sont équipés de roues. Il faut simplement qu'une prise électrique pour 220-240 V se trouve à proximité, mais gardez à l'esprit ce qui suit :

Le déshumidificateur ne doit pas être placé à proximité de radiateurs ou de toute autre source de chaleur, ni exposé directement aux rayons directs du soleil, car cela nuit à ses performances.

- Vous pouvez utiliser un radiateur ou un chauffage d'appoint pour maintenir la température de la pièce au dessus de +2 °C.
 - Le déshumidificateur doit être placé à au moins 25 cm des murs et des autres obstacles pour assurer un débit d'air maximal.
 - L'emplacement idéal du déshumidificateur est le plus au centre possible de la pièce.
1. Vérifiez que le réservoir d'eau est placé correctement.
 2. Branchez le déshumidificateur sur une source d'alimentation raccordée à la terre.
 3. Choisissez le programme d'humidité ou le niveau d'humidité souhaité à l'aide du panneau de commande. Consultez la section de la description de la fonction.

REMARQUE !

Lorsque le déshumidificateur s'éteint, il lui faut 5 minutes pour redémarrer.

FLOTTEUR

Le flotteur est un cylindre en plastique blanc suspendu par deux fils accrochés à deux bras. Il flotte et lorsque le niveau de l'eau monte, l'eau soulève le flotteur. Lorsque le flotteur atteint une certaine hauteur, la réponse du déshumidificateur est de s'éteindre automatiquement afin d'éviter tout débordement. Lorsque le réservoir d'eau est vidé, il doit être remis en place de la manière suivante :

VIDANGE DES RÉSERVOIRS D'EAU

1. Lorsque le réservoir d'eau est plein, tirez-le doucement vers l'extérieur et videz-le dans l'évier.
2. Enfoncez le réservoir dans le déshumidificateur jusqu'à ce qu'il touche le flotteur.
3. Soulevez le bord inférieur du réservoir d'eau pour l'incliner légèrement.
4. Poussez le réservoir d'eau sur les derniers centimètres. Le flotteur devrait maintenant se trouver dans le réservoir d'eau, au lieu d'être serré derrière lui.

REMARQUE :

Il est important que le flotteur pende librement, car son but est de détecter le niveau d'eau dans le réservoir et de s'assurer que le déshumidificateur s'éteint lorsque ce niveau est élevé. Un flotteur mal positionné peut causer le débordement du réservoir d'eau.

ÉCOULER L'EAU DANS LES ÉGOUTS

1. Débranchez le déshumidificateur de la prise électrique et retirez le réservoir d'eau afin d'accéder à la connexion filetée sous le bac d'égouttement.
2. Fixez le raccord du tuyau au connecteur fileté et dirigez le tuyau vers l'évacuation d'eau. Assurez-vous que le tuyau se trouve plus bas que le bac d'égouttement.
3. Insérez la fiche du déshumidificateur dans la prise.
4. Sans tuyau et directement au-dessus de l'évacuation d'eau : Placez le déshumidificateur directement au-dessus de l'évacuation d'eau pour que l'eau condensée puisse s'écouler directement dans l'évacuation par le trou situé à la base du déshumidificateur.

ARRÊT AUTOMATIQUE

Lorsque le réservoir d'eau est plein, le déshumidificateur s'éteint automatiquement, signalant ainsi que le réservoir d'eau doit être vidé avant de pouvoir utiliser à nouveau le déshumidificateur. Consultez la description de la fonction.

1. Débranchez le déshumidificateur de la prise électrique.
2. Videz le réservoir d'eau.
3. Remplacez le réservoir d'eau vidé et assurez-vous que le flotteur soit suspendu librement, reportez-vous à la section Flotteur.
4. Branchez le déshumidificateur sur la prise électrique. Le déshumidificateur redémarre dans le même mode que lors de sa déconnexion.

FILTRE À AIR

Le filtre à air situé à l'arrière du déshumidificateur évite que les bobines de réfrigération recueillent la poussière. Il est important que le filtre à air soit propre pour que l'air puisse circuler librement à l'intérieur du déshumidificateur. Le filtre doit donc être remplacé au besoin.

Le déshumidificateur est équipé d'un filtre SMF qui améliore la capacité du déshumidificateur tout en purifiant encore davantage l'air. Voir les instructions pour changer le filtre à air. Nous recommandons de changer le filtre au moins une fois par an. Pour suivre le programme de garantie, inscrivez votre déshumidificateur sur warranty-woods.com

DÉGIVRAGE AUTOMATIQUE

Les déshumidificateurs de Wood's sont équipés d'un système de contrôle permettant de dégivrer les bobines de refroidissement au besoin. La commande éteint le compresseur, ce qui provoque l'arrêt de la réfrigération des bobines. Le ventilateur continue à introduire l'air à température ambiante à travers le déshumidificateur et fait ainsi fondre la glace, dont l'eau coule dans le réservoir. Veuillez noter que ce système de contrôle permet au déshumidificateur de fonctionner à une température aussi basse que + 2 °C.

VENTILATEUR

Le ventilateur assure la circulation de l'air à travers le déshumidificateur. L'air humide est aspiré par l'arrière et par l'évaporateur et le condenseur, puis libéré à sec sur le dessus du déshumidificateur.

NETTOYAGE ET ENTRETIEN

Les déshumidificateurs Wood's doivent être nettoyés et leur filtre changé pour maintenir leur haute capacité de déshumidification.

- La sortie d'air peut être aspirée ou nettoyée avec une brosse. Soyez prudent pour éviter d'endommager les lattes.
- Les bobines de réfrigération peuvent être nettoyées à l'aide d'un chiffon imprégné d'eau tiède. Soyez prudent.
- Le moteur du ventilateur est lubrifié en permanence et ne requiert aucun entretien.

REMARQUE :

Débranchez le cordon d'alimentation de la prise électrique avant le nettoyage.

CONSEILS

- Pour une puissance de déshumidification maximale dans une pièce, il est recommandé de minimiser l'alimentation en air de l'extérieur et des pièces adjacentes en fermant les portes et les bouches d'aération. Si possible, placez le déshumidificateur au milieu de la pièce.
- Augmentez la température dans la pièce pour accélérer la déshumidification. (L'air chaud

peut transporter davantage d'eau). Utilisez un protège-gel si la température descend en dessous de + 2 °C.

- Le déshumidificateur extrait plus d'eau pendant l'été et l'automne parce que l'air extérieur est chaud et humide. (L'humidité absolue est plus élevée normalement).
- Limites conseillées lors de l'utilisation :
 - Temp. WCD +2 °C à +35 °C
 - Humidité relative : 30 % à 90 %
 - Niveau d'humidité recommandé environ 50 % HR

SI LE DÉSHUMIDIFICATEUR NÉCESSITE UN ENTRETIEN

Si le déshumidificateur doit faire l'objet d'un contrôle, vous devez tout d'abord contacter votre revendeur. Une preuve d'achat vous sera demandée pour toute réclamation sous garantie.

REMARQUE :

Obtenez 10 ans de garantie ! Enregistrez-vous sur warranty-woods.com et remplacez le filtre SMF au moins une fois par an. Veuillez consulter woods.se pour de plus amples informations

GARANTIES

Garantie de 2 ans pour tout défaut de fabrication. Veuillez noter que la garantie n'est valable que sur présentation d'un ticket d'achat.

IMPORTANT !

Le déshumidificateur de Wood's doit être raccordé à une prise électrique à la terre ayant une tension de 220V-240V 50Hz.

GARANTIE

POUR OBTENIR UNE GARANTIE PROLONGÉE, DE 2 À 10 ANS, VEUILLEZ SUIVRE CES ÉTAPES.

1. Enregistrez votre déshumidificateur après votre achat sur warranty-woods.com
2. Remplacez le filtre SMF dans votre déshumidificateur régulièrement, au moins une fois par an. Si vous le souhaitez, nous vous enverrons un rappel lorsqu'un changement de filtre est dû. Le rappel est gratuit, bien sûr. Vous pouvez trouver des filtres chez votre détaillant ou distributeur local. Veuillez visiter woods.se pour trouver le distributeur de Wood's le plus proche.

REMARQUE :

Il n'y a aucune obligation d'acheter des filtres lorsque vous enregistrez votre déshumidificateur sur warrantywoods.com

CONSERVEZ VOS REÇUS !

Ceux-ci seront requis pour toute réclamation de garantie pendant la période.





NOTKUNARLEIÐBEININGAR

Eldfim efni.



Lesið tæknihandbók

ÖRYGGISUPPLÝSINGAR

Áður en þú setur upp tækið og byrjar að nota það skaltu lesa meðfylgjandi leiðbeiningar vandlega. Framleiðandi er ekki ábyrgur ef röng uppsetning og notkun valda meiðslum og tjóni. Geymdu ávallt leiðbeiningarnar með tækinu til að geta skoðað þær síðar.

ÖRYGGI BARNNA OG VIÐKVÆMRA



Hætta á meiðslum eða varanlegri fötlun.

Leyfið ekki börnum að leika sér með tækið.

Geymið allar umbúðir fjarri börnum. Börn skulu ekki annast hreinsun og viðhald án umsjónar.

ALMENNT ÖRYGGI

Flokkunarplatan er staðsett á bak við vatnsgeyminn á rakaeyðinum. Haldið aðskotahlutum fjarri loftopum.

Notið ekki vélbúnað eða aðrar aðferðir til að hraða afíngingu en þær sem framleiðandi mælir með. Gatið ekki eða brennið. Hafðu í huga að kæliefni geta verið lyktarlaus. Ekki nota vatnsúða eða gufu til að hreinsa tækið. Hreinsið tækið með rökum mjúkum klút. Notið aðeins hlutlaus hreinsiefni. Notið ekki slípivörur, slípiefnasvampa, leysiefni eða málmhluti. Ef rafmagnssnúran er skemmd verður að skipta um hana hjá framleiðanda, viðurkenndum viðgerðaraðila eða sambærilegum aðila til að forðast að hættur.

ÖRYGGISLEIÐBEININGAR



Fjarlægjið allar umbúðir. Setjið ekki upp eða notið skemmt tæki. Tækið skal ekki setja upp, nota og geyma í herbergi sem er með stærri gólfhlöten en 4m². Fylgja skal leiðbeiningum um uppsetningu sem fylgir tækinu. Sýnið alltaf aðgát þegar þú færir tækið því það er þungt. Klæðist ávallt öryggishönskum.

Gakktu úr skugga um að loft geti flætt um tækið. Bíddu í að minnsta kosti 4 klukkustundir áður en þú tengir tækið við rafmagn. Setjið ekki tækið nálægt ofnum eða öðrum hitagjöfum. Setjið ekki tækið í beint sólarljós.

RAFMAGNSTENING



Hætta á bruna og raflosti.

Tækið skal tengja við jarðtengda innstungu. Ef ekki, skal hafa samband við rafvirkja. Notið ávallt rétt uppsetta höggþétta innstungu. Ekki nota fjöltengi og framlengingarsnúru. Gætið þess að valda ekki skemmdum á rafhlutum (t.d. tengjum, snúrum). Snúran verður að vera fyrir neðan klóna. Tengdu klóna við innstunguna að lokinni uppsetningu. Gakktu úr skugga um að hægt sé að komast að klónni eftir uppsetningu. Ekki draga í rafmagnssnúruna til að aftengja tækið. Taktu alltaf í klóna til að taka úr sambandi.

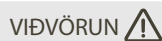
NOTKUN



Hætta á meiðslum, bruna, raflosti eða eldsvoða.

Breytið ekki eiginleikum tækisins. Gætið þess að valda ekki skemmdum á kælihringrásinni. Hún inniheldur própan (R290), náttúrulegt gas með háa umhverfissamhæfni. Þetta gas er eldfimt. Ef skemmdir eiga sér stað í kælihringrásinni skal ganga úr skugga um að engir logar eða og neistagjafar séu í herberginu. Loftræstið herbergið. Setjið ekki eldfimar vörur eða vörur sem eru bleyttar með eldfimum efnum nálægt tækinu eða ofan á það.

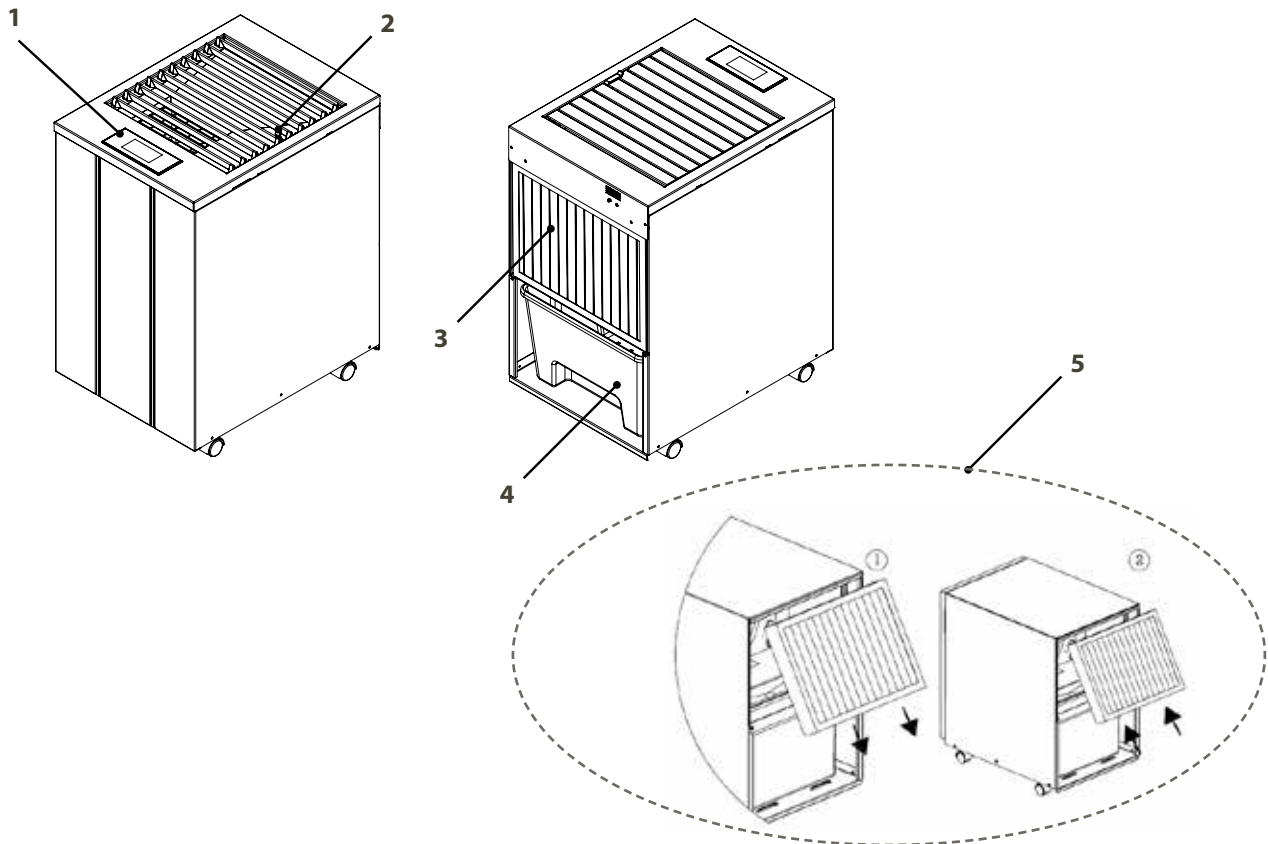
FÖRGUN



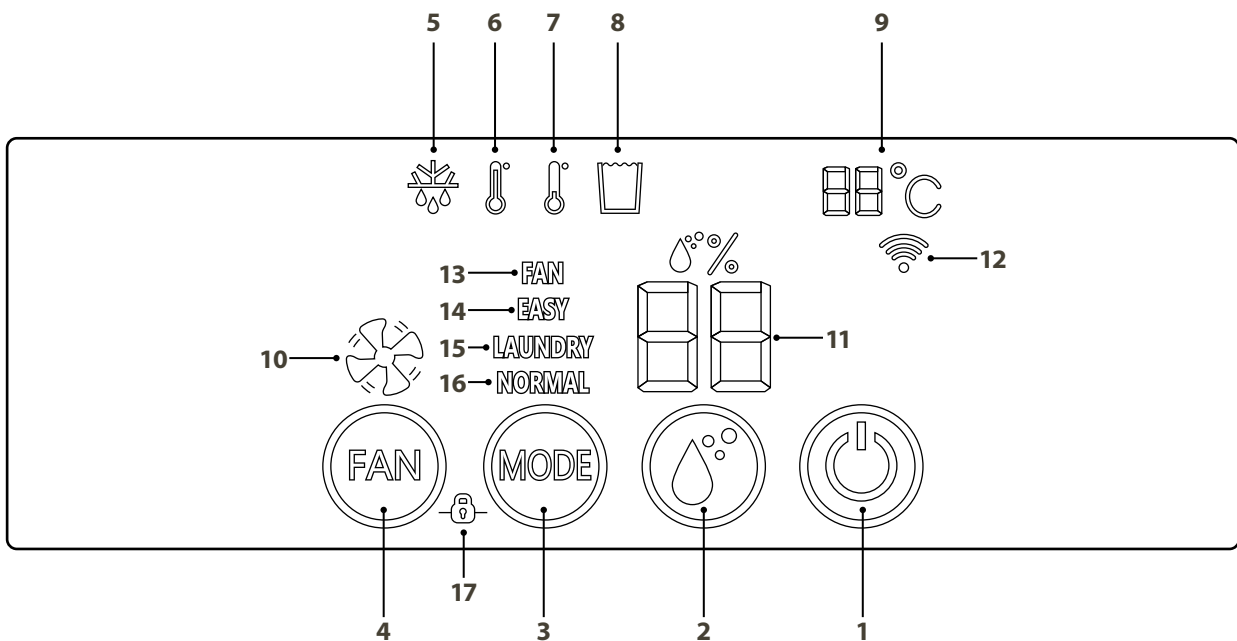
Hætta á meiðslum.

Takið tækið úr sambandi. Klippið rafmagnssnúruna af og fleygið henni. Kælihringrásin í þessu tæki er ósónvæn. Hafðu samband við viðkomandi aðila í þínu landi til að fá upplýsingar um hvernig þú fargar tækinu á réttan hátt. Valdið ekki skemmdum á þeim hluta kælieiningarinnar sem er nálægt hitaskiptinum.

A.



B.



VÖRULÝSING

A.

1. Stjórnborð
- 2.
3. Loftslát
4. Vatnslát
5. Útskipti á loftslát

B.

STJÓRNBOÐ -
VIRKNILÝSING

Rakaeyðarnir í LD-seríunni eru búnir leiðandi stjórnborði fyrir einfalda og þægilega notkun. Athugaðu að stjórnborðið fer niður í aðgerðalausa stillingu 20 sekúndum eftir tengingu aðalspennu eða eftir síðasta inntak og er endurvakið með því að snerta svæðið þar sem aðgerðahnapparnir eru staðsettir.

AÐGERÐAHNAPPAR

- 1.
2. Stilling á æskilegum raka - Aðeins virk í stillingunum "Venjulegt" og "Vifta". Æskilegan raka er hægt að stilla á 35 - 75% í skrefum með 1 prósentustigi. Stillingið birtist fyrst fast og blikkar síðan áður en raunverulegt gildi birtist aftur.
- 3.
4. Hraðabreytingin gerist með nokkurra sekúndna seinkun.

VIÐVARANIR / UPPLÝSINGAR

5. Afísing - Ef nauðsyn krefur, afíast kælrásin sjálfkrafa á þann hátt að slökkt er á pressunni og aðeins viftan er í notkun. Táknid slökkvar þegar rakaeyðingarferlið er endurræst.
6. Of hátt umhverfishitastig - Ef umhverfishitinn fer yfir 35° C stöðvast rakaeyðingarferlið og ræstist aftur sjálfkrafa þegar umhverfishitinn fer undir 35° C. Það logar á táknuinu svo lengi sem hitastigið er 35° C eða hærra.
- 7.
8. Þéttigeymir fullur - Þegar tankurinn er fullur er hljóðmerki virkjað í 20 sekúndur og það logar á táknuinu. Gangið úr skugga um að flotið hangi frítt í tankinum.
9. Rýmishiti - Sýnir skynjað umhverfishitastig.
10. Viftuhraði - Vifta og strik gefa til kynna mikinn hraða og eingöngu vifta gefur til kynna lágan hraða.
11. Rakastig - Sýnir núverandi og æskileg markgildi. Hið síðarnefnda í tengslum við markgildisstillingu.
12. WiFi - Gefur til kynna þegar WiFi er tengt. Á aðeins við um gerðir sem búnar eru þessum eiginleika.

NOTKUNARSTILLINGAR

13. Viftustilling - Notað ef óskað er eftir samfelldri lofthringrás. Þegar stilltu markgildi er náð er aðeins slökkt á pressunni til endurræsingar aftur ef rakinn hækkar.
14. Þægindastilling (EASY) - Rakaeyðirinn miðar að 50% raka með viftu stillta á lágan hraða.
- 15.
16. Venjuleg stilling (VENJULEGT) - Notað til að stilla markgildið handvirkt fyrir raka og viftuhraða.
17. Læsing - Notað til að koma í veg fyrir að stillingum sé óvart breytt. Læsingin með VIFTU- og STILLI-hnöppunum samtímis í 3 sekúndur.

TÆKNILÝSING	LD40	LD44	LD48PRO+
Hám. vinnusvæði	100 m ²	140 m ²	180 m ²
Loftflæði stig 1	200 m ³ /klst	160 m ³ /klst	160 m ³ /klst
Loftflæði stig 2	350 m ³ /klst	300 m ³ /klst	300 m ³ /klst
Rakaeyðing við 20 °C og 70% rakastig.	7,5 l/24klst	11 l/24klst	16 l/24klst
Rakaeyðing við 30 °C og 80% rakastig.	13 l/24klst	19 l/24klst	31 l/24klst
Rafafli við 20 °C og 70% rakastig.	180 W	285 W	450 W
Orkunotkun við 20 °C og 70% rakastig	4,3 kWh/24klst	8 kWh/24klst	9,1 kWh/24klst
Rúmmál geymis	11 l	11 l	11 l
Kæliefni	R290	R290	R290
Útskipti kæliefnis	99 g	115 g	130 g
Spenna	230 V	230 V	230 V
Tíðni	50 Hz	50 Hz	50 Hz
Öryggi	10 A	10 A	10 A
IP-flokkur	X1	X1	X1
Mál (L x B x H)	460 x 345 x 575 mm	460 x 345 x 575 mm	460 x 345 x 575 mm

*Tæknilegar breytingar og endurbætur geta átt sér stað.

VANDAMÁL

ÚRRÆÐI

Rakaeyðirinn fer ekki í gang	<ul style="list-style-type: none"> Gangið úr skugga um að rakaeyðirinn sé tengdur við innstunguna og að öryggið hafi ekki sprungið. Ef kveikt er á táknu skal ganga úr skugga um að vatnsgeymirinn sé tómur og sitji rétt í rakaeyðinum. Gangið úr skugga um að flotholtið hangi frítt. Gangið úr skugga um að rakagildið á stjórnborði tækisins birtist á "vakna"-borðinu. Rakaeyðirinn verður að ræsast innan 5 mínútna ef þetta er hærra en stillt gildi. Takið rafmagnssnúruna úr sambandi, bíðið í 10 sekúndur og tengið hana aftur.
Rakaeyðirinn fer ekki í gang	<ul style="list-style-type: none"> Gangið úr skugga um að viftuhjólið snúist. Gangið úr skugga um að loft geti flætt óhindrað í gegnum rakaeyðinn. Loftlosun og loftsiur verða að vera hreinar og rakaeyðirinn verður að vera að minnsta kosti 20-30 cm frá veggnum. Byrjaðu á því að bíða í u.þ.b. 30 mínútur. Gangið úr skugga um að þykkt lag af ís myndist ekki á kælispirólunum / raufunum á bak við síuna.
Hávaði/skrölt	<ul style="list-style-type: none"> Aukið fjarlægð milli rakaeyðisins og aðliggjandi flata. Takið rakaeyðinn úr sambandi aðskiljið lykjkurnar
Engu þéttivatni safnað	<ul style="list-style-type: none"> Gangið úr skugga um að hitastigið sé yfir 2° C eða undir 35° C.
	<ul style="list-style-type: none"> Mikilvægt er að flotið hreyfist frítt í vatnsgeyminum.
Bilunarkóði E2	<ul style="list-style-type: none"> Ef E2 er sýnt á skjánum getur rakaskynjarinn verið bilaður. Reynið að taka rafmagnssnúruna úr sambandi, bíðið í 10 sekúndur og tengið hana aftur. Ef villukóðinn er viðvarandi skal hafa samband við söluaðila.

Ef þú átt í vandræðum með rakaeyðinn skaltu skoða leiðbeiningarnar um bilanaleit. Ef ekkert af ofangreindu virkar skal hafa samband við söluaðilann til að láta þjónusta rakaeyðinn.

Magn raka sem rakaeyðirinn fjarlægir fer eftir hitastigi, rakastigi og staðsetningu tækisins. Veðrið utandyra hefur einnig áhrif á afköst rakaeyðisins. Í köldu veðri lækkar hlutfallslegur raki innandyra og dregur þannig úr rakafrásogi rakaeyðisins úr loftinu. Rakaeyðirinn hentar til notkunar við hitastig á bilinu + 2°C til + 35°C. Wood's rakaeyðar eru öruggir og hannaðir fyrir stöðuga notkun í mörg ár.

MJÖG MIKILL LOFTRAKI – HÆTTA

Þétting verður þegar vatnsgufa í lofti kemst í snertingu við kalt yfirborð s.s. loft, glugga eða vegg. Í miklum raka getur loftið staðnað og mygla myndast sem skemmir húsið og innréttingu þess. Þetta umhverfi getur einnig leitt til sjúkdóma íbúanna þar sem að m.a. miltar þrífast í röku umhverfi. Til að ná sem bestum árangri skal halda lokuðum hurðum og gluggum rýmanna sem á að rakaeyða í. Rakaeyði er hægt að nota í kjöllurum, þvottahúsum, bílskúrum, hjólhúsum, sumarbústöðum og í bátum.

ATHUGIÐ!

Þegar tækinu er komið fyrir í sturtuáðstöðu eða baðherbergi ætti rakaeyðirinn að vera fast í stað. Það er skylda að athuga og virða staðbundnar reglugerðir um raftengingar á baðherbergjum áður en tækið er notað.

NOTKUN WOOD'S RAKAEYÐA

Ef rakaeyðirinn er fluttur láréttur skal láta hann standa uppréttan í 4 klukkustundir fyrir notkun. Það er mjög mikilvægt að olían renni til baka í pressuna, þar sem rakaeyðirinn getur annars skemmt alvarlega. Það er auðvelt að færa Wood's rakaeyðana þegar þeir eru búnir hjólum. Allt sem þarf er nálægð við rafmagnsinnstungu fyrir 220-240 V, en hafðu í huga eftirfarandi:

Rakaeyðinn skal ekki staðsetja nálægt ofnum eða öðrum hitagjöfum eða undir beinu sólarljósi þar sem slíkt getur haft áhrif á afköst hans.

- Það er gagnlegt að nota ofn eða hitablasara til að halda hitastigi fyrir ofan + 2 ° C.

.

- Það er hentugast að setja rakaeyðinn eins miðsvæðis í rýmið/svæðið og mögulegt er.

1. Athugið hvort að vatnsgeymirinn sé rétt ísettur.
2. Tengid rakaeyðinn við jarðtengda innstungu.
3. Veldu viðeigandi rakastillingu eða rakastig með stjórnborðinu.

ATH!

Þegar rakaeyðirinn slekkur á sér, geta

FLOTHOLT

Flotholtið samanstendur af hvítu plasthylki með tveimur vírum sem hanga í tveimur örmum. Flotholtið flýtur og þegar vatnshæðin hækkar lyftist það upp. Þegar flotholtið hefur náð ákveðinni hæð greinir rakaeyðirinn það og slekkur sjálfkrafa á sér til að koma í veg fyrir flóð. Þegar vatnsgeymirinn hefur verið tæmdur skal setja hann aftur í á eftirfarandi hátt:

TÆMING VATNSLÁTA

1. Þegar vatnsgeymirinn er fullur skal draga hann varlega út á við og tæma hann í niðurfalið.
2. Ýtið vatnsgeyminum inn aftur þar til hann snertir flotholtið.
3. Lyftið neðri brún vatnsgeymisins til að halla vatnsgeyminum lítillega.
4. Flotholtið á nú að vera í vatnsgeyminum, í stað þess að vera klemmt á bak við hann.

ATHUGIÐ!

Það er mikilvægt að flotid hangi frítt, vegna þess að tilgangur þess er að greina vatnshæð í tankinum og tryggja að rakaeyðirinn slökkvi á sér þegar vatnsmagnið er hátt. Ranglega staðsett flot getur valdið yfirflæði í vatnsgeyminum.

TÆMIÐ VATNIÐ Í NIÐURFALLIÐ

1. Takið rakaeyðinn úr sambandi og fjarlægid vatnsgeyminn til að komast að gengjuðu tengingunni undir lekabakkanum.
2. Festið slöngutengið og leiðið slönguna í niðurfallið.
3. Setjið tengingu rakaeyðisins í innstunguna.
4. Án slöngu og beint yfir niðurfallið: Staðsetjið rakaeyðinn beint yfir niðurfallinu þannig að vatn úr honum geti runnið í gegnum gatið á botni rakaeyðisins og niður í niðurfallið.

SJÁLFRIRK SLOKKNUN

1. Takið rakaeyðinn úr sambandi.
2. Tæmið vatnsgeyminn
- 3.
4. Setjið rakaeyðinn í samband. Rakaeyðirinn endurræsist í sömu stillingu og hann var í þegar hann var aftengdur.

LOFTSÍA

Loftsían aftan á rakaeyðinum tryggir að kælispiralarnir séu lausir við ryk. Því ætti að skipta um síuna þegar þörf krefur.

Við mælum með því að skipta um síu a.m.k. einu sinni á ári.

SJÁLFRIRK AFÍSING

Stjórneiningin slekkur á pressunni sem veldur því að kælingin á spirólunum stöðvast. Viftan heldur áfram að soga stofuhitaloft í gegnum rakaeyðinn og bræðir þannig ísinn og vatnið rennur niður í vatnsgeyminn.

VIFTA

Viftan tryggir að loft streymi í gegnum rakaeyðinn. Rakt loft sogast inn að aftan og í gegnum eiminn og eimsvallann og sleppir þurru lofti út ofan á rakaeyðinum.

ÞRIF OG VIÐHALD

- Loftúttakið er hægt að ryksuga eða þrifa með burstu. Gæta skal varúðar til að koma í veg fyrir að raufarnar skemmist.
- Best er að hreinsa kælispiralana með klút og heitu vatni. Gætið varúðar.
- Viftumótorinn er varanlega smurður og þarf ekkert viðhald.

ATHUGIÐ!

Takið rafmagnssnúruna úr sambandi fyrir þrif.

ÁBENDINGAR

- Bestur árangur næst ef tækinu er komið fyrir í miðju herberginu.
- Hækkið hitastigið í herberginu til að fá hraðari rakaeyðingu. (Heitt loft getur flutt meira vatn). Notaðu frostvörn ef hitastigið fer niður fyrir + 2° C
- Rakaeyðirinn dregur meira vatn á sumrin og haustin vegna þess að útiloftið er þá hlýtt og rakt. (Algildisraki er yfirleitt meiri).
- Ráðlögð mörk fyrir notkun:
- Hitastig
- Rakastig: 30% til 90%
- Ráðlagt rakastig u.þ.b. 50% RH

EF AÐ RAKAEYÐIRINN ÞARFNAST VIÐHALDS

Ef rakaeyðirinn þarfnast viðhalds skal fyrst hafa samband við söluaðila.

ATHUGIÐ!

Fáðu 10 ára ábyrgð! Skráðu þig hjá warranty-woods.com
Skipta um SMF-síu að minnsta kosti einu sinni á ári. Farðu á www.woods.se til að fá frekari upplýsingar

ÁBYRGÐIR

Vinsamlegast athugið að ábyrgðin gildir aðeins við framvísun innkaupakvittunar

ÁBYRGÐ

TIL AÐ FÁ FRAMLENGDA ÁBYRGÐ, FRÁ 2 TIL 10 ÁRA, VINSAMLEGAST FYLGDU ÞESSUM SKREFUM.

1. Skráðu rakaeyðinn eftir að þú kaupir hann á warranty-woods.com
2. Skipta skal um SMF-síu í rakaeyðinum reglulega, að minnsta kosti einu sinni á ári. Ef þú vilt, sendum við þér áminningu skipta skal um síu. Áminningin er að sjálfsögðu án endurgjalds. Þú getur fundið síur hjá staðbundnum sölu- eða dreifingaraðila. Vinsamlegast farðu á woods.se til að finna söluaðila nálægt þér.

ATH!

Það er engin skylda að kaupa síur þegar þú skráir þurrktækið á warranty-woods.com

GEYMDU KVITTANIRNAR!

Þær eru nauðsynlegar fyrir allar ábyrgðarkröfur á tímabilinu.





사용 지침

가연성 물질. 이 장치는 가연성 냉매인 R290/프로판을 함유합니다.



오퍼레이터 매뉴얼을 참조하십시오.



기술 매뉴얼을 숙독하십시오



오퍼레이터 매뉴얼을 숙독하십시오.

안전 정보

장치를 설치하여 사용하기 전에 제공된 지침을 주의 깊게 읽으십시오. 잘못된 설치 및 사용으로 인한 부상 및 손상에 대해서는 제조업체가 책임지지 않습니다. 향후 참조를 위해 지침 설명서를 장치와 함께 보관하십시오.

어린이 및 취약자 안전



부상 또는 영구 장애의 위험.

이 장치는 만8세 이상 어린이와 신체적, 감각적 또는 정신적 능력이 감소된 사람 또는 경험 및 지식이 부족한 사람이라도 감독을 하거나, 장치의 안전한 사용 관련 지시를 하거나, 본인이 관련 위험을 이해하는 경우에는 사용할 수 있습니다. 어린이가 이 장치를 갖고 놀도록 하지 마십시오.

지속적으로 감독하지 않는 한 3세 미만 어린이는 떨어져 있어야 합니다. 모든 패키지를 어린이에게서 멀리 치우십시오. 감독 없이는 어린이가 청소 및 사용자 정비 해서는 안 됩니다.

일반 안전

이 장치는 가정에서 및 다음과 같은 경우에 사용하도록 의도되었습니다: 지하실, 기어다니는 공간; 숲, 오피스 및 기타 작업 환경에서의 스텝 키친 영역. 명판은 제습기의 물탱크 뒤에 있습니다. 환기 구멍이 막히지 않도록 하십시오.

성에 제거 프로세스를 가속화하기 위해 제조업체가 권장하는 수단 이외의 다른 수단 또는 기계적 장치를 사용하지 마십시오. 점화원이 지속적으로 작동하고 있는 방에 이 장치를 보관해서는 안 됩니다(나염, 작업 가스 장치, 전기 히터 등). 뚫거나 태우지 마십시오. 냉매는 무취일 수 있음에 유의하십시오. 워터 스프레이 및 스팀을 사용하여 이 장치를 청소하지 마십시오. 축축한 연한 천으로 장치를 청소하십시오. 중성 세제만 사용하십시오. 연마 제품, 연마 클리닝 패드, 용제 또는 금속 물건을 사용하지 마십시오. 전원 코드가 손상된 경우에는 위험을 피하기 위해 제조업체,

공인 서비스 센터 또는 유사한 적격자가 교체해야 합니다.

안전 지침



유자격자만 이 장치를 설치해야 합니다.

모든 포장재를 제거하십시오. 손상된 장치를 설치하거나 사용하지 마십시오. 장치를 바닥 면적이 4m² 이상의 방에 설치, 작동 및 보관해야 합니다. 장치와 함께 제공된 설치 지침을 엄격하게 준수하십시오. 이 장치는 무거우므로 이동할 때 항상 조심하십시오. 항상 안전 장갑을 착용하십시오.

장치 주위에 공기가 순환할 수 있도록 하십시오. 적어도 4시간을 기다린 후에 장치를 전원에 연결하십시오. 이는 오일이 다시 컴프레서로 흐르도록 하기 위함입니다. 장치를 라디에이터 또는 기타 열원 가까이에 설치하지 마십시오. 장치를 직사 일광 속에 설치하지 마십시오.

전기 연결



화재 및 감전 위험.

장치를 접지된 콘센트에 연결해야 합니다. 명판의 전기 정보가 전력 공급과 일치하는지 확인하십시오. 일치하지 않는 경우, 전기공에게 연락하십시오. 올바르게 설치된 감전 방지 소켓을 항상 사용하십시오. 멀티 플러그 어댑터와 연장 케이블을 사용하지 마십시오. 전기 구성품(예: 플러그, 케이블)이 손상되지 않도록 하십시오. 전기 구성품을 교체하려면 공인 서비스 센터 또는 전기 기사에게 요청하십시오. 케이블은 플러그 높이 아래에 유지되어야 합니다. 플러그는 설치가 끝날 때만 전원 소켓에 연결하십시오. 설치 후 플러그에 접근할 수 있는지 확인하십시오. 전력 케이블을 당겨서 장치의 전원을 분리하지 마십시오. 항상 플러그에서만 전력 케이블을 분리하십시오.

사용



부상, 화상, 감전 또는 화재 위험.

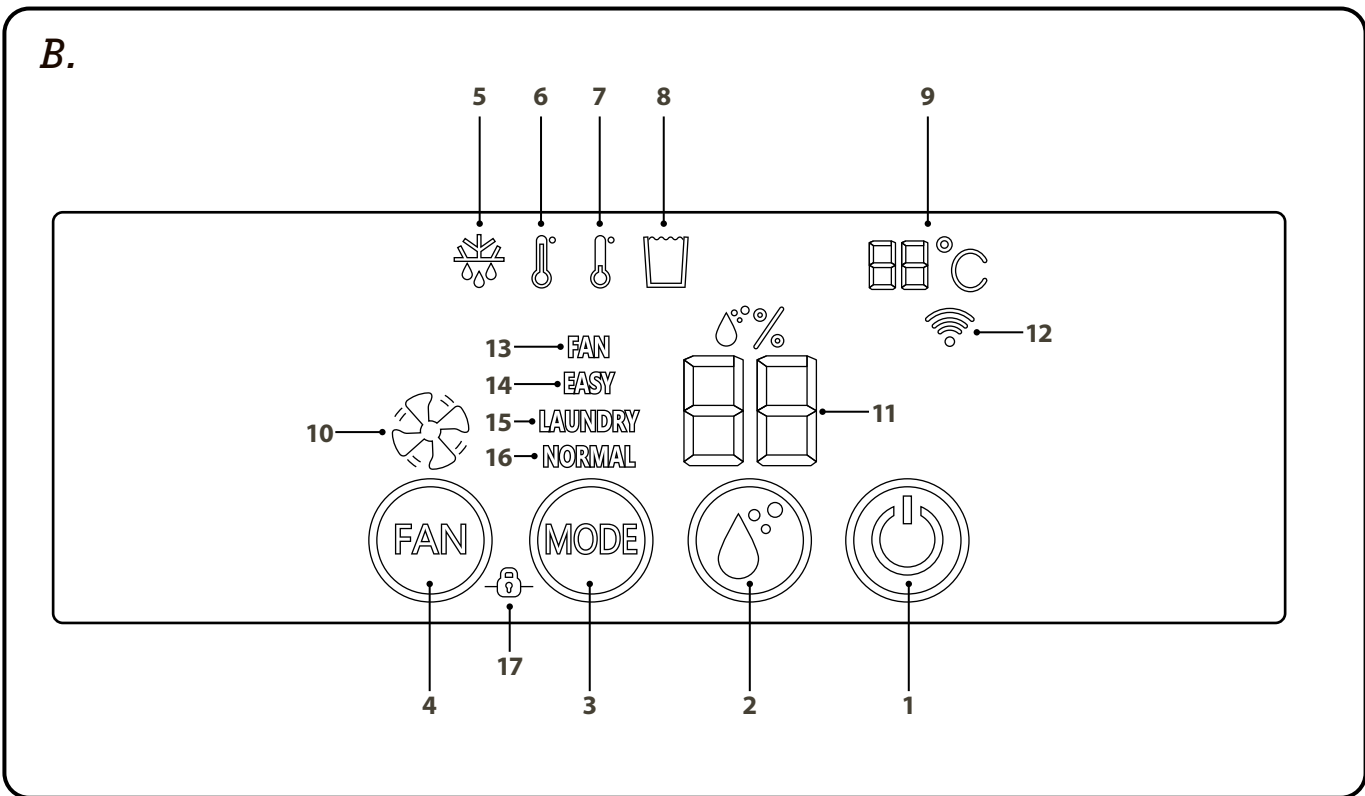
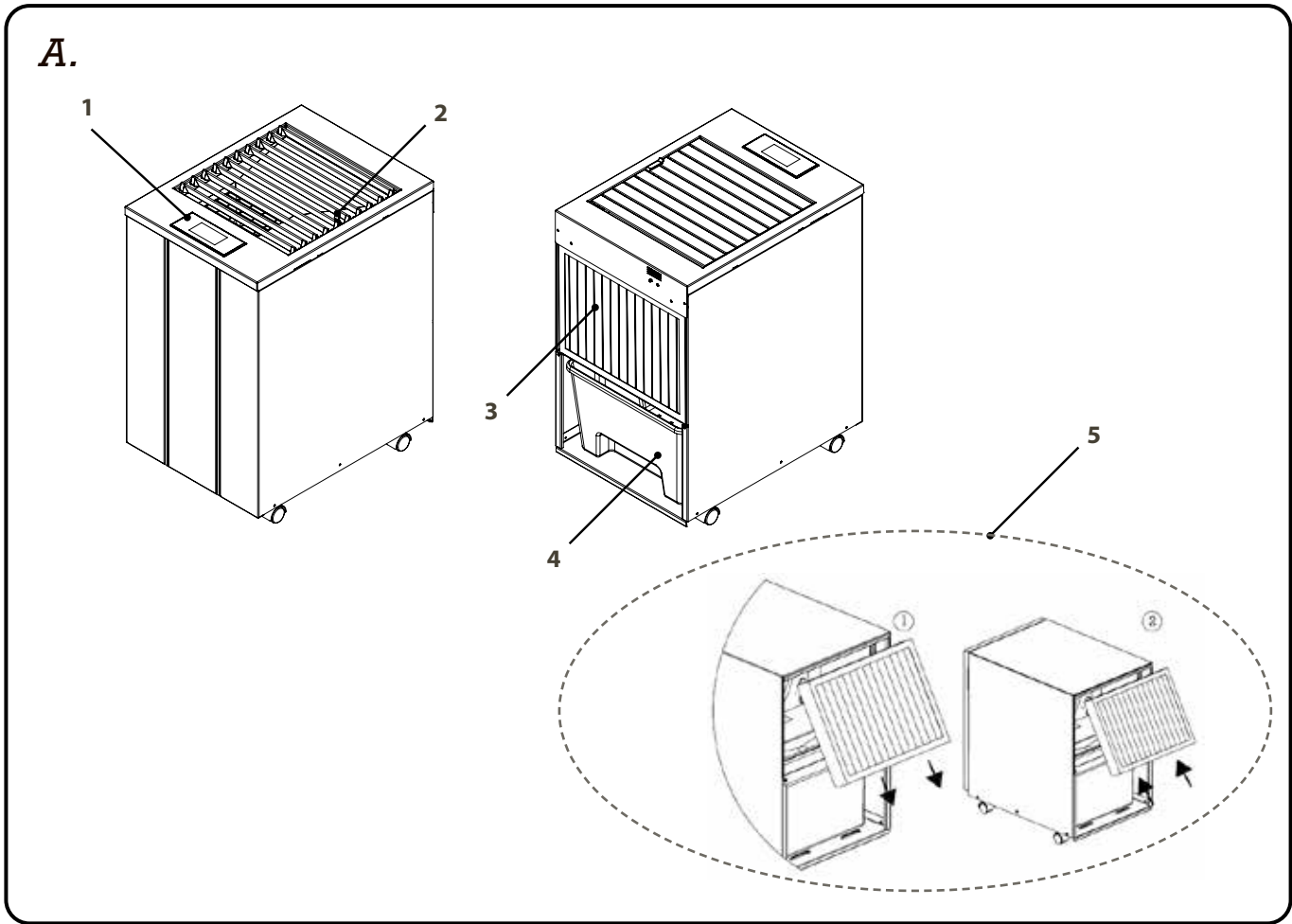
이 장치의 규격을 변경하지 마십시오. 냉매 회로를 손상시키지 않도록 주의하십시오. 환경 병립성 수준이 높은 천연 가스인 프로판(R290)이 함유되어 있습니다. 이 가스는 가연성입니다. 냉매 회로가 손상되는 경우, 방 안에 화염과 점화원이 없는지 확인하십시오. 방을 환기시키십시오. 가연성 제품 또는 가연성 제품으로 젖은 물건을 이 장치 가까이 또는 위에 놓지 마십시오.

처분



부상 위험.

주 전원에서 장치를 분리하십시오. 주 케이블을 잘라 폐기하십시오. 이 장치의 냉매 회로는 오존 친화적입니다. 장치를 올바르게 폐기하는 방법에 대한 정보는 현지 당국에 문의하십시오. 열 교환기에 가까운 냉각 장치 부분을 손상시키지 마십시오.



제품 설명

A.

1. 제어반
2. 공기 흐름을 열기/닫기/조준하기 위한 레버 조작
3. 에어 필터
4. 물 용기
5. 에어 필터 교체”

B.

제어반 - 기능 설명

LD 시리즈의 제습기에는 간단하고 편리한 사용을 위한 직관적 제어반이 구비되어 있습니다. 제어반은 주 전원 연결 또는 마지막 입력으로부터 20초 후에 유틸 모드로 내려가며 기능 키들이 위치한 영역을 터치하면 다시 살아납니다. 모든 키 스트로크는 삐 소리와 함께 확정됩니다.

기능 키

1. 온/오프 - 제습기를 켜고 끕니다. 오프 모드에서 에너지 소비량은 0.5W입니다.
2. 원하는 습도 설정 - 프로그램 모드 “정상” 및 “팬”이 활성화된 경우에만. 원하는 습도는 35 - 75% 사이에서 1퍼센트 포인트 단계별로 설정할 수 있습니다. 설정된 값은 처음에는 고정되어 표시되다가 깜박인 후에 실제 값이 다시 나타납니다.
3. 모드 선택 - 작동 프로그램의 선택, 아래 포인트 13-16 참조.
4. 팬 속도 - “정상” 및 “팬” 모드에서 팬의 속도는 저속 또는 고속으로 설정할 수 있습니다. 속도들 사이의 전환은 몇 초 지체되었다가 이루어집니다.

알람 / 정보

5. 성에 제거 - 필요한 경우, 냉각 회로가 자동으로 제상됩니다. 이 때 컴프레서가 꺼지고 팬만 작동됩니다. 제습 프로세스가 다시 시작되면 제상 기호는 사라집니다.
6. 주위 온도 너무 높음 - 주위 온도가 35°C를 초과하면 제습 프로세스가 중단되고 주위 온도가 35°C 아래로 떨어지면 자동으로 재개됩니다. 이 기호는 주위 온도가 35°C 이상인 동안에는 계속 켜져 있습니다.
7. 실내 온도 낮음 - 주위 온도가 2°C 아래로 떨어지면 제습 프로세스가 중단되고 주위 온도가 2°C 위로 올라가면 자동으로 재개됩니다. 이 기호는 온도가 2°C 이하인 동안에는 계속 켜져 있습니다.
8. 응결수 탱크 가득 참 - 이 탱크가 가득 차면 가청 신호가 20초 동안 울리고 기호가 켜집니다. 물탱크를 비우고 다시 장착하면 작동 프로그램이 자동으로 리셋됩니다. 부표가 탱크에 자유롭게 뜨있는지 확인하십시오.
9. 실내 온도 - 감지된 주위 온도를 표시합니다.
10. 팬 속도 - 팬과 대시는 높은 속도를 표시하고 팬만은 낮은 속도를 표시합니다.
11. 상대습도 - 현재 값과 원하는 목표 값을 표시합니다. 목표 값 설정과 관련된 후자.
12. WiFi - WiFi가 연결되었을 때를 표시합니다. 이 기능이 구비된 모델에만 해당됩니다.

작동 모드

13. 팬 모드 - 지속적 공기 순환을 원하는 경우에 사용됩니다. 습도를 위한 팬 속도와 목표 값을 설정할 수 있습니다. 설정된 목표 값에 도달하면 컴프레서만 꺼지고 습도가 올라가면 다시 시동됩니다.
14. 콤포트 모드 (EASY) - 제습기는 50% 상대습도를 목표로 하고 팬은 낮은 속도에 설정됩니다. 목표 값에 도달하면 컴프레서와 팬이 꺼지고 습도가 50% 위로 올라가면 다시 시동됩니다.
15. 세탁물 건조 모드 (LAUNDRY) - 수동으로 끄거나 이 모드를 변경할 때까지 제습 프로세스가 가동되고 팬은 높은 속도에 있습니다.
16. 정상 모드 (NORMAL) - 습도와 팬 속도의 목표 값을 수동으로 설정하기 위해 사용됩니다. 설정된 목표 값에 도달하면 컴프레서와 팬이 꺼지고 습도가 목표 값 위로 올라가면 다시 시동됩니다.
17. 잠금 기능 - 설정값이 우발적으로 변경되는 것을 막기 위해 사용됩니다. 잠금 기능은 팬 키와 모드 키를 동시에 3초 동안 작동합니다. 잠금 기능 비활성화도 같은 방식으로 이루어집니다.

기술 데이터

	LD40	LD44	LD48PRO+
최대 작업 면적	100 m ²	140 m ²	180 m ²
공기 흐름 단계 1	200 m ³ /h	160 m ³ /h	160 m ³ /h
공기 흐름 단계 2	350 m ³ /h	300 m ³ /h	300 m ³ /h
20°C 및 70% r.h.에서의 제습	7,5 L/24h	11 L/24h	16 L/24h
30°C 및 80% r.h.에서의 제습	13 L/24h	19 L/24h	31 L/24h
20°C 및 70% r.h.에서의 전력	180 W	285 W	450 W
20°C 및 70% r.h.에서의 에너지 소비	4.3 kWh/24 h	8 kWh/24 h	9.1 kWh/24 h
탱크 용량	11 l	11 l	11 l
냉매	R290	R290	R290
냉매 교체	99 g	115 g	130 g
전압	230 V	230 V	230 V
주파수	50 Hz	50 Hz	50 Hz
퓨즈	10 A	10 A	10 A
IP-클래스	X1	X1	X1
치수 (L x W x H)	460 x 345 x 575 mm	460 x 345 x 575 mm	460 x 345 x 575 mm

*기술 변경 및 개선이 발생할 수 있습니다. 모든 값은 근사치이며 온도, 환기 및 습도 같은 외부 상황에 따라 변할 수 있습니다.

문제

해결책

제습기가 시동되지 않는다	<ul style="list-style-type: none"> 제습기가 소켓에 연결되어 있고 퓨즈가 끊어지지 않았는지 확인하십시오. 기호 아이콘이 켜지는 경우, 물탱크가 비어 있고 제습기에 올바르게 장착되어 있는지 확인하십시오. 부표가 자유롭게 뜨있는지 확인하십시오. 장비의 제어판을 "깨움"으로써 제어판에 습도값이 표시되는지 확인하십시오. 이 값이 설정된 값보다 더 높으면 5분 이내에 제습기가 시동됩니다. 전원 코드를 뽑고 10초 기다렸다가 다시 연결하십시오.
제습기가 시동되지 않는다	<ul style="list-style-type: none"> 팬 휠이 돌고 있는지 확인하십시오. 에어가 자유롭게 제습기를 통해 흐를 수 있는지 확인하십시오. 에어 이미션과 에어 필터가 깨끗해야 하고 제습기가 벽에서 적어도 20-30 cm 떨어져야 합니다. 컴프레서가 가동되고 있는 소리가 나는지 듣되, 제상 주기에 있어서 컴프레서가 일시 정지할 수 있음을 염두에 두십시오. 약 30분 동안 기다렸다가 시작하십시오. 필터 뒤 냉각 코일 / 슬랫에 두꺼운 얼음층이 형성되지 않는지 체크하십시오.
소음 수준 높음/덜컹덜컹거림	<ul style="list-style-type: none"> 제습기와 주변 표면 사이의 거리를 늘리십시오. 냉각 코일들이 서로 접촉하여 진동을 야기할 수 있습니다. 전기 콘센트에서 제습기를 분리하고 루프들을 격리하십시오
응결수가 모이지 않음	<ul style="list-style-type: none"> 냉각 코일 아래의 드립 트레이에 오물 등이 침전되지 않는지 체크하고, 필요한 경우 청소하십시오. 온도가 2°C ~ 35°C인지 체크하십시오.
물탱크가 가득 찰 때 중단되지 않음	<ul style="list-style-type: none"> 물탱크의 부표가 자유롭게 뜨있는 것이 중요합니다. 자유롭게 뜨있지 않으면 수위를 감지할 수 없어서 제습기를 정지시킵니다.
오류 코드 E2	<ul style="list-style-type: none"> 디스플레이에 E2가 표시되면 습도 센서 결함일 수 있습니다. 전원 코드를 뽑고 10초를 기다렸다가 다시 연결해보십시오. 오류 코드가 지속되면 대리점에 연락하십시오.

제습기에 문제가 있는 경우, 문제 해결 가이드를 참조하십시오. 위의 어느 것도 효과가 없는 경우에는 딜러에게 연락하여 제습기 수리를 받으십시오.

세계 유수의 제습기 WOOD'S

Wood's는 다년간 제습기 분야에서 시장 리더로 알려져 왔습니다. 우리의 효율적인 제습기는 에너지 소비량이 낮기 때문에 온도 및 습도 수준이 더 낮은 데서도 제습이 필요한 대부분의 까다로운 기후에서도 사용하기에 적합합니다.

당사의 제습기는 지하실, 차고, 여름 별장, 세탁실, 기는 공간 및 욕내 풀장 같이 축축해지는 장소에서도 최적의 결과를 제공합니다. 또한 옷과 직물을 마모시킴이 없이 효과적으로 건조시킬 수 있는 능력은 덤입니다.

제습기가 제거하는 습기의 양은 온도, 습도 및 배치에 의존합니다. 욕외 날씨도 제습기 성능에 영향을 미칩니다. 추운 날씨에서는 욕내 상대습도가 떨어지므로 제습기가 공기에서 흡수하는 습기량이 줄어듭니다. 그러므로 이 제습기는 +2°C ~ +35°C의 온도 범위에서 사용하도록 조정되어 있습니다. Wood's 제습기는 다년간 연속 작동해도 안전하도록 설계되었습니다.

과도한 공기 습도 - 위험

공기의 수증기가 천장, 창 또는 벽 같은 차가운 표면과 접촉하면 응결이 발생합니다. 수증기가 냉각되면 응결이 발생하여 물방울이 형성됩니다. 습도가 높으면 공기가 진부해져 곰팡이가 형성됨으로써 가옥과 그 인테리어가 손상됩니다. 또한 이 환경은 무엇보다도 습한 환경에서 진드기가 번성할 때 거주자들에게 병을 일으킬 수 있습니다. 고성능 제습기는 최적의 건강한 습기 수준을 만듭니다. 최상의 효과를 달성하기 위해서는 제습할 공간의 문과 창문을 닫아두어야 합니다. 제습기는 나쁜 냄새를 제거하고, 목재를 말리며 욕외 사용 등을 위해 스포츠 장비에서 습기를 제거합니다. 제습기를 지하실, 세탁실, 차고, 카라반, 여름 별장에서 그리고 보트에서 사용할 수 있습니다. 이 제습기를 더 추운 환경에서 사용하는 경우에는 사용 지침 말미의 힌트를 면밀히 살펴보십시오.

참고!

사위장 또는 목욕장에 배치할 때는 제습기를 제자리에 고정시켜야 합니다. 사용하기 전에 현재의 욕실 전기 규정을 체크하여 준수하는 것이 필수적입니다.

WOOD'S 제습기 사용

제습기를 수평으로 운반한 경우, 똑바로 세워서 4시간 동안 둔 후에 사용하십시오. 컴프레서 안으로 오일이 다시 흐르는 것이 매우 중요합니다. 그렇지 않으면 제습기가 심각한 손상을 입을 수 있습니다. Wood's 제습기는 휠이 달려있으면 이동하기가 쉽습니다. 요구되는 것은 220-240 V 전기 콘센트에 가까이 있는 것뿐이지만 다음 사항을 염두에 두십시오:

성능이 떨어지므로 제습기를 라디에이터 또는 기타 열원 가까이에 배치해서는 안 되며 직사일광에 노출해서도 안 됩니다.

- 온도를 +2°C 이상으로 유지하기 위해 라디에이터 또는 가열 팬을 사용할 수 있습니다.
- 최대한의 공기 흐름을 확보하기 위해 제습기를 벽과 기타 장애물에서 적어도 25cm 띄워 배치해야 합니다.
- 제습기를 방/지역의 가능한 한 중앙에 배치하는

것이 이상적입니다.

1. 물탱크가 올바르게 장착되었는지 체크하십시오.
2. 제습기를 접지된 전기 콘센트에 연결하십시오.
3. 제어반을 통해 원하는 습도 프로그램 또는 습도 레벨을 선택하십시오. 기능 설명 섹션을 참조하십시오.

참고!

제습기를 끄면 다시 시동하는 데 5분이 소요됩니다.

부표

부표는 두 와이어에 매달린 흰색 플라스틱 실린더가 두 팔로 걸쳐 있는 것입니다. 부표는 부양성이기 때문에 수위가 상승하면 부표도 위로 떠오릅니다. 부표가 일정 높이에 도달하면 제습기가 이를 감지하여 범람을 예방하기 위해 자동으로 꺼집니다. 물탱크를 비울 때 다음 방식으로 다시 장착해야 합니다:

물탱크 비우기

1. 물탱크가 가득 차면 살짝 바깥쪽으로 당겨 드레인에 비웁니다.
2. 물탱크를 뒤로 밀어 부표에 당도록 합니다.
3. 물탱크의 바닥 가장자리를 들어 물탱크를 살짝 기울입니다.
4. 물탱크를 마지막까지 쭉 밀니다. 이제 부표가 물탱크 뒤에 고정되지 않고 그 안에 있게 됩니다.

참고!

부표가 자유롭게 뜨는 것이 중요합니다. 왜냐하면 부표의 목적이 탱크의 수위를 감지하여 수위가 높으면 제습기가 꺼지도록 하는 것이기 때문입니다. 부표 배치가 잘못되면 물탱크가 범람할 수 있습니다.

물을 하수구로 배출

1. 전기 콘센트에서 제습기를 분리하고 물탱크를 제거하여 드립 트레이 아래의 나사산 연결 부위에 접근합니다.
2. 호스 커플링을 나사산 커넥터에 부착하고 호스를 드레인으로 이끕니다. 호스가 드립 트레이보다 더 낮은 위치에 장착되도록 합니다.
3. 제습기 플러그를 소켓에 끼웁니다.
4. 호스 없이 드레인 바로 위에: 제습기를 드레인 바로 위에 배치하여 응결수가 제습기 하단의 구멍을 통해 드레인 안으로 떨어질 수 있도록 합니다.

자동 정지

물탱크가 가득 차면 제습기가 자동으로 정지되어, 물탱크를 비워야 제습기를 다시 사용할 수 있음을 신호합니다. 기능 설명을 참조하십시오.

1. 전기 콘센트에서 제습기를 분리합니다.
2. 물탱크를 비웁니다.
3. 비운 물탱크를 다시 설치하고 부표가 자유롭게 뜨는지 확인합니다. 부표 섹션을

참조하십시오.

4. 제습기를 전기 콘센트에 연결합니다. 제습기는 분리되었을 때와 같은 모드에서 재시동됩니다.

에어 필터

제습기 뒤의 에어 필터는 냉각 코일이 분진 없이 유지되도록 합니다. 에어가 제습기를 통해 자유롭게 흐를 수 있도록 필터가 깨끗한 것이 중요합니다. 그러므로 필요할 때 필터를 교체해야 합니다.

이 제습기에는 SMF 필터가 장착되어 있어서 공기를 더욱 정화하면서 제습기 능력도 향상시킵니다. 에어 필터 교체 지침을 참조하십시오. 일년에 적어도 한 번 필터를 교체하는 것이 권장됩니다. 보증 프로그램을 준수하기 위해 제습기를 warranty-woods.com에 등록하십시오

자동 성에 제거

Wood's 제습기에는 필요한 경우 냉각 코일이 제상되도록 하는 제어 시스템이 구비되어 있습니다. 이 제어 시스템은 컴프레서를 꺼서 루프의 냉각이 중단되게 합니다. 팬이 계속해서 제습기를 통해 실내 온도 공기를 끌어당김으로써 얼음이 녹아 물이 아래의 물탱크 안으로 흐릅니다. 이 제어 시스템으로 인해 제습기가 +2°C의 낮은 온도에서도 작동할 수 있습니다”

팬

팬은 공기가 제습기를 통해 흐르게 합니다. 습한 공기가 뒤로 부터 증발기와 컨덴서를 통해 흡인되고 건조되어 제습기 위에 방출됩니다.

청소 및 정비

Wood's 제습기는 높은 제습 능력을 유지하기 위해 청소와 필터 교체를 요구합니다.

- 공기 출구는 진공청소기로 청소하거나 브러시로 청소할 수 있습니다. 슬릿이 손상되지 않도록 주의하십시오.
- 냉각 코일은 천과 온수로 청소하는 것이 가장 좋습니다. 조심하십시오.
- 팬 모터는 영구 윤활되어 있으므로 정비가 요구되지 않습니다.

참고!
청소하기 전에 전기 콘센트에서 전원 코드를 뽑으십시오.

힌트

- 최대한의 실내 제습 능력을 위해 바깥과 인접 방으로부터 공급되는 공기가 최소화되도록 하십시오 - 문과 밸브를 닫으십시오. 가능하면 제습기를 방의 중앙에 배치하십시오.
- 더 빠른 제습을 위해 실내 온도를 올리십시오. (뜨거운 공기가 더 많은 수분을 지닐 수 있습니다). 온도가 +2°C 밀로 떨어지는 경우에는 성에 가드를 사용하십시오
- 제습기는 여름과 가을에 더 많은 수분을 추출합니다. 옥외 공기가 따뜻하고 습하기 때문입니다. (절대습도가 일반적으로 더 높습니다).
- 사용을 위한 권장 한도:
 - 온도 LD + 2°C ~ + 35°C
 - 상대습도: 30% ~ 90%
 - 권장 습기 수준 약 50% RH

제습기가 서비스를 요구하는 경우

제습기에 서비스가 요구되는 경우, 먼저 소매점에 연락하십시오. 모든 보증 클레임을 위해 구입 증빙이 요구됩니다.

참고!
10년 보증을 받으십시오! warranty-woods.com에 등록하십시오
SMF 필터를 적어도 년 1회 교체하십시오.
상세 정보를 위해 woods.se를 방문하십시오

보증

제조상의 하자는 2년 보증입니다. 보증은 구입 영수증을 제시하는 경우에만 유효합니다

중요!
Wood's 제습기는 전압이 220V-240V 50Hz이고 접지된 전기 콘센트에 연결해야 합니다.

보증

2년~10년의 보증 연장을 받으려면 다음 단계를 따르십시오.

1. 구입 후 제습기를 warranty-woods.com에 등록합니다
2. 제습기의 SMF 필터를 규칙적으로, 적어도 1년에 한 번 교체합니다. 원하시는 경우, 우리는 필터 교체 시기가 되면 리마인더를 보내드립니다. 리마인더는 물론 무료입니다. 필터는 현지 소매점 또는 대리점에서 찾을 수 있습니다. 가장 가까운 Wood's 대리점을 찾으려면 woods.se를 방문하십시오.

참고!

제습기를 warrantywoods.com에 등록할 때 필터를 구입할 의무는 없습니다

영수증을 보관하십시오!

해당 기간 중 보증 클레임을 위해서는 영수증이 요구됩니다.





NAUDOJIMO INSTRUKCIJA

Degioji medžiaga. Šiame prietaise yra degaus šaltnešio R290 / propano.



Žr. operatoriaus vadovą.



Žr. techninį vadovą



Žr. operatoriaus vadovą.

SAUGOS INFORMACIJA

Prieš įrengdami ir naudodami prietaisą, atidžiai perskaitykite pateiktus nurodymus. Gamintojas neatsako už sužalojimus ir pažeidimus, atsiradusius neteisingai naudojant prietaisą. Instrukciją visada laikykite prie prietaiso, kad prirėikus galėtumėte pasiskaityti.

VAIKŲ IR PAŽEIDŽIAMŲ ŽMONIŲ SAUGA

ĮSPĖJIMAS ⚠

Susižalojimo arba nuolatinio neįgalumo pavojus.

Šį prietaisą gali naudoti vaikai nuo 8 metų ir asmenys, turintys psichinę, jutiminę ar fizinę negalią, arba neturintys pakankamai patirties ar žinių, jei juos prižiūri arba išmoko saugiai naudotis prietaisu kitas asmuo ir jei jie supranta su prietaiso naudojimu susijusius pavojus. Neleiskite vaikams žaisti su prietaisu. Jaunesni kaip 3 metų vaikai turėtų būti laikomi atokiau, nebent jie būtų nuolat prižiūrimi.

Visas pakuotes laikykite atokiau nuo vaikų. Prietaiso valymo ir priežiūros darbų vaikai be priežiūros atlikti negali.

BENDROJI SAUGA

Šis prietaisas yra skirtas naudoti namų ūkyje ir panašiose vietose, pavyzdžiui, rūsiuose, ankštose erdvėse, parduotuvių, biurų ir kitų įstaigų darbuotojų virtuvių zonose. Duomenų plokštelė yra už sausintuvo vandens bakelio. Negalima uždengti ventilacijos angų.

Nenaudokite mechaninių įtaisų ar kitų priemonių atitirpinimo procesui pagreitinti, išskyrus gamintojo rekomenduotus. Prietaiso negalima laikyti patalpoje, kurioje yra nuolat veikiančių degimo šaltinių (atvira liepsna, veikiantis dujinis prietaisas, elektrinis šildytuvas ir pan.). Prietaiso negalima badyti ar deginti. Turėkite omenyje, kad

šaltnešis gali neturėti kvapo. Prietaisui valyti nenaudokite vandens srovės ir garų. Prietaisą valykite minkšta drėgna šluoste. Naudokite tik neutralius ploviklius. Nenaudokite abrazyvinių gaminių, abrazyvinių šluosčių, tirpiklių ar metalinių daiktų. Jei maitinimo laidas yra pažeistas, jis turi būti pakeistas gamintojo, jo įgalioto techninės priežiūros centro arba kito kvalifikuoto asmens, išvengiant galimo pavojaus.

SAUGOS INSTRUKCIJOS

ĮSPĖJIMAS ⚠

Šį prietaisą turėtų įrengti tik kvalifikuotas asmuo.

Pašalinkite visas pakuotes medžiagas. Neįrenkite ir nenaudokite pažeisto prietaiso. Prietaisą galima įrengti, eksploatuoti ir laikyti patalpoje, kurios grindų plotas didesnis nei 4 m². Atidžiai laikykitės su prietaisu pateiktų įrengimo nurodymų. Prietaisą perkeltite atsargiai, nes jis yra sunkus. Visada mūvėkite apsaugines pirštines.

Pasirūpinkite, kad aplink prietaisą oras galėtų laisvai cirkuliuoti. Prieš prijungdami prietaisą prie maitinimo šaltinio, palaukite bent 4 valandas. Per šį laiką alyva subėgs atgal į kompresorių. Neįrenkite prietaiso arti radiatorių ar kitų šilumos šaltinių. Neįrenkite prietaiso tiesioginių saulės spindulių apšviečiamoje vietoje.

ELEKTROS MAITINIMO PRIJUNGIMAS

ĮSPĖJIMAS ⚠

Gaisro ir elektros smūgio rizika.

Prietaisas turi būti prijungtas prie įžeminto maitinimo lizdo. Įsitikinkite, kad duomenų plokštelėje esanti elektros maitinimo informacija atitinka maitinimo šaltinio duomenis. Jei taip nėra, kreipkitės į elektriką. Visada naudokite tinkamai įrengtą smūgiams atsparų lizdą. Nenaudokite šakotuvų ir ilgintuvų. Pasirūpinkite, kad nebūtų pažeisti elektros komponentai (pvz., kištukas, kabelis). Kreipkitės į įgaliotąjį techninės priežiūros centrą arba elektriką, kad pakeistų elektros komponentus. Maitinimo laidas turi būti žemiau kištuko lygio. Kištuką į maitinimo lizdą įjunkite tik pabaigę įrengimą. Pasirūpinkite, kad įrengus prietaisą kištukas būtų lengvai pasiekiamas. Norėdami išjungti prietaisą, netraukite maitinimo kabelio. Visada atjunkite maitinimo laidą laikydami tik už kištuko.

NAUDOJIMAS

ĮSPĖJIMAS ⚠

Sužeidimų, nudegimų, elektros smūgio ar gaisro pavojus.

Nekeiskite šio prietaiso specifikacijos. Būkite atsargūs, kad nepažeistumėte šaltnešio kontūro. Jame yra propano (R290), aplinkoje lengvai pasklindančių gamtinių dujų. Šios dujos yra degios. Jei pažeidžiamas šaltnešio kontūras, pasirūpinkite, kad patalpoje nebūtų liepsnos ir uždegimo šaltinių. Vėdinkite patalpą. Nedėkite degių gaminių ar daiktų, persisunkusių degiais gaminiiais, šalia arba ant prietaiso.

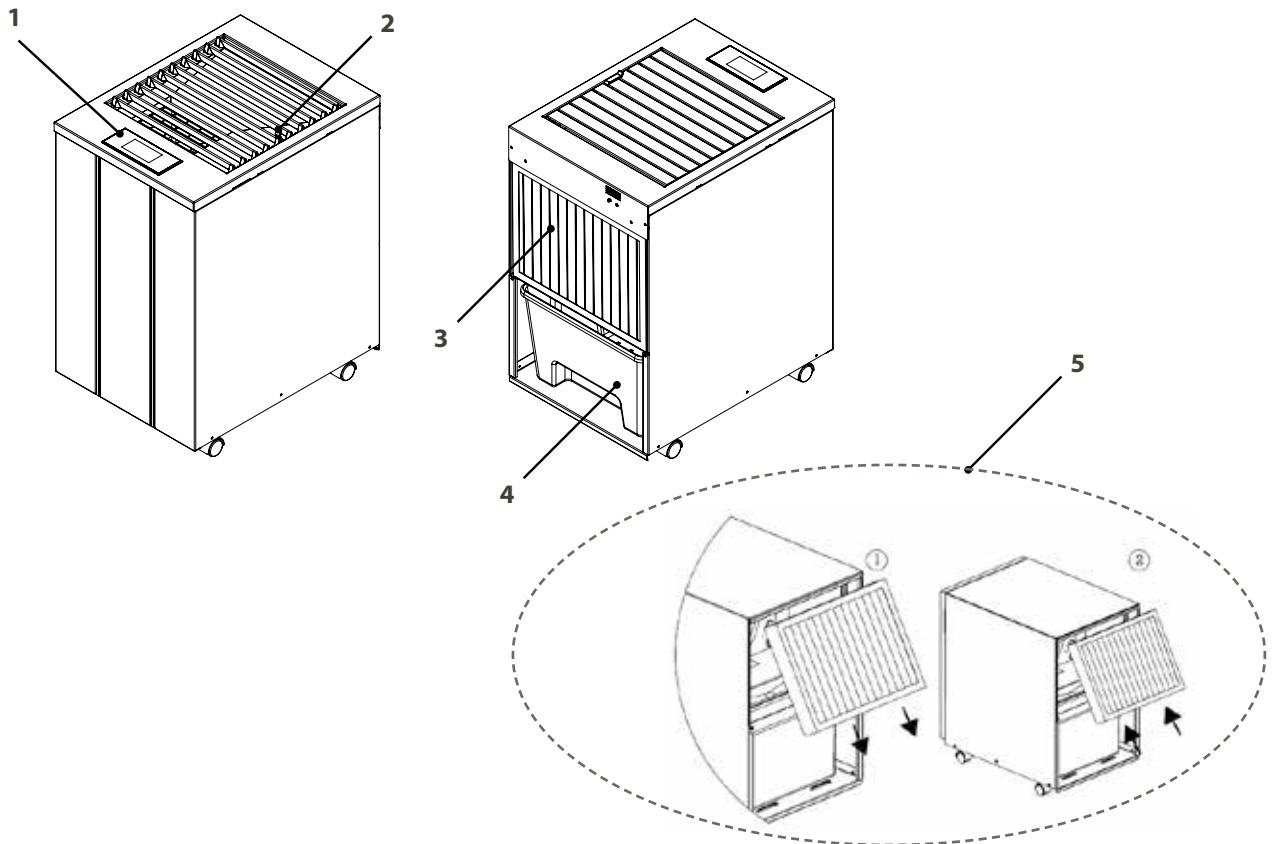
ŠALINIMAS

ĮSPĖJIMAS ⚠

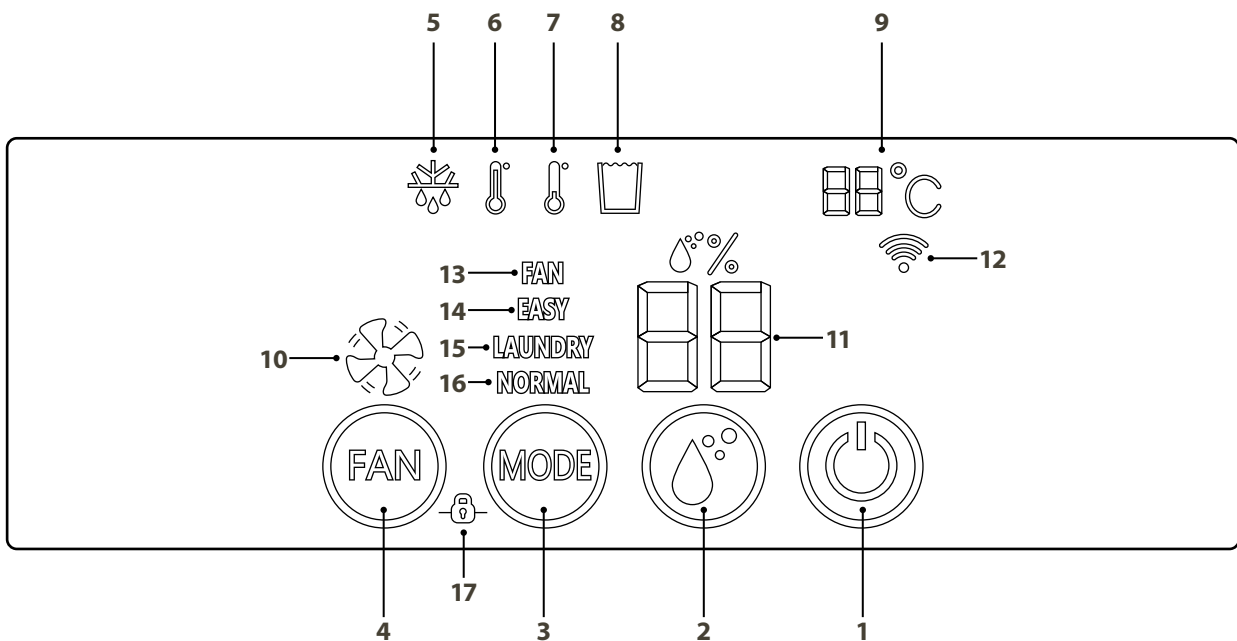
Pavojus susižeisti.

Atjunkite prietaisą nuo maitinimo tinklo. Nupjaukite maitinimo laidą ir išmeskite. Šio prietaiso šaltnešio kontūras nekenkia ozonui. Informacijos apie tai, kaip tinkamai išmesti prietaisą, teiraukitės vietinėje atsakingoje įstaigoje. Nepažeiskite aušinimo įrenginio dalies, esančios šalia šilumokačio.

A.



B.



PRODUKTO APRAŠYMAS

A.

1. Valdymo skydas
2. Valdymo vožtuvas, skirtas atidaryti / uždaryti / nukreipti oro srautą
3. Oro filtras
4. Vandens talpykla
5. Oro filtro pakeitimas

B.

VALDYMO SKYDELIS - FUNKCIJŲ APRAŠYMAS

LD serijos sausintuvai turi intuityvų valdymo skydelį paprastam ir patogiam valdymui. Atkreipkite dėmesį, kad valdymo pultas tuščiosios eigos režimą įjungia praėjus 20 sekundžių po maitinimo įtampos įjungimo arba po paskutinio įvesties veiksmo. Paspaudus sritį su funkciniais klavišais, prietaisas vėl įsijungia aktyviu režimu. Visi klavišų paspaudimai patvirtinami pyptelėjimu.

FUNKCINIAI KLAVIŠAI

1. Įjungimo / išjungimo - įjungia ir išjungia oro sausintuvą. Išjungimo režimu energijos sąnaudos sudaro 0,5 W.
2. Norimos drėgmės nustatymas - aktyvus tiksliai programos režimais „Normalus“ ir „Ventiliatorius“. Pageidaujama drėgmė gali būti nustatoma nuo 35 iki 75% 1 procentinio punkto žingsniais. Nustatyta vertė pirmiausia rodoma fiksuota, o tada mirksi prieš vėl pasirodant faktinei vertei.
3. Režimo pasirinkimas - darbo programos pasirinkimas, žr. 13-16 žemiau.
4. Ventiliatoriaus greitis - ventiliatoriaus greitis gali būti nustatytas veikti „Normalus“ ir „Ventiliatoriaus“ režimais mažu arba dideliu greičiu. Greičiai perjungiami su kelių sekundžių delsa.

PAVOJAUS SIGNALAI / INFORMACIJA

5. Atitirpinimas - jei reikia, aušinimo kontūras atitirpinamas automatiškai, išjungiant kompresorių ir veikiant tik ventiliatoriui. Simbolis užgęsta, kai oro sausinimo procesas paleidžiamas iš naujo.
6. Per aukšta aplinkos temperatūra - jei aplinkos temperatūra viršija 35 °C, oro sausinimo procesas išsijungia ir automatiškai atsinaujina, kai aplinkos temperatūra nukrenta žemiau 35 °C. Simbolis šviečia tol, kol temperatūra yra 35 °C arba aukštesnė.
7. Žema kambario temperatūra - jei aplinkos temperatūra nukrenta žemiau 2 °C, sausinimo procesas nutraukiamas ir automatiškai atnaujinamas, kai aplinkos temperatūra pakyla virš 2 °C. Simbolis šviečia tol, kol temperatūra yra 2 °C arba žemesnė.
8. Kondensato talpykla pilna - kai talpykla yra pilna, 20 sekundžių girsimas garsinis signalas ir dega simbolis. Ištuštinus vandens talpyklą ir pakeitus jos padėtį, atstatoma veikimo programa automatiškai. Įsitikinkite, kad plūdė laisvai kabo talpykloje.
9. Kambario temperatūra - rodoma aptikta aplinkos temperatūra.
10. Ventiliatoriaus greitis - ventiliatorius ir brūkšneliai rodo didelį greitį ir tik ventiliatorius rodo mažą greitį.
11. Santykinė drėgmė - rodomos esamos ir norimos tikslinės vertės. Pastarasis susijęs su siektinos vertės nustatymu.
12. „Wi-Fi“ - nurodo, kada „Wi-Fi“ yra prijungtas. Taikoma tik modeliams su šia funkcija.

VEIKIMO REŽIMAI

13. Ventiliatoriaus režimas - naudojamas, jei norima nuolatinės oro cirkuliacijos. Galima nustatyti ventiliatoriaus greitį ir tikslią drėgmės vertę. Kai pasiekama nustatyta tikslinė vertė, tik kompresorius išjungiamas ir vėl paleidžiamas, jei padidėja drėgmė.
14. Patogumo režimas (EASY) - oro sausintuvas siekia 50 % santykinės drėgmės, kai ventiliatorius nustatytas veikti mažu greičiu. Kai pasiekama tikslinė vertė, kompresorius ir ventiliatorius išsijungia ir paleidžiami iš naujo, jei drėgnis pakyla virš 50 %.
15. Skalbinių džiovinimo režimas (LANUDRY) - oro sausinimo procesas vyksta veikiant dideliu greičiu, kol jis išjungiamas rankiniu būdu arba pakeičiamas režimas.
16. Normalus režimas (NORMAL) - naudojamas norint rankiniu būdu nustatyti tikslią drėgmės ir ventiliatoriaus greičio vertę. Pasiekus nustatytą tikslią vertę, kompresorius ir ventiliatorius išsijungia ir paleidžiamas iš naujo, jei drėgmė pakyla virš tikslinės vertės.
17. Užrakinimo funkcija - naudojama siekiant išvengti netyčinio nuostatų pakeitimo. Užrakinimo funkcija vienu metu valdo VENTILIATORIAUS ir REŽIMO klavišus 3 sekundes. Užrakto funkcija išjungiamą taip pat.

TECHNINIAI DUOMENYS	LD40	LD44	LD48PRO+
Maksimalus patalpų plotas	100 m ²	140 m ²	180 m ²
Oro srautas 1 režimu	200 m ³ /h	160 m ³ /h	160 m ³ /h
Oro srautas 2 režimu	350 m ³ /h	300 m ³ /h	300 m ³ /h
Našumas esant 20 °C ir 70 % drėgmės lygiui	7,5 l /24 val.	11 l /24 val.	16 l /24 val.
Našumas esant 30 °C ir 80 % drėgmės lygiui	13 l /24 val.	19 l /24 val.	31 l /24 val.
Energijos suvartojimas esant 20 °C ir 70 % drėgmės lygiui	180 W	285 W	450 W
Energijos sąnaudos esant 20 °C temperatūrai ir 70 % sant. drėgmei.	24,3 kWh/24 h	8 kWh/24 h	9,1 kWh/24 h
Bakelio talpa	11 l	11 l	11 l
Šaltnešis	R290	R290	R290
Šaltnešio pakeitimas	99 g	115 g	130 g
Įtampa	230 V	230 V	230 V
Dažnis	50 Hz	50 Hz	50 Hz
Saugiklis	10 A	10 A	10 A
IP klasė	X1	X1	X1
Matmenys (ilgis x plotis x aukštis)	460 x 345 x 575 mm	460 x 345 x 575 mm	460 x 345 x 575 mm

* Gali būti techninių pakeitimų ir patobulinimų. Visos vertės yra apytikslės ir gali skirtis priklausomai nuo išorinių aplinkybių, pvz., temperatūros, ventiliacijos ir drėgmės.

PROBLEMA

TRIKČIŲ ŠALINIMAS

Oro sausintuvas neįsijungia	<ul style="list-style-type: none"> Įsitikinkite, kad oro sausintuvas prijungtas prie lizdo ir kad neišmušė saugiklio. Jeigu dega indikatorius piktograma, patikrinkite, ar vandens talpykla yra tuščia ir teisingai įstatyta į sausintuvą. Įsitikinkite, kad plūdė kabo laisvai. Patikrinkite, ar drėgmės vertė prietaiso valdymo skydelyje rodoma „pabudus“. Sausintuvas turi būti paleistas per 5 minutes, jei ši vertė yra aukštesnė negu nustatytoji. Atjunkite maitinimo laidą, palaukite 10 sekundžių ir vėl jį įjunkite.
Oro sausintuvas neįsijungia	<ul style="list-style-type: none"> Įsitikinkite, kad ventiliatoriaus mentės sukasi. Įsitikinkite, kad oro srautas gali lengvai cirkuliuoti sausintuve. Oro ir oro filtrai turi būti švarūs, o oro sausintuvas turi būti bent 20–30 cm atstumu nuo sienos. Paklauskite, ar kompresorius veikia, tačiau atminti, kad prietaisas gali veikti atšildymo ciklu, o po to kompresorius laikinai sustos. Pradėkite palaukdamiesi apie 30 minučių. Patikrinkite, ar ant aušinimo ričių / skersinių už filtrų nesusidarė storas ledo sluoksnis.
Didelis garsas / tarškėjimas	<ul style="list-style-type: none"> Patraukite oro sausintuvą nuo netoliese esančių daiktų. Aušinimo ritės gali liestis viena su kita ir sukelti vibracijas. Atjunkite oro aušintuvą nuo elektros lizdo ir atskirkite kilpas
Kondensato vanduo nesurenkamas	<ul style="list-style-type: none"> Patikrinkite, ar ant lašinio dėklo po aušinimo ritės nėra nusėdusių nešvarumų ir pan., jei reikia, išvalykite. Patikrinkite, ar temperatūra yra aukštesnė nei 2 °C arba žemesnė nei 35 °C.
Neįsijungia, kai vandens talpykla pilna	<ul style="list-style-type: none"> Svarbu, kad plūdė laisvai judėtų vandens talpykloje. Jei ne, nebus aišku, koks yra vandens lygis, ir sausintuvas gali būti neišjungiamas laiku.
Klaidos kodas E2	<ul style="list-style-type: none"> Jei ekrane rodomas kodas E2, drėgmės jutiklis gali būti sugedęs. Pabandykite atjungti maitinimo laidą, palaukite 10 sekundžių ir vėl jį įjunkite. Jei klaidos kodas rodomas ir toliau, kreipkitės į pardavėją.

Jei turite problemų su oro sausintuvu, žr. trikčių diagnostikos ir šalinimo vadovą. Jei nė vienas iš pirmiau nurodytų veiksmų nepadedą, kreipkitės į prekybos atstovą, kad šis atliktų oro sausintuvo techninę priežiūrą.

„WOOD'S“ – VIENI PASAULYJE PIRMAUJANČIŲ ORO SAUSINTUVŲ

„Wood's“ jau daugelį metų yra žinoma kaip sausinimo prietaisų rinkos lyderė. Našūs oro sausintuvai yra skirti naudoti netgi ypač reiklomis sąlygomis, užtikrina ypač mažas energijos sąnaudas, o džiovavimo našumas būna didelis net esant žemai temperatūrai patalpoje.

Mūsų oro sausintuvai užtikrina optimalius rezultatus drėgnose vietose, tokiose kaip rūšiai, garažai, vasarnamiai, skalbyklos patalpos, ankštos erdvės ir uždaros baseino zonos. Papildoma nauda yra jų gebėjimas veiksmingai išdžiovinti drabužius ir tekstilę jų nenudėvint.

Drėgmės kiekis, kurį oro sausintuvai ištraukia iš patalpos oro, priklauso nuo patalpos temperatūros, esamo drėgmės lygio ir pastatymo vietos. Oro sąlygos lauke taip pat turi įtakos oro sausintuvo veikimui. Šaltu oru santykinė drėgmė patalpose krenta, todėl sumažėja oro sausintuvo drėgmės absorbcija iš oro. Todėl oro sausintuvai pritaikyti naudoti temperatūros intervale nuo +2 °C iki +35 °C. „Wood's“ oro sausintuvai yra saugūs ir suprojektuoti nuolat veikti daugelį metų.

PER DIDELĖS DRĖGMĖS PAVOJAI

Vandens garai sklandydami ore ir susidūrę su šaltu paviršiumi, pavyzdžiui, stoglangiu arba siena, virsta kondensatu. Kai vandens garai atvėsina kondensatą, susidaro vandens lašeliai. Esant didelei drėgmei, gali susidaryti stovintis pridusęs oras ir pelėsiai, kurie pažeidžia namą ir jo vidų. Ši aplinka taip pat gali sukelti gyventojų ligas, nes, be kitų parazitų, drėgnoje aplinkoje klesti ir erkutės. Didelio našumo oro sausintuvai sukuria optimalų ir sveiką drėgmės lygį. Siekiant geriausio rezultato, sausinamų patalpų durys ir langai turėtų būti laikomi uždaryti. Oro sausintuvai pašalina blogą kvapą, džiovina medieną ir pašalina drėgmę iš sporto įrangos, skirtos naudoti lauke ir pan. Oro sausintuvai gali būti naudojami rūsiuose, skalbyklose, garažuose, nameliuose ant ratų, vasarnamiuose ir laivuose. Jei oro sausintuvai naudojami šaltesnėje aplinkoje, atidžiai perskaitykite patarimus naudojimo instrukcijų pabaigoje.

DĖMESIO!

Jeigu oro sausintuvą naudojate duše arba vonios kambaryje, prietaisas turi būti pritvirtintas vietoje. Prieš naudojant būtina patikrinti ir laikyti vietinių vonios elektros reglamentų.

„WOOD'S“ ORO SAUSINTUVO NAUDOJIMAS

Jeigu oro sausintuvai transportuojami horizontaliai, prieš naudodami pakelkite jį stovėti vertikaliai 4 valandas. Labai svarbu, kad alyva tekėtų atgal į kompresorių, nes priešingu atveju oro sausintuvai gali rimtai sugesti. „Wood's“ oro sausintuvai lengva judinti, kai jie turi ratus. Viskas, ko reikia, tai kad arti būtų 220-240 V elektros lizdas, tačiau atminti šiuos dalykus:

Oro sausintuvai negali būti pastatyti šalia radiatoriaus ar kito šildymo prietaiso, kadangi tai sumažins jo našumą.

- Galite naudoti radiatorių arba šildymo ventiliatorių, kad temperatūra būtų palaikoma aukštesnė ne + 2 °C.
 - Oro sausintuvą reikia pastatyti bent 25 cm atstumu nuo sienų ir kitų kliūčių, kad būtų užtikrintas maksimalus oro srautas.
 - Puikiai tinka oro sausintuvą pastatyti patalpoje / zonoje kuo arčiau centro.
1. Patikrinkite, ar vandens talpykla yra tinkamoje padėtyje.
 2. Prijunkite oro sausintuvą prie įžeminto elektros lizdo.
 3. Valdymo skydelyje pasirinkite norimą drėgmės programą arba drėgmės lygį. Žr. skyrių su funkcijų aprašymu.

PASTABA!

Kai sausintuvai išsijungia, jis iš naujo paleidžiamas per 5 minutes.

PLŪDĖ

Plūdė sudaro baltas plastikinis cilindras, prikabinamas dviem laidais prie dviejų svirčių. Plūdė yra plūdri ir kai vandens lygis pakyla, plūdė pakyla. Kai plūdė pasiekia tam tikrą lygį, oro sausintuvai reaguoja ir išsijungia automatiškai, siekiant išvengti vandens išsiliejimo. Kai vandens talpykla ištuštinama, ją reikia vėl įdėti į vietą tokiu būdu:

VANDENS TALPYKLŲ IŠTUŠTINIMAS

1. Kai vandens talpykla bus pilna, švelniai ištraukite ją iš išorę ir ištuštinkite į kanalizaciją.
2. Stumkite vandens talpyklą atgal, kol ji palies plūdę.
3. Pakelkite apatinį vandens talpyklos kraštą, kad šiek tiek pakreiptumėte vandens talpyklą.
4. Pastumkite vandens talpyklą iki galo. Dabar plūdė turėjo patekti į vandens talpyklą, o ne būti užspausta už jos.

DĖMESIO!

Svarbu, kad plūdė laisvai kabėtų, nes jos paskirtis - nustatyti vandens lygį talpykloje ir užtikrinti, kad oro sausintuvai išsijungtų, kai lygis yra aukštas. Netinkamai nustačius plūdę vandens talpykla gali persipildyti.

IŠLEISKITE VANDENĮ Į KANALIZACIJĄ

1. Atjunkite oro sausintuvą nuo elektros lizdo ir išimkite vandens talpyklą, kad pasiektumėte srieginę jungtį po nulašėjimo padėklą.
2. Prijunkite žarnos movą prie srieginės jungties ir išveskite ją į kanalizaciją. Įsitinkite, kad žarna yra žemiau nei nulašėjimo padėklas.

3. Įkiškite oro sausintuvo kištuką į elektros lizdą.
4. Be žarnos ir tiesiai virš išleidimo vietos: Pakelkite oro sausintuvą tiesiai ant išleidimo vietos, kad kondensuotas vanduo galėtų išlašėti per oro sausintuvo apačioje esančią angą ir patekti į kanalizaciją.

AUTOMATINIS IŠJUNGIMAS

Kai vandens talpykla yra pilna, oro sausintuvai automatiškai išsijungia, pranešdamas, kad prieš vėl naudojant oro sausintuvą reikia ištuštinti vandens talpyklą. Žr. funkcijų aprašą.

1. Atjunkite oro sausintuvą nuo elektros lizdo.
2. Išleiskite vandenį iš vandens talpyklos.
3. Pakeiskite ištuštintą vandens talpyklą ir įsitinkite, kad plūdė kabo laisvai, žr. skyrių apie plūdę.
4. Prijunkite oro sausintuvą prie elektros lizdo. Oro sausintuvai paleidžiamas iš naujo tuo pačiu režimu, kaip ir atjungus.

ORO FILTRAS

Oro sausintuvo galinėje pusėje esantis oro filtras apsaugo kondensatoriaus radiatorių nuo apdulkinimo. Svarbu, kad filtras būtų švarus, kad oras galėtų laisvai tekėti per oro sausintuvą. Todėl prireikus filtrą reikia pakeisti.

Oro sausintuve įrengtas SMF filtras, kuris padidina oro sausintuvo našumą ir kartu toliau valo orą. Kaip pakeisti oro filtrą, žr. instrukcijose. Rekomenduojame per metus pakeisti bent vieną filtrą. Norėdami pasinaudoti garantijos programa Užregistruokite oro sausintuvą adresu warranty-woods.com

AUTOMATINIS ATITIRPINIMAS

„Wood's“ oro sausintuvuose įrengtos valdymo sistemos, užtikrinančios, kad prireikus aušinimo apvijos bus atitirpintos. Valdymo sistema išjungia kompresorių ir sustabdo kontūrų aušinimą. Ventiliatorius toliau traukia kambario temperatūros orą per oro sausintuvą, todėl ledas tirpsta ir vanduo teka žemyn į vandens talpyklą. Atkreipkite dėmesį, kad ši valdymo sistema leidžia oro sausintuvui veikti net + 2 °C temperatūroje.

VENTILIATORIUS

Ventiliatorius užtikrina, kad per sausintuvą eitų oras. Drėgnas oras įsiurbiamas iš galinės pusės, juda per garintuvą bei kondensatorių ir išleidžiamas sausas per oro sausintuvo viršų.

VALYMAS IR PRIEŽIŪRA

„Wood's“ oro sausintuvus reikia valyti ir keisti filtrus, kad būtų išlaikytas didelis oro sausinimo pajėgumas.

- Oro išleidimo angą galima išsiurbti arba išvalyti šepečiu. Būkite atsargūs, kad nesugadintumėte plokštelių.
- Aušinimo rites geriausia valyti šluoste ir šiltu vandeniu. Būkite atsargūs.
- Ventilatorius yra suteptas visam laikui ir jokios priežiūros nereikalauja.

DĖMESIO!

Prieš valydami ištraukite maitinimo laidą iš elektros lizdo.

PATARIMAI

- Siekiant maksimalaus oro sausinimo pajėgumo patalpoje, rekomenduojama sumažinti tiekiamą orą iš išorės ir gretimų patalpų - uždaryti duris ir vožtuvus. Jei įmanoma, oro sausintuvą statykite patalpos viduryje.
- Padidinkite kambario temperatūrą, kad oras būtų sausinamas greičiau. (Karštas oras gali pernešti daugiau vandens). Naudokite apsaugą nuo užšalimo, jei temperatūra nukrenta žemiau + 2 °C
- Oro sausintuvus vasarą ir rudenį ištraukia daugiau vandens, nes lauko oras yra šiltas ir drėgnas. (Absoliutus drėgnis paprastai yra didesnis).
- Rekomenduojamos sąlygos tinkamam oro sausintuvo veikimui:
- Temp. LD nuo +2 °C iki +35 °C
- Santykinis oro drėgnumas: nuo 30 % iki 90 %
- Rekomenduojamas drėgmės lygis (apytikslis) 50 % SOD

JEIGU REIKIA ATLIKTI ORO SAUSINTUVO TECHNINĘ PRIEŽIŪRĄ

Jeigu reikia oro sausintuvo techninės priežiūros, pirmiausia kreipkitės į pardavėją. Kreipiantis dėl garantinio aptarnavimo būtina turėti pirkimo kvitą.

DĖMESIO!

Gaukite 10 metų garantiją! Užregistruokite oro sausintuvą tinklalapyje warranty-woods.com ir pakeiskite SMF filtrą bent kartą per metus. Daugiau informacijos pateikiama tinklalapyje

GARANTIJOS

2 metų garantija nuo gamybos defektų. Atkreipkite dėmesį, kad garantija galioja tik pateikus pirkimo kvitą

SVARBU!

„Wood's“ oro sausintuvus turi būti prijungtas prie įžeminto elektros lizdo, kurio įtampa 220-240 V 50 Hz.

GARANTIJA**NORĖDAMI GAUTI PRATĖSTĄ GARANTIJĄ NUO 2 IKI 10 METŲ, ATLIKITE ŠIUOS VEIKSMUS.**

1. Užregistruokite oro sausintuvą po pirkimo adresu warranty-woods.com
2. Reguliariai, bent kartą per metus, pakeiskite sausintuvo SMF filtrą. Jei norite, išsiųsime jums priminimą, kai reikės pakeisti filtrą. Priminimo siuntimas, žinoma, yra nemokamas. Filtrus galite rasti pas vietinį pardavėją arba platintoją. Apsilankykite woods.se ir raskite artimiausią „Wood's“ platintoją.

PASTABA!

Užregistravus oro sausintuvą adresu warrantywoods.com, filtrų įsigyti neprivaloma

IŠSAUGOKITE KVITUS!

Jų reikės bet kokioms garantinėms pretenzijoms per garantinį laikotarpį.





LIETOŠANAS INSTRUKCIJA

Viegli uzliesmojošs materiāls. Šī ierīce satur R290/propānu, kas ir viegli uzliesmojošs aukstumaģents.



Skatiet operatora rokasgrāmatu.



Izlasiet tehnisko rokasgrāmatu



Izlasiet operatora rokasgrāmatu.

INFORMĀCIJA PAR DROŠĪBU

Pirms ierīces uzstādīšanas un lietošanas uzmanīgi izlasiet komplektācijā ietvertu instrukciju. Ražotājs neuzņemas atbildību par nepar4eizas uzstādīšanas un lietošanas izraisītiem savainojumiem un bojājumiem. Vienmēr glabājiet instrukciju ierīces tuvumā turpmākai uzziņai.

BĒRNU UN NEAIZSARGĀTU PERSONU DROŠĪBA

BRĪDINĀJUMS

Traumai vai neatgriezeniskas invaliditātes risks.

Šo ierīci drīkst lietot bērni no 8 gadu vecuma un personas ar fiziskiem, maņu orgānu vai garīgiem traucējumiem, kā arī personas, kurām nav nepieciešamās pieredzes un zināšanu, ja tās ir saņēmušas praktisku apmācību vai norādījumus par ierīces lietošanu drošā veidā un saprot ar to saistītos apdraudējumus. Neļaujiet bērniem rotaļāties ar ierīci.

Bērni līdz 3 gadu vecumam nedrīkst tuvoties ierīcei, ja vien viņi netiek nepārtraukti uzraudzīti. Sargājiet visu iepakojumu no bērniem. Bērni nedrīkst bez uzraudzības veikt tīrīšanu un lietotāja apkopi.

VISPĀRĒJĀ DROŠĪBA

Šī ierīce ir paredzēta lietošanai mājāsaimniecībā un līdzīgās vietās, piemēram, pagrabos, bēniņos, kā arī veikalos, birojos un citu darbavietu darbinieku virtuves zonās. Nominālo tehnisko datu plāksnīte atrodas aiz gaisa sausinātāja ūdens tvertnes. Nodrošiniet, lai ventilācijas atveres nebūtu nosprostotas.

Atkausēšanas procesa paātrināšanai neizmantojiet mehāniskas ierīces vai citus līdzekļus, ko nav ieteicis ražotājs. Ierīci nedrīkst glabāt telpā, kur nepārtraukti darbojas aizdegšanās avoti

(piemēram, atklāta liesma, strādājoša gāzes ierīce vai elektriskais sildītājs). Necaurduriet un nededziniet. Ievērojiet, ka aukstumaģentiem var nebūt smaržas. Ierīces tīrīšanai neizmantojiet ūdens smidzinātāju un tvaiku. Tīriet ierīci ar mitru mikstu drānu. Izmantojiet tikai neitrālus mazgāšanas līdzekļus. Neizmantojiet abrazīvus produktus, abrazīvus tīrīšanas spilventiņus, šķīdinātājus vai metāla priekšmetus. Ja ir bojāts strāvas vads, ražotājam, tā pilnvarotam apkopes centram vai līdzīgām kvalificētām personām tas ir jānomaina, lai novērstu apdraudējumus.

DROŠĪBAS NORĀDĪJUMI

BRĪDINĀJUMS

Šo ierīci drīkst uzstādīt tikai kvalificēta persona.

Noņemiet visu iepakojuma materiālu. Neuzstādi un nelieto ierīci bojātu ierīci. Ierīce ir jāuzstāda, jālieto un jāglabā telpā, kur uz grīdas ir vismaz 4 m² brīvas vietas. Stingri ievērojiet iekārtas uzstādīšanas instrukcijā sniegtos norādījumus. Pārvietojot ierīci, vienmēr rīkojieties piesardzīgi, jo ierīce ir smaga. Vienmēr lietojiet aizsargcimdus.

Nodrošiniet, lai ap ierīci varētu cirkulēt gaiss. Pirms ierīces pievienošanas strāvas avotam uzgaidiet vismaz 4 stundas. Tā ir jārikojas, lai eļļa varētu ieplūst atpakaļ kompresorā. Neuzstādi ierīci radiatoru vai citu karstuma avotu tuvumā. Neuzstādi iekārtu tiešā saules gaismā.

ELEKTRISKAIS SAVIENOJUMS

BRĪDINĀJUMS

Ugunsgrēka un strāvas trieciena risks.

Ierīce ir jāpievieno iezemētai kontaktligzdai. Pārlicinieties, vai nominālo tehnisko datu plāksnītē norādītie elektrības dati atbilst strāvas avota parametriem. Ja tā nav, sazinieties ar elektriķi. Vienmēr izmantojiet pareizi uzstādītu triecienizturīgu kontaktligzdu. Neizmantojiet vairāku ligzdu adapterus un pagarinātājus. Uzmanieties, lai nesabojātu elektriskās sastāvdaļas (piemēram, kontaktdakšu un kabeli). Ja ir jānomaina elektriskās sastāvdaļas, sazinieties ar pilnvaroto apkopes centru vai elektriķi. Kabelim ir jāatrodas zemāk par kontaktdakšu. Pievienojiet kontaktdakšu kontaktligzdai tikai uzstādīšanas beigās. Pēc uzstādīšanas pārlicinieties, vai var

piekļūt kontaktdakšai. Atvienojot ierīci, nevelciet aiz strāvas kabeļa. Atvienojot strāvas kabeli, vienmēr turiet tikai kontaktdakšu.

LIETOŠANA

BRĪDINĀJUMS

Savainojumu, apdegumu, strāvas trieciena vai ugunsgrēka risks.

Nemainiet šīs ierīces tehniskos datus. Uzmanieties, lai nesabojātu aukstumaģenta kontūru. Tas satur propānu (R290), kas ir dabasgāze ar augsta līmeņa saderību ar vidi. Šī gāze ir viegli uzliesmojoša. Aukstumaģenta kontūra bojājumu gadījumā nodrošiniet, lai telpā nebūtu liesmu un uzliesmošanas avotu. Izvēdiniet telpu. Nenovietojiet uz ierīces vai tās tuvumā viegli uzliesmojošus produktus vai ar šādiem produktiem samitrinātus priekšmetus.

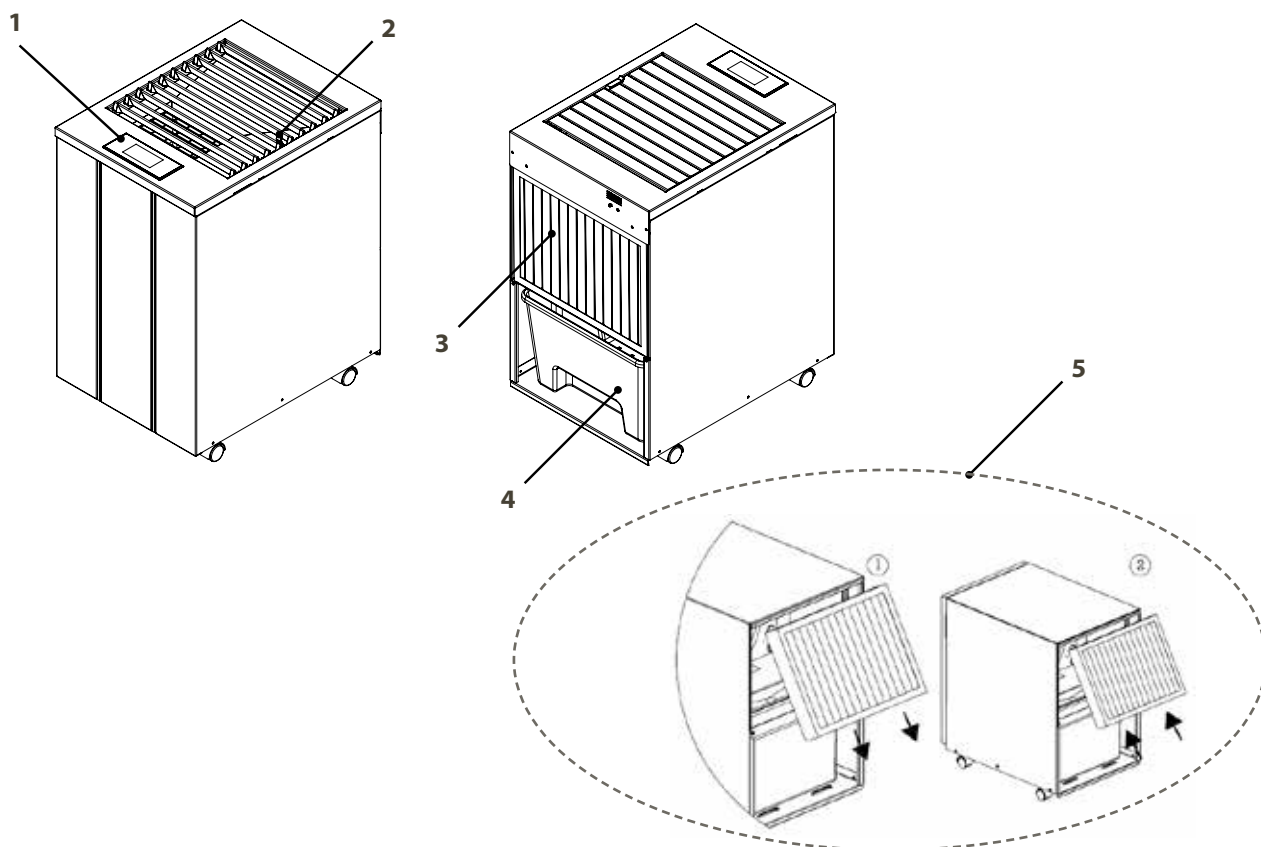
LIKVIDĒŠANA

BRĪDINĀJUMS

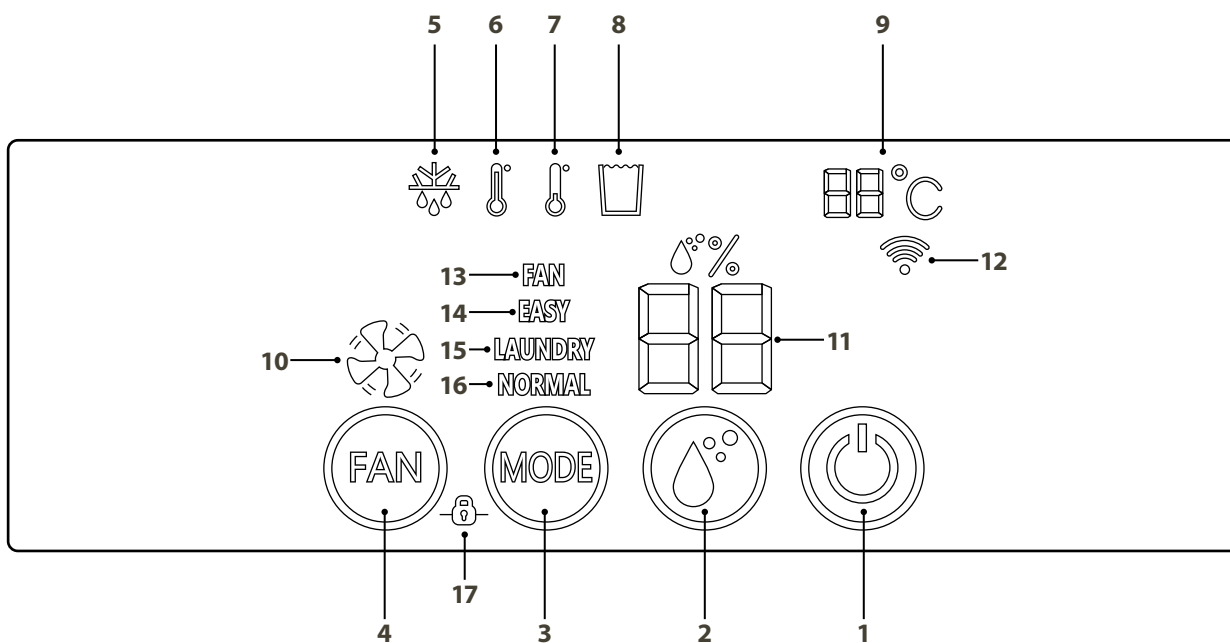
Savainojumu risks.

Atvienojiet ierīci no strāvas avota. Nogrīziet strāvas padeves vadu un izmetiet to. Šīs ierīces aukstumaģenta kontūrs nav kaitīgs ozonam. Konsultējieties ar vietējām varas iestādēm, lai uzzinātu, kā pareizi likvidēt ierīci. Nesabojājiet siltummaiņa tuvumā esošo dzesēšanas bloka daļu.

A.



B.



IZSTRĀDĀJUMA APRAKSTS

A.

1. Vadības panelis
2. Manevrēšanas svira gaisa plūsmas atvēršanai/noslēgšanai
3. Gaisa filtrs
4. Ūdens tvertne
5. Gaisa filtra maiņa

B.

VADĪBAS PANELIS — FUNKCIJU APRAKSTS

LD sērijas gaisa sausinātāji ir aprīkoti ar intuitīvu vadības paneli, kas nodrošina vienkāršu un ērtu lietošanu. Ievērojiet, ka vadības panelis pāriet dīkstāves režīmā 20 sekundes pēc iekārtas savienošanas ar elektrotīklu vai pēc pēdējās ievades. Tā darbību var atjaunot, pieskaroties vietai, kur atrodas funkciju taustiņi. Visu taustiņu nospiešana tiek apstiprināta ar pikstienu.

FUNKCIJU TAUSTIŅI

1. Ieslēgšana/izslēgšana — ieslēdz un izslēdz gaisa sausinātāju. Izslēgtā stāvoklī enerģijas patēriņš ir 0,5 W.
2. Vēlamā mitruma līmeņa iestatīšana — funkcija ir aktīva tikai programmu režīmos "Normal" (Normāls) un "Fan" (Ventilators). Vēlamo mitrumu var iestatīt diapazonā no 35-75% iedaļās pa 1 procentam. Vispirms parādās iestatītā vērtība, pēc tam tā sāk mirgot, un visbeidzot atkal parādās faktiskā vērtība.
3. Režīma atlase — darbības programmas izvēle (tālāk skatiet no 13. līdz 16. punktam).
4. Ventilatora ātrums — režīmos "Normal" (Normāls) un "Fan" (Ventilators) var iestatīt lielu vai mazu ventilatora ātrumu. Ātruma maiņa notiek ar dažu sekunžu aizkavi.

BRĪDINĀJUMI/INFORMĀCIJA

5. Atkausēšana — kad nepieciešams, dzesēšanas sistēma tiek automātiski atkausēta. Šajā laikā kompresors ir izslēgts, un darbojas tikai ventilators. Atsākoties sausināšanas procesam, simbols nodziest.
6. Pārāk augsta apkārtējā temperatūra — ja apkārtējā temperatūra pārsniedz 35 °C, sausināšanas process apstājas. Tas automātiski atsākas, kad temperatūra nokrītas zem 35 °C. Simbols ir izgaismots, kamēr temperatūra ir 35 °C vai augstāka.
7. Zema temperatūra telpā — ja apkārtējā temperatūra nokrītas zem 2 °C, sausināšanas process apstājas. Tas automātiski atsākas, kad temperatūra paceļas virs 2 °C. Simbols ir izgaismots, kamēr temperatūra ir 2 °C vai zemāka.
8. Pilna kondensāta tvertne — kad tvertne ir pilna, uz 20 sekundēm atskan skaņas signāls un izgaismojas simbols. Kad ūdens tvertne ir iztukšota un ievietota atpakaļ, darbības programma tiek automātiski atiestatīta. Pārlicinieties, vai pludiņš brīvi karājas tvertnē.
9. Telpas temperatūra — faktiskās apkārtējās temperatūras rādījums.
10. Ventilatora ātrums — ventilatora simbols ar līnijām norāda lielu ātrumu; tikai ventilatora simbols norāda mazu ātrumu.
11. Relatīvais mitrums — ir norādīta pašreizējā vērtība un vēlamā mērķa vērtība. Pēdējais rādījums ir saistīts ar mērķa vērtības iestatījumu.
12. Wi-Fi — norāda, vai ir izveidots Wi-Fi savienojums. Attiecas tikai uz modeļiem, kas aprīkoti ar šo funkciju.

DARBĪBAS REŽĪMI

13. Ventilatora režīms — to izmanto, ja ir vajadzīga pastāvīga gaisa cirkulācija. Var iestatīt ventilatora ātrumu un mitruma mērķa vērtību. Kad ir sasniegta iestatītā mērķa vērtība, izslēdzas tikai kompresors. Tas atkal ieslēdzas, kad palielinās mitrums.
14. Komforta režīms (EASY) — sausinātāja mērķa vērtība ir 50% relatīvā mitruma, un ventilators darbojas lēnā ātrumā. Kad ir sasniegta mērķa vērtība, kompresors un ventilators izslēdzas. Tie atsāk darbību, kad mitrums palielinās virs 50%.
15. Veļas žāvēšanas režīms (LAUNDRY) — sausinātājs darbojas ar lielu ventilatora ātrumu, līdz manuāli tiek izslēgts sausinātājs vai nomainīts režīms.
16. Normālais režīms (NORMAL) — ļauj manuāli iestatīt mitruma mērķa vērtību un ventilatora ātrumu. Kad ir sasniegta noteiktā mērķa vērtība, kompresors un ventilators izslēdzas. Tie atsāk darbību, kad mitrums palielinās virs mērķa vērtības.
17. Bloķēšanas funkcija — novērš nejaušu iestatījumu mainīšanu. Bloķēšanas funkciju aktivizē, vienlaikus 3 sekundes turot nospiešus taustiņus FAN (Ventilators) un MODE (Režīms). Bloķēšanas funkciju atspējo tādā pašā veidā.

TEHNISKIE DATI	LD40	LD44	LD48PRO+
Maksimālā telpu platība	100 m ²	140 m ²	180 m ²
Gaisa plūsma, 1. solis	200 m ³ /h	160 m ³ /h	160 m ³ /h
Gaisa plūsma, 2. solis	350 m ³ /h	300 m ³ /h	300 m ³ /h
Sausināšanas veiktspēja 20 °C temperatūras un 70% relatīvā mitruma apstākļos	7,5 l/24 h	11 l/24 h	16 l/24 h
Sausināšanas veiktspēja 30 °C temperatūras un 80% relatīvā mitruma apstākļos	13 l/24 h	19 l/24 h	31 l/24 h
Jauda 20 °C temperatūras un 70% relatīvā mitruma apstākļos	180 W	285 W	450 W
Energoapatēriņš pie 20 °C temperatūras un 70% relatīvā mitruma	4,3 kWh/24 h	8 kWh/24 h	9,1 kWh/24 h
Tvertnes tilpums	11 l	11 l	11 l
Aukstumaģents	R290	R290	R290
Aukstumaģenta maiņa	99 g	115 g	130 g
Spriegums	230 V	230 V	230 V
Frekvence	50 Hz	50 Hz	50 Hz
Drošinātājs	10 A	10 A	10 A
IP klase	X1	X1	X1
Izmēri (G x P x A)	460 x 345 x 575 mm	460 x 345 x 575 mm	460 x 345 x 575 mm

*Var tikt veiktas tehniskas izmaiņas un uzlabojumi. Visas vērtības ir aptuvenas un var atšķirties ārēju apstākļu, piemēram, temperatūras, ventilācijas un mitruma, ietekmē.

PROBLĒMA

RISINĀJUMS

Gaisa sausinātājs neieslēdzas	<ul style="list-style-type: none"> Pārliedzieties, vai sausinātājs ir savienots ar kontaktligzdu un vai nav izsists drošinātājs. Ja ir izgaismota simbola ikona, pārbaudiet, vai ūdens tvertne ir tukša un pareizi novietota sausinātājā. Pārliedzieties, vai pludiņš brīvi karājas. "Atmodinot" iekārtas vadības paneli, pārbaudiet, vai tajā ir parādīta mitruma vērtība. Ja šī vērtība ir augstāka par iestatīto vērtību, sausinātājam jāsāk darboties 5 minūšu laikā. Atvienojiet strāvas vadu, uzgaidiet 10 sekundes un pievienojiet to atpakaļ.
Gaisa sausinātājs neieslēdzas	<ul style="list-style-type: none"> Pārliedzieties, vai ventilatora rats griežas. Pārliedzieties, vai gaisa plūsma var viegli cirkulēt caur sausinātāju. Izvadītajam gaisam un gaisa filtriem jābūt tīriem, un sausinātājam jāatrodas vismaz 20-30 cm atstatumā no sienas. Pārbaudiet, vai ir dzirdama kompresora darbība, taču ievērojiet, ka darbība var būt atkausēšanas režīmā, izraisot kompresora īslaicīgu apstāšanos. Iesākumā uzgaidiet aptuveni 30 minūtes. Pārbaudiet, vai uz dzesēšanas spolēm/plāksnēm aiz filtra neveidojas biezs ledus slānis.
Liels troksnis/graboņa	<ul style="list-style-type: none"> Novietojiet sausinātāju tālāk no tuvumā esošām virsmām.. Dzesēšanas spoles var savstarpēji saskarties, izraisot vibrācijas. Atvienojiet gaisa sausinātāju no strāvas kontaktligzdas un pārvietojiet spoles tālāk vienu no otras.
Neuzkrājas ūdens kondensāts	<ul style="list-style-type: none"> Pārbaudiet, vai uz paplātes zem dzesēšanas spolēm nav sakrājušies netīrumi, un, ja nepieciešams, notīriet. Pārbaudiet, vai temperatūra ir augstāka par 2 °C un zemāka par 35 °C.
Neizslēdzas, kad ūdens tvertne ir pilna	<ul style="list-style-type: none"> Ir svarīgi, lai pludiņš brīvi un netraucēti karātos ūdens tvertnē. Ja tas tā nav, tas var nenoteikt ūdens līmeni un nenodrošināt gaisa sausinātāja apstāšanos.
Kļūdas kods E2	<ul style="list-style-type: none"> Rādījums E2 displejā liecina, ka mitruma sensors var būt bojāts. Mēģiniet atvienot strāvas vadu, uzgaidiet 10 sekundes un pievienot to atpakaļ. Ja kļūdas kods nepazūd, sazinieties ar izplatītāju.

Sausinātāja problēmu gadījumā skatiet problēmu novēršanas norādījumus. Ja iepriekš aprakstītie ieteikumi nelīdz, sazinieties ar izplatītāju, lai veiktu sausinātāja apkopi.

WOOD'S IR VIENS NO GAISA SAUSINĀTĀJU LĪDERIEM PASAULĒ

Wood's jau daudzus gadus ir pazīstams kā tirgus līderis gaisa sausināšanā. Mūsu efektīvie gaisa sausinātāji piedāvā zemu enerģijas patēriņu un ir piemēroti lietošanai visprasīgākajās vidēs, kur sausināšana ir vajadzīga pat zemas temperatūras un mitruma līmeņa apstākļos.

Mūsu gaisa sausinātāji piedāvā optimālus rezultātus vietās, kuras kļūst mitras, piemēram, pagrabos, garāžās, vasarnīcās, veļas mazgātavās, šaurās telpās un iekštelpu baseina zonās. Papildu ieguvums ir to spēja efektīvi žāvēt drēbes un tekstilizstrādājumus, tos nenodeldējot.

Mitruma daudzums, ko savāc gaisa sausinātājs, ir atkarīgs no temperatūras, mitruma līmeņa un novietojuma. Arī laikapstākļi ietekmē sausinātāja darbību. Aukstā laikā samazinās relatīvais mitrums telpās, tādējādi samazinot gaisa mitruma absorbciju sausinātājā. Tādējādi gaisa sausinātājs ir piemērots lietošanai temperatūras diapazonā no +2 °C līdz +35 °C. Wood's gaisa sausinātāji ir droši un ir paredzēti nepārtrauktai darbībai daudzguodu garumā.

PĀRMĒRĪGA GAISA MITRUMA BĪSTAMĪBA

Gaisā esošajiem ūdens tvaikiem saskaroties ar aukstu virsmu, piemēram, griestiem, logu vai sienu, notiek kondensācija. Ūdens tvaikiem atdziestot, notiek kondensācija, kur veidojas ūdens pilieni. Lielā mitrumā sastāvējis gaiss veicina pelējuma veidošanos, kas bojā ēku un tās interjeru. Šāda vide var kaitēt arī ēkas iemītnieku veselībai, tai skaitā mitra vide ir labvēlīga putekļu ērcītēm. Jaudīgs gaisa sausinātājs nodrošina optimālu, veselīgu mitruma līmeni. Lai panāktu optimālu darbību, telpu, kurās darbojas sausinātājs, logus un durvis ieteicams turēt aizvērtus. Sausinātājs novērš nepatīkamas smakas, sausina koksnī un noņem mitrumu no ārā lietojama sporta aprīkojuma un citām lietām. Gaisa sausinātāju var lietot pagrabos, veļas mazgātavās, garāžās, treileros, vasarnīcās un laivās. Ja sausinātāju paredzēts lietot aukstā vidē, pievērsiet īpašu uzmanību lietošanas instrukcijas beigās sniegtajiem padomiem.

PIEZĪME!

Kad izmantojat gaisa sausinātāju dušas telpā vai vannas istabā, tas ir jāfiksē vienā vietā. Pirms lietošanas obligāti jāizlasa

un jāievēro vietējie **NOTE** ikumi par elektroierīcēm vannas istabā.

WOOD'S GAISA SAUSINĀTĀJU LIETOŠANA

Ja sausinātājs tiek transportēts horizontālā stāvoklī, pirms lietošanas novietojiet to vertikāli uz 4 stundām. Eļļai ir obligāti jāsatiek atpakaļ kompresorā, citādi var rasties nopietni sausinātāja bojājumi. Ar riteņiem aprīkotos Wood's gaisa sausinātājus var viegli pārvietot. Darbībai ir nepieciešama tikai tuvumā esoša

220-240 V strāvas kontaktligzda, taču jāievēro tālāk norādītais.

Gaisa sausinātāju nedrīkst novietot blakus radiatoriem vai citiem siltuma avotiem vai tiešos saules staros, jo tas ietekmēs tā darbību.

- Varat izmantot radiatoru vai sildītāju ar ventilatoru, lai uzturētu temperatūru virs +2 °C.
- Gaisa sausinātājs ir jānovieto vismaz 25 cm attālumā no sienām un citiem objektiem, lai panāktu maksimālu gaisa plūsmu.
- Ja iespējams, sausinātāju ir ļoti ieteicams novietot pēc iespējas tuvāk telpas/zonas centram.

1. Pārbaudiet, vai ūdens tvertne ir pareizi novietota.
2. Pievienojiet gaisa sausinātāju iezemētai strāvas kontaktligzdai.
3. Vadības panelī izvēlieties vēlamo programmu vai mitruma līmeni. Skatiet funkciju apraksta sadaļu.

PIEZĪME!

Kad sausinātājs ir izslēdzies, tā darbības atsākšanai nepieciešamas 5 minūtes.

PLUDIŅŠ

Pludiņš ir balts plastmasas cilindrs, kas ar divām stieplēm iekarināts divos izvīrijumos. Pludiņš ūdeni peld, tādēļ, palielinoties ūdens līmenim, tas paceļas. Kad pludiņš sasniedz noteiktu augstumu, gaisa sausinātājs reaģē uz to un automātiski izslēdzas, lai izvairītos no pārplūšanas. Pēc ūdens tvertnes iztukšošanas tā jānovieto atpakaļ savā vietā, kā norādīts tālāk.

ŪDENS TVERTŅU IZTUKŠOŠANA

1. Kad ūdens tvertne ir pilna, uzmanīgi izvelciet to ārā un iztukšojiet kanalizācijā.
2. Ievietojiet ūdens tvertni atpakaļ iekārtā, līdz tā pieskaras pludiņam.
3. Paceliet ūdens tvertnes apakšējo malu uz augšu, lai nedaudz sāvērta tvertni.
4. Ievietojiet ūdens tvertni līdz galam. Tagad pludiņam jāatrodas ūdens tvertnē, nevis jābūt iespiestam aiz tās.

PIEZĪME!

Pludiņam ir brīvi jākarājas, jo tā mērķis ir **NOTE** ikt ūdens līmeni tvertnē un nodrošināt sausinātāja izslēgšanos, kad ūdens līmenis ir augsts. Nepareizi novietots pludiņš var izraisīt ūdens tvertnes pārplūšanu.

ŪDENS IZTECINĀŠANA KANALIZĀCIJĀ

1. Atvienojiet sausinātāju no strāvas kontaktligzdas un izņemiet ūdens tvertni, lai piekļūtu vītņotajam savienojumam zem pilieni paplātes.

2. Pievienojiet šļūtenes savienotāju vītņotajam savienojumam un otru caurules galu novirziet uz kanalizāciju. Pārļiecinieties, vai šļūtene ir novietota zemāk par pilieni paplāti.
3. Ievietojiet sausinātāja kontaktdakšu kontaktligzdā.
4. Ja šļūtene nav novietota tieši virs kanalizācijas atveres, rīkojieties, kā aprakstīts tālāk. Novietojiet gaisa sausinātāju tieši virs kanalizācijas atveres, lai kondensētais ūdens var tecēt pa caurumu iekārtas pamatnē tieši kanalizācijā.

AUTOMĀTISKA IZSLĒGŠANA

Kad ūdens tvertne ir pilna, sausinātājs automātiski izslēdzas. Tas nozīmē, ka, lai sausinātāju varētu atkal darbināt, ir jāiztukšo ūdens tvertne. Skatiet funkcijas aprakstu.

1. Atvienojiet gaisa sausinātāju no strāvas kontaktligzdas.
2. Iztukšojiet ūdens tvertni
3. Nomainiet iztukšoto ūdens tvertni un pārbaudiet, vai pludiņš brīvi karājas. Skatiet sadaļu "Pludiņš".
4. Pievienojiet gaisa sausinātāju pie strāvas kontaktligzdas. Sausinātājs atsāk darbību tādā pašā režīmā, kādā tas darbojies pirms atvienošanas.

GAISA FILTRS

Gaisa filtrs, kas atrodas iekārtas aizmugurē nodrošina, ka dzesēšanas spoles ir brīvas no putekļiem. Ir svarīgi, lai filtrs būtu tīrs un gaiss varētu brīvi plūst caur gaisa sausinātāju. Tādēļ, kad nepieciešams, filtrs ir jānomaina.

Sausinātājs ir aprīkots ar SMF filtru, kas uzlabo sausinātāja sniegumu un vēl vairāk attīra gaisu. Skatiet gaisa filtra nomaņņas norādījumus. Mēs iesakām mainīt filtru vismaz vienreiz gadā. Lai piedalītos garantijas programmā, reģistrējiet savu sausinātāju šeit: warranty-woods.com.

AUTOMĀTISKA ATKAUSĒŠANA

Wood's gaisa sausinātāji ir aprīkoti ar vadības sistēmām, kas nepieciešamības gadījumā nodrošina dzesēšanas spoļu atkausēšanu. Vadības sistēma izslēdz kompresoru, tādējādi apturot spoļu dzesēšanu. Ventilators turpina virzīt istabas temperatūras gaisu caur gaisa sausinātāju, tādējādi kausējot ledu un izraisot ūdens satēcēšanu tvertnē. Ievērojiet, ka zemākā temperatūra, kādā vadības sistēma pieļauj sausinātāja darbību, ir +2 °C.

VENTILATORS.

Ventilators nodrošina gaisa plūsmu caur gaisa sausinātāju. Vairums gaisa tiek iesūktnēs caur aizmuguri, plūst caur izvadītāju un kondensatoru un tiek izvadīts sausā veidā caur sausinātāja augšpusi.

TĪRĪŠANA UN APKOPE

Lai uzturētu Wood's gaisa sausinātāju augsto sausināšanas sniegumu, tie ir jātīra un tiem ir jāmaina filtrs.

- Gaisa izvadu var tīrīt ar putekļsūcēju vai birsti. Ievērojiet piesardzību, lai nesabojātu plāksnes.
- Dzesēšanas spirāles ļoti ieteicams tīrīt ar drānu un siltu ūdeni. Ievērojiet piesardzību.
- Ventilatora motors ir pastāvīgi eļļots un neprasa nekādu apkopi.

PIEZĪME!

Pirms tīrīšanas atvienojiet strāvas vadu no kontaktligzdas.

PADOMI

- Lai nodrošinātu maksimālu sausināšanas sniegumu telpā, ir ieteicams samazināt gaisa ieplūšanu no ārpuses un blakus esošajām telpām, aizverot durvis un vārstus. Ja iespējams, novietojiet gaisa sausinātāju telpas vidū.
- Lai panāktu ātrāku sausināšanu, palieliniet temperatūru telpā. (Karsts gaiss var saturēt vairāk ūdens.) Ja temperatūra ir zemāka par +2 °C, izmantojiet aizsarglīdzekli pret sasaldēšanu.
- Vasarā un rudenī sausinātājs savāc vairāk ūdens, jo āra gaiss ir silts un mitrs. (Absolūtais mitrums parasti ir augstāks.)
- Ieteicamie lietošanas ierobežojumi.
- Temp. LD no +2 °C līdz +35 °C
- Relatīvais mitrums: no 30 % līdz 90 %
- Ieteicamais mitruma līmenis aptuveni 50 % relatīvā mitruma

JA NEPIECIEŠAMA SAUSINĀTĀJA APKOPE

Ja gaisa sausinātājam ir nepieciešama apkope, vispirms sazinieties ar izplatītāju. Visām garantijas prasībām ir nepieciešams pirkuma apliecinājums.

PIEZĪME!

Saņemiet 10 gadu garantiju! Reģistrējieties vietnē warranty-woods.com. Vismaz vienu reizi gadā nomainiet SMF filtru. Lai uzzinātu vairāk, apmeklējiet vietni woods.se

GARANTĪJA

2 gadu garantija, ka neradīsies ražošanas defekti. Lūdzu, ievērojiet, ka garantija ir spēkā tikai, uzrādot pirkuma čeku.

SVARĪGI!

Wood gaisa sausinātājs ir jāsavieno ar iezemētu strāvas kontaktligzdu, kuras spriegums ir no 220 V līdz 240 V (50 Hz).

GARANTIJA

LAI SAŅEMTU PAGARINĀTU GARANTIJU (NO 2 LĪDZ 10 GADIEM), LŪDZU, IZPILDIET TĀLĀK NORĀDĪTĀS DARBĪBAS.

1. Pēc sausinātāja iegādes reģistrējiet to šeit: warranty-woods.com.
2. Regulāri (vismaz reizi gadā) nomainiet sausinātāja SMF filtru. Ja vēlaties, varam sūtīt jums atgādinājumus, kad pienācis laiks mainīt filtru. Šādi atgādinājumi, protams, ir bezmaksas. Filtrus var saņemt pie vietējā mazumtirgotāja vai izplatītāja. Lai atrastu tuvāko Wood's izplatītāju, apmeklējiet vietni woods.se.

PIEZĪME.

Reģistrējot sausinātāju vietnē warrantywoods.com, filtri nav obligāti jāiegādājas.

SAGLABĀJIET ČEKUS!

Tie būs nepieciešami jebkādam garantijas prasībām perioda laikā.





BRUKSANVISNING

Brennbart materiale. Denne enheten inneholder det brennbare kuldemediet R290/propan.



Se brukerhåndboken.



Les den tekniske håndboken



Les brukerhåndboken.

SIKKERHETSINFORMASJON

Les de vedlagte anvisningene nøye før utstyret installeres og brukes. Fabrikanten er ikke ansvarlig dersom feilaktig installering og bruk forårsaker skade på personer eller eiendom. Oppbevar alltid bruksanvisningen sammen med enheten for fremtidig referanse.

SIKKERHETEN TIL BARN OG SÅRBARE MENNESKER

ADVARSEL

Fare for personskade eller varig uførhet.

Denne enheten kan brukes av barn fra 8 år og oppover og av personer med nedsatte fysiske, sensoriske eller mentale evner eller manglende erfaring og kunnskap, såfremt de har tilsyn eller har fått innføring i hvordan enheten brukes på en trygg og sikker måte, og at de er klar over de farer bruken medfører. Ikke la barn leke med enheten.

Barn under 3 år bør holdes unna enheten hvis de ikke har konstant tilsyn. Oppbevar alt emballasjemateriale utilgjengelig for barn. Rengjøring og vedlikehold skal ikke utføres av barn uten tilsyn.

GENERELL SIKKERHET

Denne enheten er ment til bruk i husholdninger og tilsvarende, for eksempel kjellere, krypkjellere, personalkjøkken i butikker, kontorer og andre arbeidsmiljøer. Merkeplaten er plassert bak avfukterens vanntank. Sørg for at ventilasjonsåpningene ikke er tildekket.

Ikke bruk mekanisk utstyr eller annet for å fremskynde avrimingsprosessen. Følg fabrikantens anvisninger. Enheten skal ikke oppbevares i et rom der antenneskilder (åpen ild, gassdrevet utstyr i drift eller elektrisk varmeovn osv.) er i kontinuerlig bruk. Må ikke punkteres eller brennes.

Vær oppmerksom på at kuldemedier kan være helt uten lukt. Ikke rengjør enheten med vandusj og damp. Rengjør enheten med en fuktet myk klut. Bruk kun nøytrale rengjøringsmidler. Ikke bruk skuremidler, skuresvamp, løsemidler eller metallgjenstander. Hvis strømledningen blir skadet, må den skiftes ut av produsenten, et godkjent servicesenter eller tilsvarende kvalifisert personell for å unngå farlige situasjoner.

SIKKERHETSINSTRUKSJONER

ADVARSEL

Denne enheten skal kun installeres av en kvalifisert person.

Fjern all emballasje. Ikke installer eller bruk en skadet enhet. Enheten skal installeres, brukes og oppbevares i et rom med en gulvflate på mer enn 4 m². Følg nøye monteringsanvisningen som leveres med enheten. Vær alltid forsiktig når du flytter enheten – den er tung! Bruk alltid vernehansker.

Påse at luften kan sirkulere rundt enheten. Vent i minst 4 timer før enheten tilkobles strømmettet. Dette er for at oljen skal kunne renne tilbake i kompressoren. Ikke installer enheten nær radiatorer eller andre varmekilder. Ikke plasser enheten i direkte sollys.

STRØMTILKOBLING

ADVARSEL

Fare for brann og elektrisk støt.

Enheden må være koblet til en jordet stikkontakt. Kontroller at informasjonen på merkeplaten er i samsvar med strømforsyningen. Kontakt elektriker hvis ikke. Bruk alltid korrekt montert stikkontakt. Ikke bruk grenuttak og skjøteledninger. Pass på at de elektriske komponentene (f.eks. støpsele, strømledning) ikke skades. Kontakt det autoriserte servicesenteret eller en elektriker for å få skiftet de elektriske komponentene. Ledningen må ligge lavere enn støpselet. Ikke plugg støpselet i stikkontakten før installasjonen er fullført. Påse at støpselet er tilgjengelig etter at installasjonen er fullført. Ikke trekk i strømledningen for å koble fra enheten. Hold alltid i støpselet når strømledningen skal trekkes ut av kontakten.

BRUK

ADVARSEL

Fare for personskade, brannskade, elektrisk støt eller brann.

Enhetsens spesifikasjoner må ikke endres. Pass på at kjølekretsen ikke blir skadd. Den inneholder propan (R290), en naturgass med god miljøkompatibilitet. Denne gassen er antennbar. Hvis det oppstår skade på kjølekretsen, må man påse at det ikke er flammer og antenneskilder i rommet. Luft ut rommet. Ikke legg antennebare produkter eller gjenstander våte av antennebare produkter nær eller på enheten.

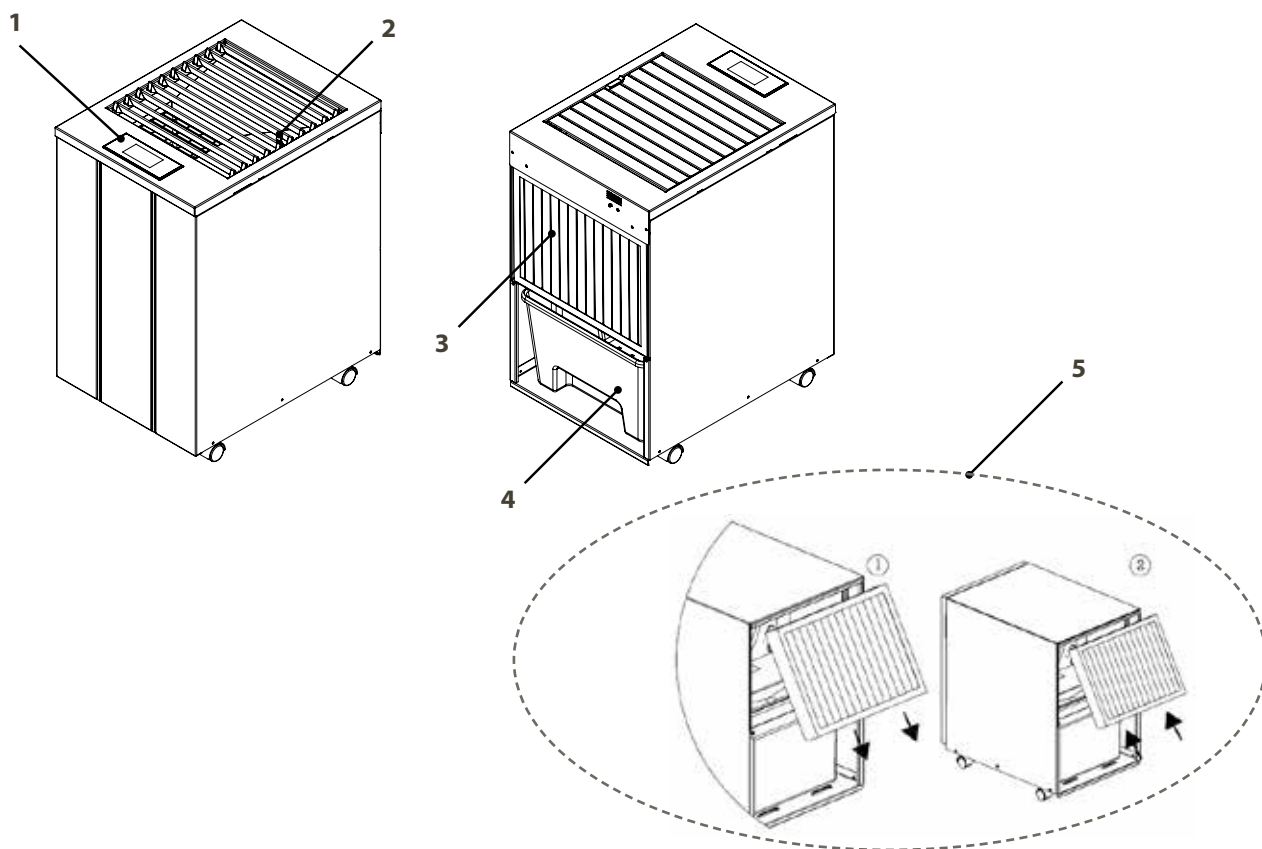
AVFALLSHÅNDTERING

ADVARSEL

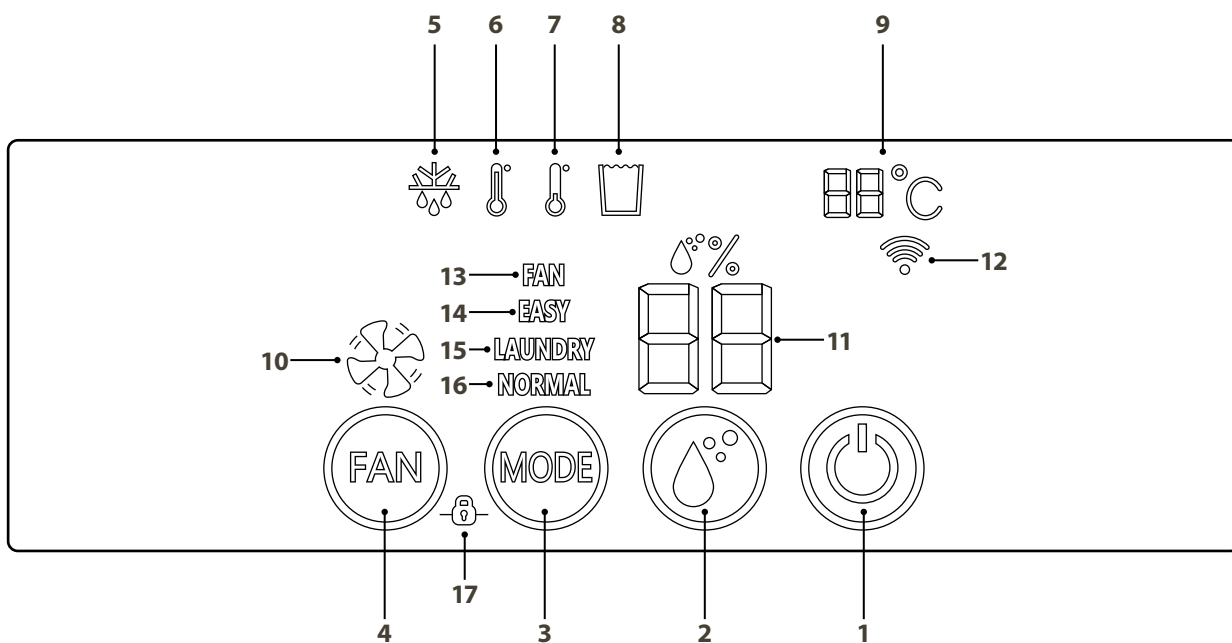
Fare for personskade.

Koble enheten fra strømmettet. Klipp av strømledningen og kast den. Denne enhetens kjølekrets er ozonvennlig. Kontakt den lokale gjenvinningsstasjonen for å få informasjon om korrekt kassering av enheten. Ikke skad den delen av kjøleenheten som er nærmest varmeveksleren.

A.



B.



PRODUKTBESKRIVELSE

A.

1. Kontrollpanel
2. Manøvreringsspak for å åpne / lukke / styre luftstrømmen
3. Luftfilter
4. Vannbeholder
5. Utskifting av luftfilter

B.

KONTROLLPANEL – FUNKSJONSBEKRIVELSE

Avfuktere i LD-serien er utstyrt med et intuitivt kontrollpanel for enkel og praktisk bruk. Vær oppmerksom på at kontrollpanelet går i inaktiv modus 20 sekunder etter tilkobling til strøm eller etter siste inndata, og aktiveres igjen ved at området der funksjonstastene er, berøres. Alle tastetrykk bekreftes med et lydsignal.

FUNKSJONSTASTER

1. PÅ/AV – slår avfukteren på og av. I av-modus er strømforbruket 0,5 W.
2. Stille inn ønsket fuktighet – bare aktiv i programmodusene Normal og Vifte. Ønsket fuktighet kan angis til 35–75 % i trinn på 1 prosentpoeng. Den angitte verdien vises først fast og deretter blinkende før den faktiske verdien vises på nytt.
3. Velge modus – se punkt 13–16 nedenfor for valg av driftsprogram.
4. Viftehastighet – i modusene Normal og Vifte kan viftehastigheten settes til lav eller høy. Bytte av hastighet finner sted med noen sekunders forsinkelse.

ALARMER/INFORMASJON

5. Avriming – kjølekretsen avrimes automatisk ved behov, ved at kompressoren slås av og bare viften er i drift. Symbolet slutter å lyse når avfuktingsprosessen startes igjen.
6. For høy omgivelsestemperatur – hvis omgivelsestemperaturen overstiger 35 °C, avbrytes avfuktingsprosessen og gjenopptas automatisk når omgivelsestemperaturen synker til under 35 °C. Symbolet lyser så lenge temperaturen er 35 °C eller høyere.
7. Lav romtemperatur – hvis omgivelsestemperaturen synker til under 2 °C, avbrytes avfuktingsprosessen. Den gjenopptas automatisk når omgivelsestemperaturen stiger til over 2 °C. Symbolet lyser så lenge temperaturen er 2 °C eller lavere.
8. Full kondensstank – når tanken er full, aktiveres et lydsignal i 20 sekunder, og symbolet lyser. Når vanntanken er tømt og satt på plass igjen, tilbakestilles driftsprogrammet automatisk. Kontroller at flottøren henger fritt i tanken.
9. Romtemperatur – viser den registrerte omgivelsestemperaturen.
10. Viftehastighet – vifte og streker indikerer høy hastighet, og bare vifte indikerer lav hastighet.
11. Relativ fuktighet – viser gjeldende og ønskede målverdier. Sistnevnte i forbindelse med innstilling av målverdier.
12. WiFi – indikerer at WiFi er tilkoblet. Gjelder bare modeller som er utstyrt med denne funksjonen.

DRIFTSMODUSER

13. Viftemodus – brukes hvis kontinuerlig luftsirkulasjon er ønskelig. Viftehastigheten og målverdien for luftfuktighet kan angis. Når det angitte målverdien er nådd, slås bare kompressoren av og startes på nytt hvis fuktigheten stiger.
14. Komfortmodus (EASY) – avfukteren har som mål 50 % relativ fuktighet med viften på lav hastighet. Når målverdien er nådd, slås kompressoren og viften av og startes på nytt hvis fuktigheten stiger til over 50 %.
15. Klestørkmodus (LAUNDRY) – avfuktingsprosessen er i drift med viften på høy hastighet til den slås av manuelt eller modusen endres.
16. Normalmodus (NORMAL) – brukes til manuell innstilling av målverdien for fuktighet og viftehastighet. Når den angitte målverdien er nådd, slås kompressoren og viften av og startes på nytt hvis fuktigheten stiger til over målverdien.
17. Låsefunksjon – brukes til å hindre utilsiktet endring av innstillingene. Låsefunksjonen aktiveres ved å trykke på FAN- og MODE-tastene samtidig i 3 sekunder. Deaktivering av låsefunksjonen gjøres på samme måte.

TEKNISKE DATA	LD40	LD44	LD48PRO+
Maks. arbeidsområde	100 m ²	140 m ²	180 m ²
Luftgjennomstrømning trinn 1	200 m ³ /t	160 m ³ /t	160 m ³ /t
Luftgjennomstrømning trinn 2	350 m ³ /t	300 m ³ /t	300 m ³ /t
Avfukting ved 20 °C og 70 % RF	7,5 l / 24 t	11 l / 24 t	16 l / 24 t
Avfukting ved 30 °C og 80 % RF	13 l / 24 t	19 l / 24 t	31 l / 24 t
Effekt ved 20 °C og 70 % RF	180 W	285 W	450 W
Strømforbruk ved 20 °C og 70 % RF	4,3 kWh / 24 t	8 kWh/24 t	9,1 kWh / 24 t
Tankvolum	11 l	11 l	11 l
Kuldemedium	R290	R290	R290
Utskifting av kuldemedium	99 g	115 g	130 g
Spenning	230 V	230 V	230 V
Frekvens	50 Hz	50 Hz	50 Hz
Sikring	10 A	10 A	10 A
IP-klasse	X1	X1	X1
Mål (L x B x H)	460 x 345 x 575 mm	460 x 345 x 575 mm	460 x 345 x 575 mm

*Tekniske endringer og forbedringer kan forekomme. Alle verdier er omtrentlige og kan variere ut fra eksterne forhold som temperatur, ventilasjon og luftfuktighet.

PROBLEM

TILTAK

Avfukteren starter ikke	<ul style="list-style-type: none"> Kontroller at avfukteren er koblet til strøm, og at sikringen ikke har gått. Hvis symbolet lyser, må du kontrollere at vanntanken er tom og riktig plassert i avfukteren. Påse at flottøren henger fritt. Kontroller at fuktighetsverdien på maskinens kontrollpanel vises, ved å «vekke» panelet. Avfukteren må starte innen 5 minutter hvis denne er høyere enn den angitte verdien. Koble fra strømledningen, vent 10 sekunder og koble den til på nytt.
Avfukteren starter ikke	<ul style="list-style-type: none"> Påse at viftehjulet går rundt. Påse at luften kan strøme fritt gjennom avfukteren. Luftutslipp og luftfiltre må være rene, og avfukteren må stå minst 20–30 cm fra veggen. Hør etter om kompressoren går, men vær oppmerksom på at den slås av midlertidig hvis avfukteren er i en avrimingssyklus. Vent først cirka 30 minutter. Kontroller at et tykt islag ikke dannes på kjøleslyngene/-lamellene bak filteret.
Høyt støynivå/skrangling	<ul style="list-style-type: none"> Øk avstanden mellom avfukteren og omkringliggende overflater. Kjøleslyngene kan være i kontakt med hverandre og skape vibrasjoner. Koble fra strømmen til avfukteren og separer slyngene.
Kondensvann ikke samlet opp	<ul style="list-style-type: none"> Kontroller om smuss eller annet er avsatt på dryppebrettet under kjøleslyngene, og rengjør om nødvendig. Kontroller at temperaturen er over 2 °C og under 35 °C.
Enheten slås ikke av når vanntanken er full	<ul style="list-style-type: none"> Det er viktig at flottøren henger fritt i vanntanken. Hvis ikke, er det ikke sikkert at den registrerer vannstanden og sørger for at avfukteren stanser.
Feilkode E2	<ul style="list-style-type: none"> Hvis E2 vises i displayet, kan fuktighetssensoren være defekt. Prøv å koble fra strømledningen, vent 10 sekunder og koble den til på nytt. Kontakt forhandleren hvis feilkoden vedvarer.

Les i feilsøkningsveiledningen hvis du har et problem med avfukteren. Kontakt forhandleren og avtal service på avfukteren hvis ingen av rådene ovenfor hjelper.

WOOD'S ER EN VERDENSLÉDE AVFUUKTER

Wood's har vært kjent som en markedsleder innen avfukting i mange år. Våre effektive avfuktere har lavt strømforbruk og egner seg til bruk i de mest krevende klimaer, der det trengs god avfukting selv ved lavere temperaturer og fuktighetsnivåer.

Våre avfuktere gir optimale resultater på steder som blir fuktige, for eksempel kjellere, garasjer, hytter, vaskerom, krypkjellere og innendørs bassengområder. En ekstra fordel er at de kan tørke klær og tekstiler effektivt uten å slite dem ut.

Mengden av fuktighet som avfukteren fjerner, avhenger av temperatur, fuktighetsnivå og plassering. Været utenfor påvirker også avfukterens ytelse. Når det er kaldt ute, synker den relative fuktigheten innendørs og reduserer dermed avfukterens fuktighetsabsorpsjon fra luften. Derfor er avfukteren beregnet for bruk i temperaturområdet +2 til +35 °C. Wood's avfuktere er trygge og konstruert for kontinuerlig drift i mange år.

FOR HØY LUFTFUKTIGHET UTGJØR EN FARE

Kondens oppstår når vanddampen i luften kommer i kontakt med kalde overflater som tak, vinduer eller vegger. Når vanddampen avkjøles, dannes kondens med vanddråper. Ved høy luftfuktighet kan gammel luft bli igjen, og det dannes mugg som skader huset og interiøret. Et slikt miljø kan også føre til sykdom hos beboerne, siden blant annet midd thrives i fuktige omgivelser. En avfukter med høy ytelse skaper et optimalt og sunt luftfuktighetsnivå. For å oppnå best mulig effekt bør dører og vinduer holdes lukket i rom som skal avfuktes. Avfukteren fjerner vond lukt, tørker treverk og fjerner fuktighet fra sportsutstyr til utendørsbruk osv. En avfukter kan brukes i kjellere, vaskerom, garasjer, campingvogner, hytter og båter. Ta en titt på rådene på slutten av denne bruksanvisningen hvis avfukteren skal brukes i kaldere omgivelser.

MERK!

Hvis den plasseres i et dusj- eller baderom, skal avfukteren være fastmontert. Det er obligatorisk å kontrollere og følge de gjeldende el-forskriftene for våtrom før bruk.

BRUK AV WOOD'S AVFUUKTERE

Hvis avfukteren transporteres liggende, må den stå oppreist i 4 timer før den tas i bruk. Det er svært viktig at oljen flyter tilbake til kompressoren, ettersom avfukteren ellers kan få alvorlige skader. Wood's avfuktere er enkle å flytte rundt når de er utstyrt med hjul. Det eneste som kreves, er en stikkontakt for 220–240 V innen rekkevidde, men legg merke til følgende:

Avfukteren skal ikke plasseres nær radiatorer eller andre varmekilder og ikke utsettes for

direkte sollys, da dette vil redusere ytelsen.

- Du kan bruke en radiator eller vifteovn for å holde temperaturen over +2 °C.
 - Avfukteren skal plasseres minst 25 cm fra vegger eller andre hindringer for å sikre maksimal luftgjennomstrømning.
 - Det optimale er å sette avfukteren så nær midten av rommet som mulig.
1. Kontroller at vanntanken er riktig plassert.
 2. Koble avfukteren til en jordet stikkontakt.
 3. Velg ønsket fuktighetsprogram eller fuktighetsnivå ved hjelp av kontrollpanelet. Se avsnittet med funksjonsbeskrivelsen.

MERK!

Når avfukteren slås av, tar det 5 minutter før den starter på nytt.

FLOTTØREN

Flottøren består av en hvit plastsylder festet til to vriere som henger fra to armer. Flottøren flyter og følger med oppover når vannstanden stiger. Når flottøren har nådd en viss høyde, oppdager avfukteren det og slår seg av automatisk for å unngå oversvømmelse. Etter tømning skal vanntanken settes på plass på følgende måte:

TØMME VANNBEHOLDERE

1. Når vanntanken er full, kan du trekke den forsiktig ut og tømme den i avløpet.
2. Skyv inn vannbeholderen til den berører flottøren.
3. Løft bunnen av vanntanken og hold den litt på skrå.
4. Skyv inn vanntanken til slutt. Flottøren skal nå være i vanntanken og ikke festet bak den.

MERK!

Det er viktig at flottøren henger fritt, for den skal registrere vannstanden i tanken og sørge for at avfukteren slås av når vannstanden er høy. En feilplassert flottør kan få vanntanken til å renne over.

TØMME VANNET I AVLØPET

1. Koble fra strømmen til avfukteren og ta ut vanntanken for å få tilgang til den gjengede kontakten under dryppbrettet.
2. Fest slangekoblingen til den gjengede kontakten og før slangen til avløpet. Påse at slangen er plassert lavere enn dryppbrettet.
3. Sett støpselet til avfukteren i stikkkontakten.
4. Uten slange og rett over avløpet: Plasser avfukteren direkte over avløpet slik at kondensvannet kan dryppe gjennom hullet i bunnen av avfukteren og ned i avløpet.

AUTOMATISK AVSTENGNING

Avfukteren slås av automatisk når vanntanken er full, og signaliserer at vanntanken må tømmes før avfukteren kan brukes videre. Se funksjonsbeskrivelsen.

1. Koble fra strømmen til avfukteren.
2. Tøm vanntanken.
3. Sett på plass den tomme vanntanken og kontroller at flottøren henger fritt. Se avsnittet Flottøren.
4. Koble avfukteren til stikkkontakten. Avfukteren starter på nytt på samme måte som når den har vært frakoblet.

LUFTFILTER

Luftfilteret på baksiden av avfukteren sørger for at kjøleslyngene holdes fri for støv. Det er viktig at filteret holdes rent, slik at luften kan strømme fritt gjennom avfukteren. Filteret bør derfor skiftes ut ved behov.

Avfukteren er utstyrt med et SMF-filter som øker kapasiteten til avfukteren og renser luften ytterligere. Se instruksjonene for utskifting av luftfilteret. Vi anbefaler minst ett filterskift per år. Registrer avfukteren din på warranty-woods.com for å aktivere garantien.

AUTOMATISK AVRIMING

Wood's avfuktere er utstyrt med et kontrollsystem som sørger for at kjøleslyngene avrimes når det er nødvendig. Kontrollsystemet slår av kompressoren, slik at kjølingen av slyngene stanses. Viften fortsetter å trekke den romtempererte luften gjennom avfukteren slik at isen smelter og vannet renner ned i vanntanken. Vær oppmerksom på at dette kontrollsystemet lar avfukteren være i drift ved temperaturer helt ned til +2 °C

VIFTE

Viften sørger for at luften strømmer gjennom avfukteren. Fuktig luft suges inn fra baksiden og gjennom fordampere og kondensatoren før tørr luft slippes ut fra toppen av avfukteren.

RENGJØRING OG VEDLIKEHOLD

Wood's avfuktere krever rengjøring og utskifting av filtre for å opprettholde sin høye avfukningskapasitet.

- Luftutløpet kan støvsuges eller rengjøres med en kost. Vær forsiktig for ikke å skade lamellene.
- Kjøleslyngene bør rengjøres med en klut og varmt vann. Vær forsiktig.
- Viftemotoren er permanent smurt og krever ikke vedlikehold.

MERK!

Trekk ut strømledningen fra stikkkontakten før rengjøring.

TIPS

- For maksimal avfukningskapasitet i et rom anbefales det at det kommer minimalt med luft utenfra og fra tilstøtende rom – lukk dører og ventiler. For optimal ytelse bør avfukteren om mulig plasseres midt i rommet.
- Øk temperaturen i rommet for raskere avfukting. (Varm luft kan absorbere mer vann.) Bruk frostvakt hvis temperaturen synker under +2 °C
- Avfukteren trekker ut mer vann om sommeren og høsten fordi luften ute er varm og fuktig. (Den absolutte luftfuktigheten er normalt høyere.)
- Anbefalte bruksgrenser:
 - Temp. LD +2 til +35 °C
 - Relativ fuktighet: 30 til 90 %
 - Anbefalt fuktighetsnivå ca. 50 % RF

SERVICE AV AVFUKTEREN

Kontakt først forhandleren når avfukteren trenger service. Du må fremlegge kvittering ved alle garantikrav.

MERK!

Få 10 års garanti! Registrer deg på warranty-woods.com
Skift ut SMF-filteet minst en gang i året.
Mer informasjon på woods.se

GARANTIER

2 års garanti mot fabrikkasjonsfeil. Vær oppmerksom på at det må fremvises kjøpskvittering for at garantien skal gjelde.

VIKTIG!

Wood's avfukter skal kobles til en jordet stikkontakt med spenning på 220–240 V 50 Hz.

GARANTI**FØLG DISSE ANVISNINGENE FOR Å FÅ EN
UTVIDET GARANTI FRA 2 TIL 10 ÅR.**

1. Registrer avfukteren etter kjøpet på warranty-woods.com
2. Skift ut SMF-filteet i avfukteren regelmessig, minst en gang i året. Hvis du vil, kan vi sende deg en påminnelse når det er på tide å skifte filter. Påminnelsen er selvfølgelig gratis. Du finner filtre hos din lokale forhandler eller distributør. Gå til woods.se for å se hvor din nærmeste Wood's-distributør er.

MERK!

Det inngår ingen forpliktelse til å kjøpe filtre når du registrerer avfukteren på warrantywoods.com

SPAR PÅ KVITTERINGENE!

De må fremvises ved ethvert garantikrav i den aktuelle perioden.





GEBRUIKSAANWIJZING

Ontvlambaar materiaal. Dit apparaat bevat R290/propana, een ontvlambaar koelmiddel.



Kijk in de gebruikshandleiding.



Lees de technische handleiding



Lees de gebruikshandleiding.

VEILIGHEIDSINFORMATIE

Lees vóór installatie en gebruik van het apparaat de bijgeleverde handleidingen aandachtig door. De fabrikant is niet verantwoordelijk als onjuiste installatie en gebruik leiden tot letsel en schade. Houd de handleidingen altijd bij het apparaat voor toekomstig gebruik.

VEILIGHEID KINDEREN EN KWETSBAAR PERSONEN

WAARSCHUWING ⚠

Risico op letsel of blijvende invaliditeit.

Dit apparaat kan worden gebruikt door kinderen van 8 jaar en ouder en personen met verminderde lichamelijke, zintuiglijke of mentale vermogens of gebrek aan ervaring en kennis indien zij op een veilige manier begeleid worden of instructie hebben gekregen over het gebruik van het apparaat en de gevaren begrijpen. Laat kinderen niet met het apparaat spelen. Kinderen jonger dan 3 jaar moeten van het apparaat weggehouden worden, tenzij zij onder voortdurend toezicht staan. Houd alle verpakkingen uit de buurt van kinderen. Reiniging en gebruikersonderhoud mogen niet door kinderen worden uitgevoerd zonder dat er toezicht is.

ALGEMENE VEILIGHEID

Dit apparaat is bedoeld om te worden gebruikt in huishoudelijke en soortgelijke toepassingen, zoals: kelders, kruipruimten; personeelskeukens in winkels, kantoren en andere werkomgevingen. Het typeplaatje zit achter de watertank van de luchtontvochtiger. Zorg dat de ventilatieopeningen niet geblokkeerd worden.

Gebruik geen mechanische apparaten of andere middelen om het ontdooiproces te versnellen, anders dan die door de fabrikant aanbevolen. Het apparaat mag

niet worden opgeslagen in een ruimte waar ontstekingsbronnen continu in bedrijf zijn (bijv. open vuur, een werkend gasapparaat, elektrische kachel e.d.). Niet doorboren of branden. Let op dat koelmiddelen geurloos kunnen zijn. Maak het apparaat niet schoon met harde waterstralen of stoom. Reinig het apparaat met een vochtige zachte doek. Gebruik alleen neutrale schoonmaakmiddelen. Gebruik geen schurende producten, schuursponsen, oplosmiddelen of metalen voorwerpen. Indien het netsnoer beschadigd is, moet het worden vervangen door de fabrikant, zijn geautoriseerde Service Centre of gelijkwaardig gekwalificeerde personen om problemen te voorkomen.

VEILIGHEIDSINSTRUCTIES

WAARSCHUWING ⚠

Dit apparaat mag alleen door een gekwalificeerd persoon geïnstalleerd worden.

Verwijder al het verpakkingsmateriaal. Installeer of gebruik geen beschadigd apparaat. Het apparaat moet geïnstalleerd, gebruikt en opgeslagen worden in een ruimte met een vloeroppervlak van ten minste 4 m². Volg de installatie-instructie die bij het apparaat is meegeleverd op strikte wijze. Wees altijd voorzichtig wanneer u het apparaat verplaatst omdat het zwaar is. Draag altijd veiligheidshandschoenen.

Zorg ervoor dat er lucht rond het toestel kan circuleren. Wacht minimaal 4 uur voordat u het apparaat aansluit op het stopcontact. Zo kan de olie terugstromen naar de compressor. Installeer het toestel niet vlak bij radiatoren of andere warmtebronnen. Plaats het toestel niet in direct zonlicht.

ELEKTRISCHE AANSLUITING

WAARSCHUWING ⚠

Gevaar voor brand en elektrische schokken.

Het apparaat moet op een geaard stopcontact zijn aangesloten. Zorg dat de elektrische gegevens op het typeplaatje overeenstemmen met de netvoeding. Is dat niet het geval dan moet u contact opnemen met een elektricien. Gebruik altijd een correct geïnstalleerd slagvast stopcontact. Gebruik geen stekkerdozen of verlengkabels. Zorg ervoor dat u de elektrische componenten niet beschadigt (bijv. stekker, netsnoer). Neem contact op met het geautoriseerde servicecentrum

of een elektricien om de elektrische componenten te vervangen. Het snoer moet lager liggen dan de stekker. Steek pas aan het einde van de installatie de stekker in het stopcontact. Controleer of u na de installatie bij de stekker kunt. Trek niet aan het netsnoer om het apparaat los te koppelen. Haal altijd de stekker uit het stopcontact.

GEBRUIK

WAARSCHUWING ⚠

Risico op letsel, brandwonden, elektrische schokken of brand.

Wijzig de specificatie van dit toestel niet. Zorg ervoor dat u het koelcircuit niet beschadigt. Het bevat propaan (R290), een natuurlijk gas met een grote milieucompatibiliteit. Dit gas is ontvlambaar. Als er schade aan het koelcircuit ontstaat moet u ervoor zorgen dat er geen vlammen of andere ontstekingsbronnen in de ruimte zijn. Ventileer de kamer. Zet geen brandbare producten of voorwerpen die nat zijn van brandbare stoffen in de buurt van of op het apparaat.

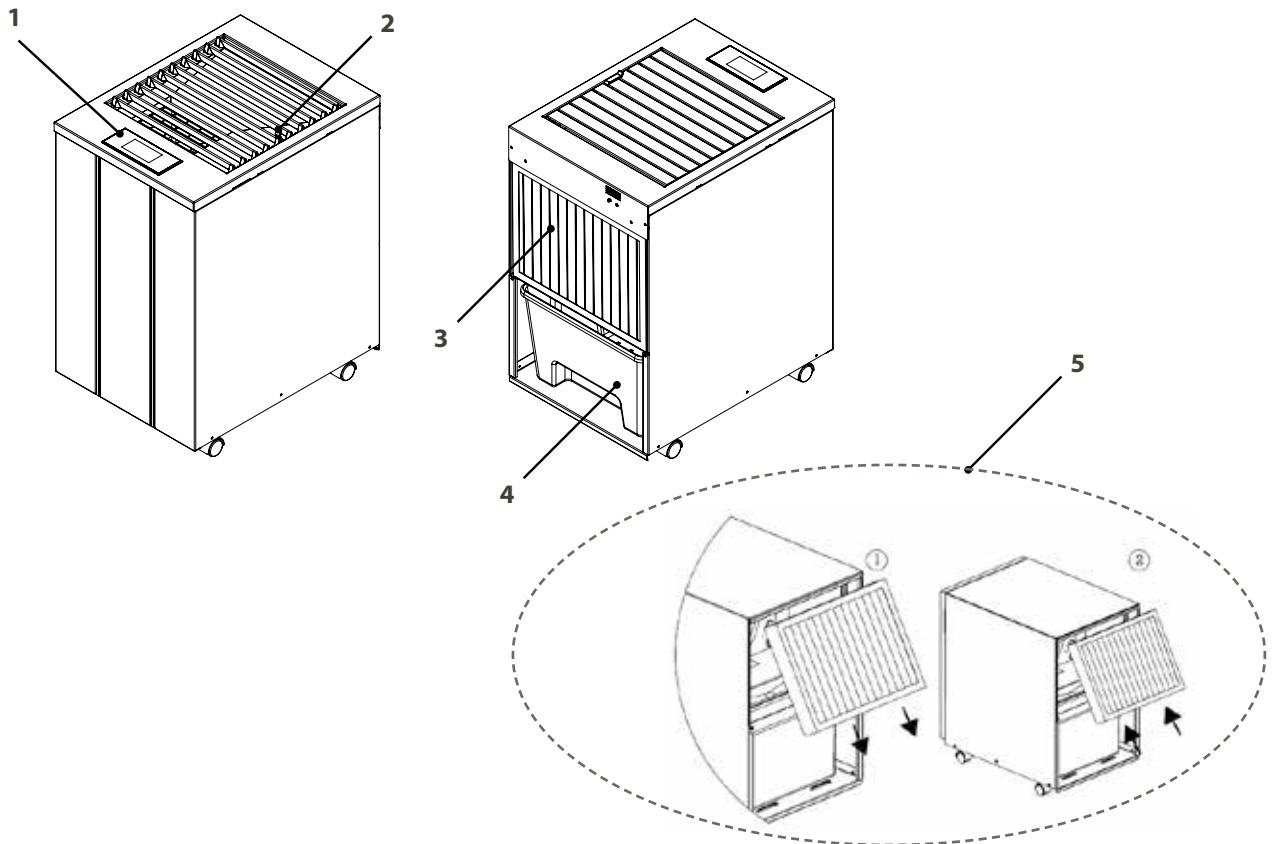
AFVOEREN

WAARSCHUWING ⚠

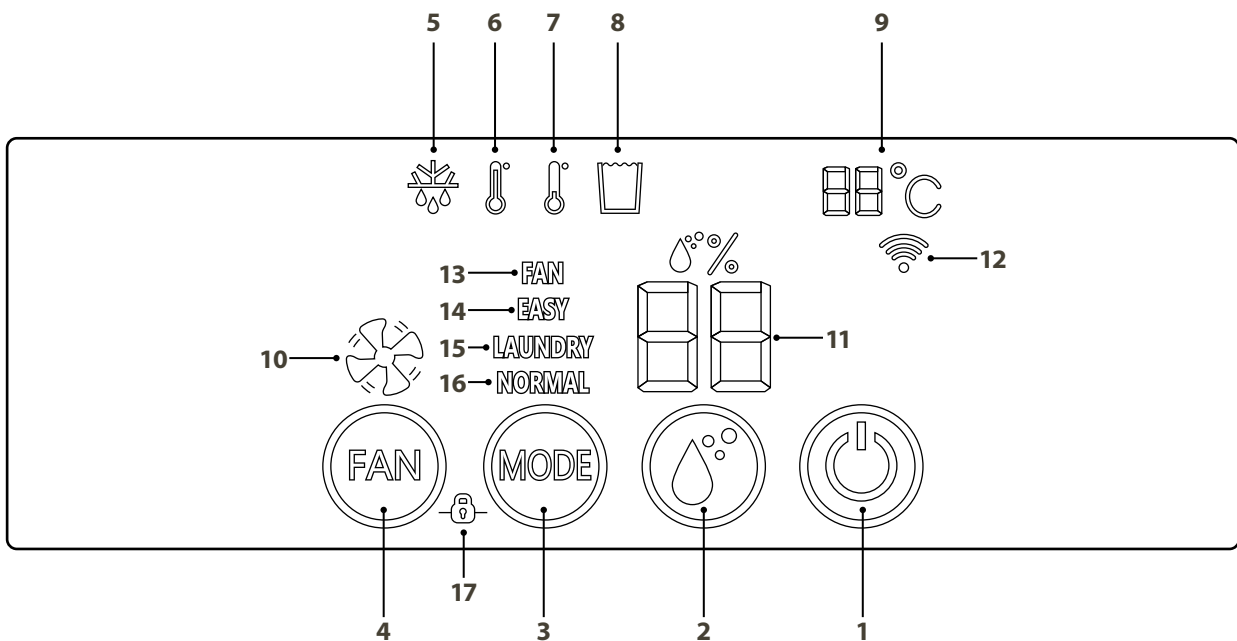
Risico op letsel.

Koppel het apparaat los van het net. Knip het netsnoer af en gooi dit weg. Het koelcircuit van dit apparaat is ozonvriendelijk. Neem contact op met uw locale milieustation voor informatie over hoe u het apparaat correct afvoert. Zorg dat het gedeelte van de koeleenheid dat zich in de buurt van de warmtewisselaar bevindt niet beschadigd raakt.

A.



B.



PRODUCTBESCHRIJVING

A.

1. Bedieningspaneel
2. Bedieningshendel om de luchtstroom te openen/sluiten/richten
3. Luchtfilter
4. Watertank
5. Luchtfilter vervangen

B.

BEDIENINGSPANEEL - FUNCTIEBESCHRIJVING

Luchtontvochtigers uit de LD-serie hebben een intuïtief bedieningspaneel voor eenvoudig en gemakkelijk gebruik. Het bedieningspaneel wordt na 20 seconden inactief nadat de stekker in het stopcontact is gestoken na het laatste gebruik van het bedieningspaneel. Het bedieningspaneel wordt weer actief wanneer u het gebied aanraakt waar de functietoetsen zitten. Alle toetsaanslagen worden bevestigd met een pieptoon.

FUNCTIETOETSEN

1. AAN/UIT - Zet de luchtontvochtiger aan en uit. In de uit-modus is het energieverbruik 0,5 W.
2. Instelling van de gewenste vochtigheid - Alleen actief in programmamodi 'Normaal' en 'Ventilator'. De gewenste luchtvochtigheid kan worden ingesteld tussen de 35 - 75% in stappen van 1 procentpunt. De ingestelde waarde wordt eerst vast brandend weergegeven en knippert vervolgens voordat de actuele waarde opnieuw verschijnt.
3. Modusselectie - Selectie van het programma, zie punten 13-16 hieronder.
4. Ventilatorsnelheid - De snelheid van de ventilator kan in de modus 'Normaal' en 'Ventilator' op lage of hoge snelheid worden ingesteld. Veranderen van de snelheden gebeurt met een paar seconden vertraging.

ALARMEN / INFORMATIE

5. Ontdooien - Indien nodig wordt het koelcircuit automatisch ontdooid, waarbij de compressor wordt uitgeschakeld en alleen de ventilator werkt. Het symbool gaat uit wanneer het ontvochtigingsproces opnieuw wordt gestart.
6. Te hoge omgevingstemperatuur - Als de omgevingstemperatuur hoger is dan 35°C, wordt het ontvochtigingsproces gestopt en wordt automatisch hervat wanneer de omgevingstemperatuur onder de 35°C daalt. Het symbool brandt zolang de temperatuur 35°C of hoger is.
7. Te lage kamertemperatuur - Als de omgevingstemperatuur lager wordt dan 2°C, wordt het ontvochtigingsproces gestopt en wordt automatisch hervat wanneer de omgevingstemperatuur boven de 2°C komt. Het symbool brandt zolang de temperatuur 2°C of lager is.
8. Condensaattank vol - Wanneer de tank vol is, klinkt er gedurende 20 seconden een hoorbaar signaal en brandt het symbool. Wanneer de watertank geleegd en teruggeplaatst is, wordt het programma automatisch gereset. Zorg ervoor dat de vlotter vrij in de tank hangt.
9. Kamertemperatuur - Toont de gemeten omgevingstemperatuur.
10. Ventilatorsnelheid - Ventilator en streepjes geven hoge snelheid aan en alleen ventilator geeft lage snelheid aan.
11. Relatieve luchtvochtigheid - Toont actuele en gewenste streefwaarden. Dit laatste in verband met de instelling van de streefwaarde.
12. WiFi - Geeft aan wanneer WiFi is verbonden. Is alleen van toepassing op modellen die deze functie hebben.

BEDRIJFSMODI

13. Ventilatormodus - Wordt gebruikt als continue luchtcirculatie gewenst is. Ventilatorsnelheid en streefwaarde voor vochtigheid kunnen worden ingesteld. Wanneer de ingestelde streefwaarde is bereikt, wordt alleen de compressor uitgeschakeld die opnieuw start als de luchtvochtigheid omhoog gaat.
14. Comfortmodus (EASY) - De luchtontvochtiger streeft naar een relatieve vochtigheid van 50% waarbij de ventilator op lage snelheid is ingesteld. Wanneer de streefwaarde is bereikt, worden de compressor en ventilator uitgeschakeld en opnieuw gestart als de luchtvochtigheid boven de 50% komt.
15. Wasdroogmodus (LAUNDRY) - Het ontvochtigingsproces draait met de ventilator op hoge snelheid totdat deze handmatig wordt uitgeschakeld of de modus wordt gewijzigd.
16. Normale modus (NORMAL) - Wordt gebruikt om handmatig de streefwaarde in te stellen voor luchtvochtigheid en ventilatorsnelheid. Wanneer de ingestelde streefwaarde is bereikt, worden de compressor en ventilator uitgeschakeld en opnieuw gestart als de luchtvochtigheid boven de streefwaarde komt.
17. Vergrendelingsfunctie - Wordt gebruikt om te voorkomen dat instellingen onbedoeld worden gewijzigd. De vergrendelingsfunctie werkt op de toetsen FAN en MODE tegelijkertijd gedurende 3 seconden. Het uitschakelen van de vergrendelingsfunctie gebeurt op dezelfde wijze.

TECHNISCHE GEGEVENS	LD40	LD44	LD48PRO+
Max. werkgebied	100 m ²	140 m ²	180 m ²
Luchtdebiet stap 1	200 m ³ /u	160 m ³ /u	160 m ³ /u
Luchtdebiet stap 2	350 m ³ /u	300 m ³ /u	300 m ³ /u
Ontvochtiging bij 20 °C en 70% RV	7,5 l/24 u	11 l/24 u	16 l/24 u
Ontvochtiging bij 30 °C en 80% RV	13 l/24 u	19 l/24 u	31 l/24 u
Vermogen bij 20 °C en 70% RV	180 W	285 W	450 W
Energieverbruik bij 20 °C en 70% RV	4,3 kWh/24 u	8 kWh/24 u	9,1 kWh/24 u
Inhoud tank	11 l	11 l	11 l
Koelmiddel	R290	R290	R290
Koelmiddel vervangen	99 g	115 g	130 g
Spanning	230 V	230 V	230 V
Frequentie	50 Hz	50 Hz	50 Hz
Zekering	10 A	10 A	10 A
IP-klasse	X1	X1	X1
Afmetingen (L x B x H)	460 x 345 x 575 mm	460 x 345 x 575 mm	460 x 345 x 575 mm

* Er kunnen technische veranderingen en verbeteringen voorkomen. Alle waarden zijn bij benadering en kunnen variëren afhankelijk van externe omstandigheden zoals temperatuur, ventilatie en luchtvochtigheid.

PROBLEEM

ACTIE

De luchtontvochtiger start niet	<ul style="list-style-type: none"> Controleer of de luchtontvochtiger op het stopcontact is aangesloten en of de zekering niet is gesprongen. Als het pictogram brandt moet u controleren of het watertank leeg is en op goed in de luchtontvochtiger is geplaatst. Zorg ervoor dat de vlotter vrij kan bewegen. Controleer of de waarde van de luchtvochtigheid op het bedieningspaneel van de machine wordt weergegeven door het paneel 'wakker te maken'. De luchtontvochtiger moet binnen 5 minuten starten als deze hoger is dan de ingestelde waarde. Haal de stekker uit het stopcontact, wacht 10 seconden en sluit het opnieuw aan.
De luchtontvochtiger start niet	<ul style="list-style-type: none"> Controleer of de ventilatorwaaier draait. Controleer of de lucht vrij door de luchtontvochtiger heen kan stromen. Luchtemissies en luchtfilters moeten schoon zijn en de luchtontvochtiger moet op minstens 20-30 cm van de wand staan. Luister of de compressor draait, maar houd er rekening mee dat de ontvochtiger mogelijk bezig is met ontdoeien is waardoor de compressor tijdelijk is gestopt. Begin met ongeveer 30 minuten te wachten. Controleer of er geen dikke laag ijs is ontstaan op de koelspiralen/lamellen achter het filter.
Veel lawaai/ratelen	<ul style="list-style-type: none"> Vergroot de afstand tussen de luchtontvochtiger en de omringende oppervlakken. De koelspiralen kunnen contact met elkaar maken en trillingen veroorzaken. Koppel de luchtontvochtiger los van het stopcontact en scheid de lussen
Geen condenswater opgevangen	<ul style="list-style-type: none"> Controleer of er geen vuil e.d. zich op de lekbak onder de koelspiralen heeft afgezet en reinig indien nodig. Controleer of de temperatuur hoger is dan 2°C en lager dan 35°C.
Gaat niet uit wanneer de watertank vol is	<ul style="list-style-type: none"> Het is belangrijk dat de vlotter vrij in het waterreservoir hangt. Is dit niet het geval, dan kan de vlotter het waterniveau niet detecteren en werkt het automatisch stoppen niet.
Foutcode E2	<ul style="list-style-type: none"> Als E2 op het display wordt weergegeven, kan de vochtigheidssensor defect zijn. Haal de stekker uit het stopcontact, wacht 10 seconden en sluit het opnieuw aan. Als de foutcode blijft, moet u contact opnemen met uw dealer.

Als u een probleem ondervindt met uw luchtontvochtiger kunt u de handleiding raadplegen voor probleemoplossing. Als geen van het bovenstaande werkt, neem dan contact op met uw dealer voor onderhoud aan uw luchtontvochtiger.

WOOD'S, EEN VAN DE WERELDLEIDERS OP HET GEBIED VAN LUCHTONTVOCHTIGERS

Wood's staat al jaren bekend als marktleider op het gebied van ontvochtiging. Onze efficiënte luchtontvochtigers bieden een laag energieverbruik en zijn geschikt voor gebruik in de meest veeleisende klimaten, waar ontvochtiging ook nodig is bij lagere temperaturen en vochtigheidsniveaus.

Onze luchtontvochtigers bieden optimale resultaten op plaatsen die vochtig worden, zoals kelders, garages, zomerhuizen, wasruimtes, kruipruimtes en binnenzwembaden. Een extra voordeel is hun vermogen om kleding en textiel effectief te drogen zonder dat ze slijten.

De hoeveelheid vocht die een luchtontvochtiger verwijdert hangt af van de temperatuur, vochtigheidsgraad en plaatsing. Het weer buitenshuis is ook van invloed op de prestaties van de luchtontvochtiger. Bij koud weer daalt de relatieve luchtvochtigheid binnenshuis, waardoor de vochtabsorptie door de luchtontvochtiger kleiner is. De ontvochtiger is daarom het beste geschikt voor gebruik in het temperatuurbereik van +2°C tot +35°C. Wood's luchtontvochtigers zijn veilig en ontworpen om jarenlang continu te werken.

TE HOGE LUCHTVOCHTIGHEID - EEN GEVAAR

Condensatie treedt op wanneer de waterdamp in de lucht in aanraking komt met een koud oppervlak zoals een plafond, raam of muur. Wanneer de waterdamp afkoelt, treedt condensatie op waardoor waterdruppels ontstaan. Bij hoge luchtvochtigheid kan er muffe lucht en schimmelvorming ontstaan die het huis en het interieur beschadigen. Een dergelijke omgeving kan ook leiden tot ziekten van de bewoners wanneer onder andere mijten gedijen in een vochtige omgeving. Een luchtontvochtiger met hoge prestaties zorgt voor een optimaal en gezond vochtigheidsniveau. Voor het beste effect moeten deuren en ramen van de te ontvochtigen ruimtes gesloten blijven. De luchtontvochtiger verwijdert slechte geur, droogt hout en verwijdert vocht uit sportuitrusting enz. Een luchtontvochtiger kan worden gebruikt in kelders, wasruimtes, garages, caravans, zomerhuisjes en boten. Als de luchtontvochtiger in een koudere omgeving gebruikt gaat worden, zijn de hints aan het einde van de gebruiksaanwijzing wellicht handig.

LET OP!

Wanneer hij wordt geplaatst in een douche of badruimte, moet de luchtontvochtiger worden vastgezet op de door u gekozen plek. U bent verplicht om voor gebruik de plaatselijke voorschriften betreffende elektriciteit in badkamers te controleren en te volgen.

GEBRUIK VAN WOOD'S LUCHTONTVOCHTIGERS

Als de luchtontvochtiger horizontaal is vervoerd, laat deze dan 4 uur staan voordat u hem in gebruik neemt. Het is erg belangrijk dat de olie terugstroomt naar de compressor, omdat de luchtontvochtiger anders ernstig beschadigd kan raken. Wanneer Wood's luchtontvochtigers voorzien zijn van wielen, kunnen gemakkelijk verplaatst worden. Het enige dat nodig is, is een stopcontact met 220-240 V binnen bereik, maar denk aan het volgende:

De luchtontvochtiger mag niet vlak bij radiatoren of andere warmtebronnen of in de volle zon worden geplaatst, omdat hierdoor de prestaties verminderen.

- U kunt een radiator of een kachelventilator gebruiken om de temperatuur boven de +2°C te houden.
- De luchtontvochtiger moet ten minste 25 cm van wanden en andere obstakels worden geplaatst zodat de luchtstroom maximaal kan zijn.
- Het is ideaal indien de luchtontvochtiger zo centraal mogelijk in de ruimte staat.

1. Controleer of de watertank correct geplaatst is.
2. Sluit de luchtontvochtiger aan op een geaard stopcontact.
3. Kies het gewenste vochtigheidsprogramma of vochtigheidsniveau via het bedieningspaneel. Raadpleeg het gedeelte over de functiebeschrijving.

LET OP!

Wanneer de luchtontvochtiger uit is gegaan, duurt het 5 minuten voordat hij opnieuw gestart kan worden.

VLOTTER

De vlotter bestaat uit een witte plastic cilinder hangend aan twee draden die in twee armen hangen. De vlotter is drijvend en wanneer het waterniveau stijgt, gaat de vlotter mee omhoog. Als de vlotter een bepaalde hoogte bereikt, wordt dit door de luchtontvochtiger gedetecteerd en zet zich automatisch uit om te voorkomen dat de tank overloopt. Wanneer de watertank geleegd is, moet het op de volgende wijze terug worden gezet:

WATERCONTAINERS LEGEN

1. Wanneer de watertank vol is, trekt u deze voorzichtig naar buiten en kunt u het in de afvoer leeg laten lopen.
2. Duw de watertank naar achteren beneden totdat het de vlotter raakt.
3. Til de onderrand van de watertank enigszins op om de watertank iets te laten hellen.

4. Duw de watertank over het laatste stuk in. De vlotter moet nu in de watertank hangen, in plaats van erachter vastgeklemd te zitten.

LET OP!

Het is belangrijk dat de vlotter vrij hangt, omdat deze het waterniveau in de tank moet aangeven en ervoor moet zorgen dat de luchtontvochtiger uitschakelt wanneer het niveau hoog is. Een verkeerd gepositioneerde vlotter kan ervoor zorgen dat de watertank overloopt.

AFVOER VAN HET WATER NAAR HET RIOOL

1. Haal de stekker uit het stopcontact en verwijder de watertank om bij de schroefdraadaansluiting onder de lekbak te komen.
2. Bevestig de slangkoppeling aan de schroefdraadaansluiting en leg de slang naar de afvoer. Zorg ervoor dat de slang lager ligt dan de lekbak.
3. Steek de stekker van de luchtontvochtiger in het stopcontact.
4. Zonder slang en direct boven de afvoer: Plaats de luchtontvochtiger direct boven de afvoer zodat het gecondenseerde water door het gat in de onderkant van de luchtontvochtiger in de afvoer kan druppelen.

AUTOMATISCHE UITSCHAKELING

Wanneer de watertank vol is, wordt de luchtontvochtiger automatisch uitgeschakeld en wordt u aangegeven dat de watertank geleegd moet worden voordat u de luchtontvochtiger opnieuw kunt gebruiken. Raadpleeg de functiebeschrijving.

1. Haal de stekker van de luchtontvochtiger uit het stopcontact.
2. Leeg de watertank.
3. Zet de lege watertank terug en zorg ervoor dat de vlotter vrij hangt, raadpleeg het gedeelte Vlotter.
4. Sluit de luchtontvochtiger aan op het stopcontact. De luchtontvochtiger zal herstarten in dezelfde modus als toen de stekker uit het stopcontact werd gehaald.

LUCHTFILTER

De luchtfilter aan de achterkant van de luchtontvochtiger zorgt ervoor dat de koelsslangen stofvrij blijven. Het is belangrijk dat het filter schoon is zodat de lucht vrij door de luchtontvochtiger heen kan stromen. Het filter moet daarom indien nodig worden vervangen.

De luchtontvochtiger is uitgerust met een SMF-filter dat de capaciteit van de luchtontvochtiger verbetert en de lucht verder zuivert. Raadpleeg de instructies voor het vervangen van het luchtfilter. We raden ten minste het filter minstens één keer per jaar

te vervangen. Om het garantieprogramma te volgen moet u uw luchtontvochtiger registreren bij warranty-woods.com

AUTOMATISCH ONTDOOIEN

Wood's luchtontvochtigers zijn voorzien van een regelsysteem dat ervoor zorgt dat de koelspiralen worden ontdooid zodra dat nodig is. Het systeem zet de compressor uit waardoor de spiralen niet langer gekoeld worden. De ventilator blijft lucht op kamertemperatuur door de luchtontvochtiger trekken waardoor het ijs smelt en het water naar beneden in de watertank loopt. Door dit regelsysteem kan de luchtontvochtiger bij temperaturen tot + 2°C blijven functioneren.

VENTILATOR

De ventilator zorgt ervoor dat de lucht door de luchtontvochtiger stroomt. Vochtige lucht wordt van achteren en via de verdamper en condensor aangezogen en wordt droog aan de bovenkant van de luchtontvochtiger naar buiten gelaten.

SCHOONMAKEN EN ONDERHOUD

Wood's luchtontvochtigers moeten schoongemaakt worden en het filter moet vervangen worden om hun hoge ontvochtigingscapaciteit te behouden.

- De luchtuitlaat kan gestofzuigd of gereinigd worden met een borstel. Wees voorzichtig om beschadiging van de lamellen te voorkomen.
- De koelspiralen worden het beste schoongemaakt met een doek en warm water. Wees voorzichtig.
- De ventilator motor is levensduur gesmeerd en vereist geen onderhoud.

LET OP!

Haal de stekker uit het stopcontact voordat u gaat schoonmaken.

TIPS

- Voor maximale ontvochtigingscapaciteit in een ruimte is het raadzaam de luchttoevoer van buiten en van aangrenzende kamers zo klein mogelijk te maken: sluit deuren en ventilatie-openingen. Plaats indien mogelijk de ontvochtiger in het midden van de ruimte.
- Verhoog de temperatuur in de kamer voor snellere ontvochtiging. (Hete lucht bevat meer water). Gebruik een vorstbeschermer als de temperatuur onder +2°C kan komen
- De luchtontvochtiger haalt in de zomer en herfst meer water uit de lucht omdat de buitenlucht dan warm en vochtig is. (De absolute luchtvochtigheid is normaal gesproken hoger).
- Aanbevolen gebruiksgrenzen:
 - Temp. LD +2°C tot +35°C
 - Relatieve luchtvochtigheid: 30% tot 90%
 - Aanbevolen vochtgehalte c.a. 50% RV

WANNEER DE LUCHTONTVOCHTIGER EEN ONDERHOUDSBEURT NODIG HEEFT

Als de luchtontvochtiger onderhoud nodig heeft, moet u eerst contact opnemen met uw leverancier. Voor alle garantieclaims is een aankoopbewijs nodig.

LET OP!

Krijg 10 jaar garantie! Registreer uw aankoop op warranty-woods.com
Vervang het SMF-filter minstens 1 keer per jaar. Kijk voor meer informatie op woods.se

GARANTIES

2-jarige garantie op productiefouten. Houd er rekening mee dat de garantie alleen geldig is op vertoon van een aankoopbewijs

BELANGRIJK!

Wood's luchtontvochtiger moet worden aangesloten op een geaard stopcontact met een spanning van 220V-240V 50Hz.

GARANTIE**VOLG DEZE STAPPEN OM DE GARANTIE TE VERLENGEN VAN 2 TOT 10 JAAR.**

1. Registreer uw luchtontvochtiger na uw aankoop op warranty-woods.com
2. Vervang het SMF-filter in uw luchtontvochtiger regelmatig, ten minste eenmaal per jaar. Als u wilt, sturen we u een herinnering wanneer het filter vervangen moet worden. De herinnering is uiteraard gratis. U kunt filters aanschaffen bij uw lokale dealer of distributeur. Ga naar woods.se om de dichtstbijzijnde distributeur van Wood te vinden.

LET OP!

Er is geen verplichting om filters aan te schaffen wanneer u uw luchtontvochtiger registreert bij warranty-woods.com

BEWAAR UW BONNETJES!

Deze zijn vereist voor elke garantieclaim tijdens de periode.





INSTRUKCJE UŻYTKOWANIA

Materiał łatwopalny. Urządzenie zawiera palny czynnik chłodniczy R290/Propan.



Patrz instrukcja obsługi.



Przeczytaj instrukcję techniczną



Przeczytaj instrukcję obsługi.

INFORMACJE DOTYCZĄCE BEZPIECZEŃSTWA

Przed instalacją i użytkowaniem urządzenia należy dokładnie zapoznać się z załączoną instrukcją obsługi. Producent nie ponosi odpowiedzialności, jeśli nieprawidłowy montaż i użytkowanie spowodują obrażenia ciała i szkody. Instrukcję obsługi urządzenia przechowuj zawsze razem z urządzeniem, żeby w razie potrzeby móc się do niej odwołać w przyszłości.

BEZPIECZEŃSTWO DZIECI ORAZ OSÓB SZCZEGÓLNIE PODATNYCH NA ZAGROŻENIA

OSTRZEŻENIE ⚠

Ryzyko urazu lub trwałej niepełnosprawności.

Urządzenie będące przedmiotem tej instrukcji może być użytkowane przez dzieci w wieku od lat 8 wzwyż, przez osoby o ograniczonej sprawności ruchowej, sensorycznej bądź umysłowej oraz przez osoby niemające odpowiedniego doświadczenia tylko pod warunkiem, że podczas użytkowania pozostają pod nadzorem albo zostały uprzednio poinstruowane w zakresie bezpiecznego użytkowania urządzenia i rozumieją związane z tym zagrożenia. Nie zezwalać dzieciom na zabawę urządzeniem. Dzieci poniżej 3. roku życia powinny przebywać z dala od urządzenia, chyba że znajdują się pod stałym nadzorem. Przechowywać wszystkie opakowania z dala od dzieci. Dzieci nie mogą czyścić ani konserwować urządzenia bez nadzoru.

BEZPIECZEŃSTWO OGÓLNE

Urządzenie jest przeznaczone do użytku domowego i podobnych zastosowań, jak np: w piwnicach, pustkach podpodłogowych; kuchniach dla personelu w sklepach, biurach i innych miejscach pracy. Tabliczka znamionowa znajduje się za zbiornikiem na wodę osuszacza. Otwory wentylacyjne nie mogą

być zasłonięte.

Procesu rozmrażania nie należy przyspieszać przy pomocy urządzeń mechanicznych ani żadnych środków innych niż zalecane przez producenta. Urządzenie nie może być przechowywane w pomieszczeniu, w którym stale działają źródła zapłonu (otwarty ogień, pracujące urządzenie gazowe, grzejnik elektryczny itp.). Nie dziurawić i nie przypalać. Należy pamiętać, że czynniki chłodnicze mogą nie wydzielać zapachu. Nie czyścić urządzenia rozpyloną wodą ani parą. Czyścić urządzenie wilgotną, miękką ściereczką. Stosować wyłącznie detergenty obojętne. Nie używać substancji ściernych, szorstkich akcesoriów czyszczących, rozpuszczalników ani przedmiotów metalowych. Jeśli przewód zasilający jest uszkodzony, musi zostać wymieniony przez producenta, w autoryzowanym punkcie serwisowym lub osoby o podobnych kwalifikacjach, aby uniknąć zagrożenia.

WSKAZÓWKI BEZPIECZEŃSTWA

OSTRZEŻENIE ⚠

Urządzenie może być instalowane wyłącznie przez wykwalifikowaną osobę.

Usunąć wszystkie opakowania. Urządzenia uszkodzonego nie instalować ani nie używać. Urządzenie powinno być zainstalowane, obsługiwane i przechowywane w pomieszczeniu o powierzchni podłogi większej niż 4m². Należy ściśle przestrzegać instrukcji montażu dostarczonej wraz z urządzeniem. Zawsze należy zachować ostrożność podczas przenoszenia urządzenia, ponieważ jest ciężkie. Należy zawsze nosić rękawice ochronne.

Dopilnować, żeby powietrze mogło krążyć wokół urządzenia. Odczekać co najmniej 4 godziny przed podłączeniem urządzenia do gniazda zasilania. Ma to na celu umożliwienie powrotu oleju do sprężarki. Nie instalować urządzenia w pobliżu grzejników lub innych źródeł ciepła. Nie należy instalować urządzenia w miejscu narażonym na bezpośrednie działanie promieni słonecznych.

PODŁĄCZENIE ELEKTRYCZNE

OSTRZEŻENIE ⚠

Niebezpieczeństwo pożaru i porażenia prądem elektrycznym.

Urządzenie musi być podłączone do uziemionego gniazda. Należy

upewnić się, że informacje elektryczne na tabliczce znamionowej są zgodne z parametrami zasilania. W przeciwnym razie skontaktować się z elektrykiem. Należy zawsze używać prawidłowo zainstalowanego gniazda odpornego na wstrząsy. Nie należy używać adapterów i przedłużaczy wielogniazdowych. Należy uważać, aby nie uszkodzić elementów elektrycznych (np. wtyczki, kabla). W celu wymiany części elektrycznych należy skontaktować się z autoryzowanym punktem serwisowym lub elektrykiem. Kabel musi znajdować się poniżej poziomu wtyczki. Podłączyć wtyczkę do gniazda elektrycznego dopiero po zakończeniu instalacji. Po zakończeniu instalacji należy upewnić się, że wtyczka jest podłączona do gniazda. Nie ciągnąć za kabel zasilający w celu odłączenia urządzenia. Kabel zasilający należy zawsze odłączać tylko od wtyczki.

UŻYTKOWANIE

OSTRZEŻENIE ⚠

Niebezpieczeństwo obrażeń, oparzeń, porażenia prądem elektrycznym lub pożaru.

Nie należy zmieniać specyfikacji urządzenia. Uważać, aby nie uszkodzić obiegu czynnika chłodniczego. Zawiera on propan (R290), gaz ziemny o wysokim poziomie ekologiczności. Gaz ten jest łatwopalny. Jeśli obieg czynnika chłodniczego ulegnie uszkodzeniu, należy upewnić się, że w pomieszczeniu nie ma płomieni ani źródeł zapłonu. Przewietrzyć pomieszczenie. W pobliżu urządzenia lub na nim nie wolno umieszczać produktów lub przedmiotów łatwopalnych, które są zwilżone produktami łatwopalnymi.

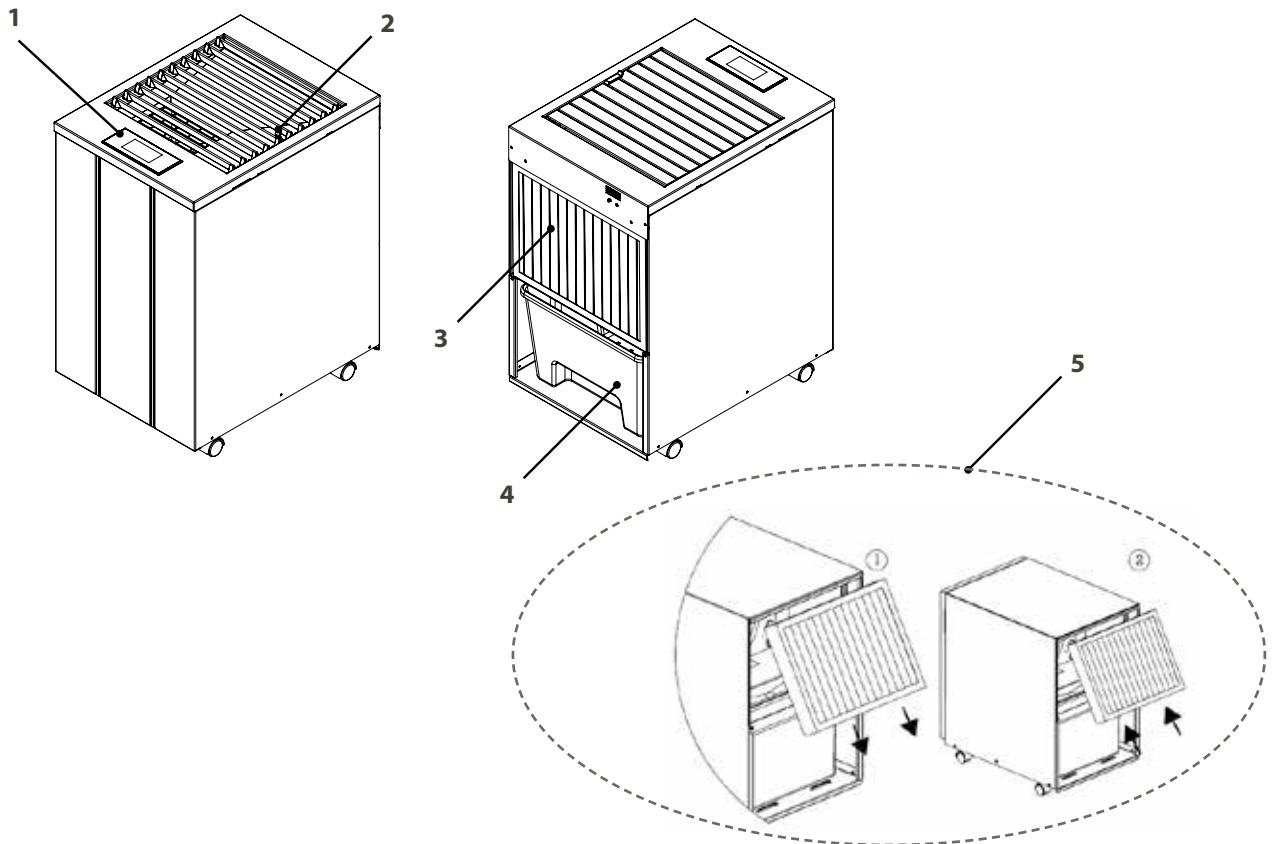
UTYLIZACJA

OSTRZEŻENIE ⚠

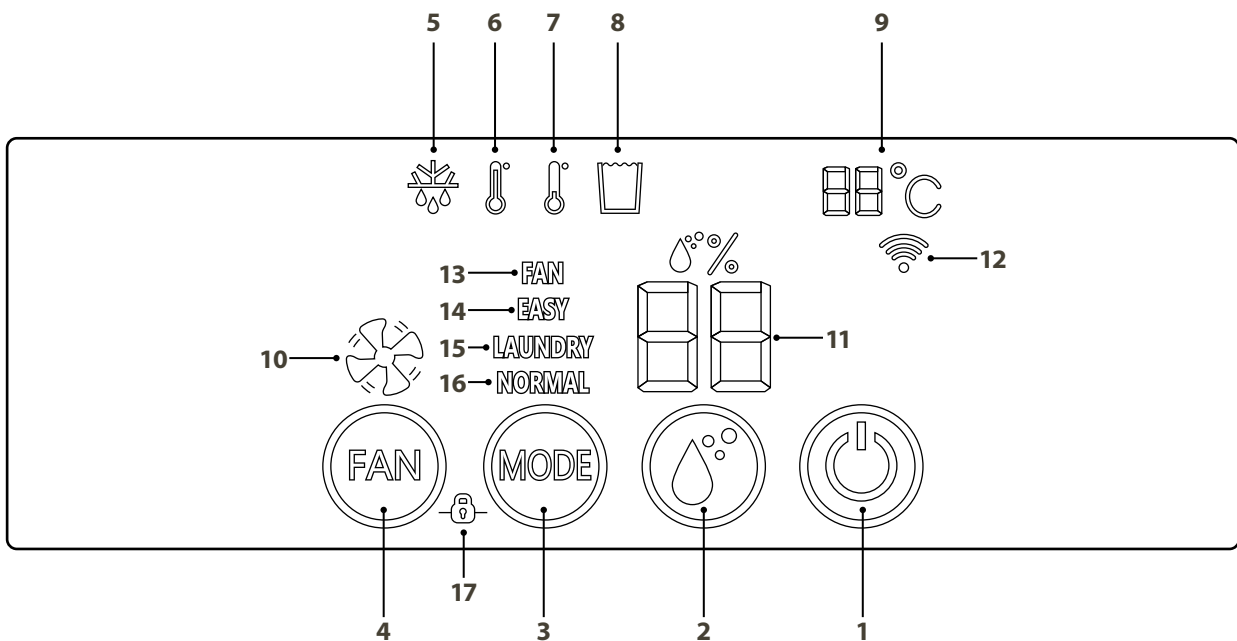
Ryzyko obrażeń.

Odłączyć urządzenie od zasilania sieciowego. Odłączyć kabel sieciowy i wyrzucić go. Obieg czynnika chłodniczego urządzenia jest przyjazny dla warstwy ozonowej. Należy skontaktować się z lokalnymi władzami, aby uzyskać informacje o tym, jak prawidłowo pozbyć się urządzenia. Nie wolno dopuścić do uszkodzenia części zespołu chłodzenia urządzenia położonej przy wymienniku ciepła.

A.



B.



OPIS PRODUKTU

A.

1. Panel sterowania
2. Manewrowanie dźwignią w celu otwarcia/zamknięcia/wycelowania strumienia powietrza
3. Filtr powietrza
4. Pojemnik na wodę
5. Zmiana filtra powietrza

B.

PANEL STEROWANIA – OPIS FUNKCJI

Osuszacze serii LD wyposażone są w intuicyjny panel sterowania zapewniający prostą i wygodną obsługę. Należy pamiętać, że panel przechodzi w stan spoczynku po 20 sekundach od podłączenia napięcia sieciowego lub od ostatniego wejścia i jest ożywiana przez dotknięcie obszaru, na którym znajdują się przyciski funkcyjne. Wszystkie naciśnięcia przycisków są potwierdzane sygnałem dźwiękowym.

PRZYCISKI FUNKCYJNE

1. ON/OFF – Włącza i wyłącza osuszacz. W trybie wyłączenia zużycie energii wynosi 0,5 W.
2. Ustawienie żądanej wilgotności – aktywne tylko w trybach programu „Normalny” i „Wentylator”. Pożądaną wilgotność można ustawić w zakresie 35 - 75% w etapach co 1 punkt procentowy. Ustawiona wartość jest najpierw wyświetlana jako stała, a następnie miga, po czym ponownie pojawia się wartość rzeczywista.
3. Wybór trybu pracy – Wybór programu pracy, patrz punkty 13-16 poniżej.
4. Prędkość wentylatora – Prędkość wentylatora w trybie „Normal” i „Fan” może być ustawiona na niską lub wysoką prędkość. Przełączanie pomiędzy prędkościami odbywa się z kilkusekundowym opóźnieniem.

ALARMY / INFORMACJA

5. Odszranianie – W razie potrzeby obieg chłodniczy jest odszraniany automatycznie, przy czym sprężarka jest wyłączona i pracuje tylko wentylator. Symbol gaśnie po ponownym uruchomieniu procesu osuszania.
6. Zbyt wysoka temperatura otoczenia – Jeśli temperatura otoczenia przekroczy 35°C, proces osuszania zostanie wyłączony i wznowiony automatycznie, gdy temperatura otoczenia spadnie poniżej 35°C. Symbol ten świeci się tak długo, jak długo temperatura wynosi 35°C lub więcej.
7. Niska temperatura pomieszczenia – Jeżeli temperatura otoczenia spadnie poniżej 2°C proces osuszania zostanie wyłączony i wznowiony automatycznie, gdy temperatura otoczenia wzrośnie powyżej 2°C. Symbol ten świeci się tak długo, jak długo temperatura wynosi 2°C lub mniej.
8. Zbiornik kondensatu pełny – Gdy zbiornik jest pełny, przez 20 sekund włącza się sygnał dźwiękowy i świeci się symbol. Po opróżnieniu zbiornika na wodę i ponownym jego umieszczeniu, reset jest automatycznie przywracany do programu pracy. Upewnić się, że pływak wisi swobodnie w zbiorniku.
9. Temperatura pomieszczenia – Wyświetla wykrytą temperaturę otoczenia.
10. Prędkość wentylatora – Wentylator i kreski oznaczają wysoką prędkość, a tylko wentylator oznacza niską prędkość.
11. Wilgotność względna – Pokazuje bieżące i pożądane wartości docelowe. To ostatnie w połączeniu z ustawieniem wartości docelowej.
12. WiFi – Wskazuje, kiedy WiFi jest podłączone. Dotyczy tylko modeli wyposażonych w tę funkcję.

TRYBY PRACY

13. Tryb wentylatora – Używany, gdy wymagana jest ciągła cyrkulacja powietrza. Można ustawić prędkość wentylatora i wartość docelową dla wilgotności. Po osiągnięciu ustawionej wartości zadanej wyłączana jest tylko sprężarka, aby ponownie ją uruchomić, gdy wilgotność wzrośnie.
14. Tryb komfortowy (EASY) – Osuszacz dąży do osiągnięcia wilgotności względnej 50% przy ustawieniu wentylatora na niską prędkość. Po osiągnięciu wartości docelowej, sprężarka i wentylator wyłączają się i uruchamiają ponownie, jeśli wilgotność wzrośnie powyżej 50%.
15. Tryb suszenia bielizny (LAUNDRY) – Proces osuszania przebiega z wysoką prędkością wentylatora do momentu jego ręcznego wyłączenia lub zmiany trybu.
16. Tryb normalny (NORMALNY) – służy do ręcznego ustawiania wartości docelowej wilgotności i prędkości wentylatora. Po osiągnięciu ustawionej wartości zadanej, sprężarka i wentylator wyłączają się i uruchamiają ponownie, jeśli wilgotność wzrośnie powyżej wartości zadanej.
17. Funkcja blokady – Służy do zapobiegania niezamierzonej zmianie ustawień. Funkcja blokady polega na jednoczesnym naciśnięciu przycisków FAN i MODE przez 3 sekundy. Wyłączenie funkcji blokady odbywa się w ten sam sposób.

DANE TECHNICZNE	LD40	LD44	LD48PRO+
Maks. obszar działania	100 m ²	140 m ²	180 m ²
Strumień powietrza etap 1	200 m ³ /h	160 m ³ /h	160 m ³ /h
Przepływ powietrza etap 2	350 m ³ /h	300 m ³ /h	300 m ³ /h
Osuszanie w temp. 20°C i 70% wilgotności względnej.	7,5 l/24h	11 l/24h	16 l/24h
Osuszanie w temp. 30°C i przy 80% wilgotności względnej.	13 l/24h	19 l/24h	31 l/24h
Moc w temp. 20°C i 70% wilgotności względnej.	180 W	285 W	450 W
Zużycie energii przy 20° i 70% wilgotności względnej.	4,3 kWh/24 h	8 kWh/24 h	9,1 kWh/24 h
Pojemność zbiornika	11 l	11 l	11 l
Ilość czynnika chłodniczego	R290	R290	R290
Zmiana czynnika chłodniczego	99 g	115 g	130 g
Napięcie	230 V	230 V	230 V
Częstotliwość	50 Hz	50 Hz	50 Hz
Bezpiecznik	10 A	10 A	10 A
Klasa IP	X1	X1	X1
Wymiary (długość × szerokość × wysokość)	460 x 345 x 575 mm	460 x 345 x 575 mm	460 x 345 x 575 mm

* Możliwe są zmiany i udoskonalenia techniczne. Wszystkie wartości są podane w przybliżeniu i mogą się różnić w zależności od warunków zewnętrznych, takich jak temperatura, wentylacja i wilgotność.

PROBLEM

ROZWIĄZANIE

Osuszacz nie uruchamia się	<ul style="list-style-type: none"> Należy upewnić się, że osuszacz jest podłączony do gniazda i że nie przepalił się bezpiecznik. Jeśli świeci się ikona symbolu, należy sprawdzić, czy zbiornik na wodę jest pusty i prawidłowo osadzony w osuszaczu. Upewnić się, że pływak wisi swobodnie. Sprawdzić, czy wartość wilgotności w panelu sterowania urządzenia jest wyświetlana poprzez „wybudzenie” panelu. Osuszacz musi się uruchomić w ciągu 5 minut, jeśli wartość jest wyższa niż ustawiona. Odłączyć przewód zasilający, odczekać 10 sekund i podłączyć go ponownie.
Osuszacz nie uruchamia się	<ul style="list-style-type: none"> Upewnić się, że koło wentylatora obraca się. Upewnić się, czy powietrze może swobodnie przepływać przez osuszacz. Emisja powietrza i filtry powietrza muszą być czyste, a osuszacz powinien znajdować się w odległości co najmniej 20-30 cm od ściany. Należy posłuchać, czy sprężarka pracuje, ale pamiętać, że może być w cyklu odszraniania, co powoduje tymczasowe zatrzymanie sprężarki. Zacząć od oczekania około 30 minut. Sprawdzić, czy na węzownikach chłodzących / lamelach za filtrem nie tworzy się gruba warstwa lodu.
Wysoki poziom hałasu/uderzenia	<ul style="list-style-type: none"> Zwiększyć odległość pomiędzy osuszaczem a otaczającymi go powierzchniami. Węzownice chłodzące mogą stykać się ze sobą i powodować drgania. Odłączyć osuszacz od gniazdka elektrycznego i rozdzielić pętle.
Brak odbioru wody kondensacyjnej	<ul style="list-style-type: none"> Sprawdzić, czy na tacy ociekowej pod węzownikami chłodzącymi nie osadzają się zanieczyszczenia itp. i w razie potrzeby wyczyścić ją. Sprawdzić, czy temperatura jest wyższa niż 2°C lub niższa niż 35°C.
Nie wyłącza się, gdy zbiornik na wodę jest pełny.	<ul style="list-style-type: none"> Ważne jest, aby pływak wisiał swobodnie w zbiorniku wody. W przeciwnym razie może nie wyczuć, gdzie jest poziom wody, co spowoduje zatrzymanie osuszacza.
Kod błędu E2	<ul style="list-style-type: none"> Jeśli na wyświetlaczu pojawi się E2, czujnik wilgotności może być uszkodzony. Należy spróbować odłączyć przewód zasilający, odczekać 10 sekund, a następnie podłączyć go ponownie. Jeżeli kod błędu nadal występuje, należy skontaktować się z dealerem.

Jeśli masz problem z osuszaczem, zapoznaj się z przewodnikiem rozwiązywania problemów. Jeśli żaden z powyższych sposobów nie zadziała, należy skontaktować się ze dealerem w celu dokonania przeglądu osuszacza.

FIRMA WOOD'S JEST JEDNYM Z WIODĄCYCH NA ŚWIECIE PRODUCENTÓW OSUSZACZY

Wood's od wielu lat jest znany jako lider na rynku osuszania powietrza. Nasze wydajne osuszacze oferują niskie zużycie energii i są odpowiednie do stosowania w najbardziej wymagających klimatach, gdzie osuszanie jest konieczne nawet przy niższych temperaturach i poziomach wilgotności.

Nasze osuszacze zapewniają optymalne wyniki w miejscach, które są wilgotne, takich jak piwnice, garaże, domy letniskowe, pralnie, przestrzenie szczelinowe i kryte baseny. Dodatkową zaletą jest ich zdolność do efektywnego suszenia ubrań i tekstyliów bez ich zużywania.

Ilość wilgoci usuwanej przez osuszacz zależy od temperatury, poziomu wilgotności i umiejscowienia. Pogoda na zewnątrz również ma wpływ na wydajność osuszacza. W zimne dni względna wilgotność powietrza w pomieszczeniach spada, zmniejszając tym samym zdolność osuszacza do pochłaniania wilgoci z powietrza. Dlatego osuszacz jest przystosowany do pracy w zakresie temperatur od +2°C do +35°C. Osuszacze Wood's są bezpieczne i zaprojektowane do ciągłej pracy przez wiele lat.

NADMIERNA WILGOTNOŚĆ POWIETRZA – ZAGROŻENIE

Kondensacja występuje, gdy para wodna w powietrzu wchodzi w kontakt z zimną powierzchnią, taką jak sufit, okno lub ściana. Gdy para wodna ulega ochłodzeniu następuje kondensacja, w wyniku której powstają kropelki wody. Przy wysokiej wilgotności powietrza może pojawić się nieświeże powietrze i pleśń, która niszczy dom i jego wnętrze. Takie środowisko może również prowadzić do chorób mieszkańców, ponieważ w wilgotnym środowisku rozwijają się m.in. roztocza. Osuszacz o wysokiej wydajności zapewni optymalny i zdrowy poziom wilgotności. Aby osiągnąć najlepszy efekt, drzwi i okna pomieszczeń, które mają być osuszane, powinny być zamknięte. Osuszacz usuwa nieprzyjemne zapachy, suszy drewno i usuwa wilgoć ze sprzętu sportowego przeznaczonego do użytku na zewnątrz itp. Osuszacz powietrza może być stosowany w piwnicach, pralniach, garażach, przyczepach kempingowych, domkach letniskowych i na łodziach. Jeśli osuszacz jest używany w chłodniejszych środowiskach, należy zapoznać się ze wskazówkami zawartymi na końcu instrukcji obsługi.

UWAGA!

Przy używaniu osuszacza w łazience należy ustawić go w jednym stałym miejscu i nie przenosić go. Przed użyciem należy sprawdzić i przestrzegać lokalnych przepisów dotyczących używania sprzętu elektrycznego w łazienkach.

STOSOWANIE OSUSZACZY WOOD'S

Jeśli osuszacz transportowany jest w pozycji poziomej, przed użyciem należy pozostawić go na 4 godziny w pozycji pionowej. Bardzo ważne jest, aby olej spływał z powrotem do sprężarki, ponieważ w przeciwnym razie osuszacz może ulec poważnemu uszkodzeniu. Osuszacze Wood's są łatwe do przemieszczania, gdy są wyposażone w kółka. Wszystko, co jest wymagane, to bliskość gniazdka elektrycznego dla 220-240 V, ale należy pamiętać o następujących kwestiach:

Osuszacz nie powinien być umieszczony w pobliżu grzejników lub innych źródeł ciepła i nie powinien być wystawiony na bezpośrednie działanie promieni słonecznych, ponieważ obniża to jego wydajność.

- Aby utrzymać w pomieszczeniu temperaturę powyżej +2°C, można użyć grzejnika lub dmuchawy do ogrzewania.
- Osuszacz powinien być umieszczony w odległości co najmniej 25 cm od ścian i innych przeszkód, aby zapewnić maksymalny przepływ powietrza.
- Idealnie jest umieszczenie osuszacza tak centralnie w pomieszczeniu/obszarze, jak to tylko możliwe.

1. Należy sprawdzić, czy zbiornik na wodę jest prawidłowo umieszczony.
2. Podłączyć osuszacz do uziemionego gniazdka elektrycznego.
3. Wybrać żądany program wilgotności lub poziom wilgotności za pomocą panelu sterowania. Patrz rozdział z opisem tej funkcji.

UWAGA!

Gdy osuszacz się wyłączy, trwa 5 minut zanim zostanie ponownie uruchomiony.

PŁYWAK

Pływak składa się z białego plastikowego cylindra zawieszono na dwóch linkach zwisających na dwóch ramionach. Pływak jest wyporny i kiedy poziom wody się podnosi, pływak jest podnoszony do góry. Gdy pływak osiągnie określoną wysokość, osuszacz rozpoznaje to i wyłącza się automatycznie, aby zapobiec zalaniu. Po opróżnieniu zbiornika na wodę należy go umieścić z powrotem na swoim miejscu w następujący sposób:

OPRÓŻNIANIE POJEMNIKÓW NA WODĘ

1. Gdy zbiornik na wodę jest pełny, należy wyciągnąć go delikatnie na zewnątrz i opróżnić do odpływu.
2. Wsunąć pojemnik z wodą z powrotem do środka, aż dotknie pływaka.
3. Podnieść dolną krawędź zbiornika na wodę, aby lekko pochylić zbiornik na wodę.

4. Zbiornik na wodę należy wsunąć jako ostatni. Pływak powinien teraz trafić do zbiornika wody, a nie być za nim zaciśnięty.

UWAGA!

Ważne jest, aby pływak zwiisał swobodnie, ponieważ jego zadaniem jest wykrywanie poziomu wody w zbiorniku i zapewnienie, że osuszacz wyłączy się, gdy poziom jest wysoki. Nieprawidłowo ustawiony pływak może spowodować przepełnienie zbiornika wody.

SPUSZCZANIE WODY DO KANALIZACJI

1. Odłączyć osuszacz od gniazdka elektrycznego i wyjąć zbiornik na wodę, aby uzyskać dostęp do połączenia gwintowanego pod tacą ociekową.
2. Zamocować złączkę do węża na złączce gwintowanej i poprowadzić wąż do odpływu. Upewnić się, że wąż jest umieszczony niżej niż taca ociekowa.
3. Włożyć wtyczkę osuszacza do gniazdka.
4. Bez węża i bezpośrednio nad odpływem: Umieścić osuszacz bezpośrednio nad odpływem tak, aby skroplona woda mogła ściekać przez otwór w dnie osuszacza bezpośrednio do odpływu.

AUTOMATYCZNE WYŁĄCZANIE

Gdy zbiornik na wodę jest pełny, osuszacz wyłącza się automatycznie, sygnalizując konieczność opróżnienia zbiornika na wodę przed ponownym użyciem osuszacza. Patrz opis funkcji.

1. Odłączyć osuszacz od gniazdka elektrycznego.
2. Opróżnić zbiornik na wodę.
3. Wymienić opróżniony zbiornik na wodę i upewnić się, że pływak wisi swobodnie; patrz sekcja Pływak.
4. Podłączyć osuszacz do gniazdka elektrycznego. Osuszacz uruchamia się ponownie w takim samym trybie jak po odłączeniu.

FILTR POWIETRZA

Filtr powietrza znajdujący się z tyłu osuszacza chroni węzownice chłodzące przed zanieczyszczeniami. Ważne jest, aby filtr był czysty, tak aby powietrze mogło swobodnie przepływać przez osuszacz. Dlatego filtr powinien być wymieniany w razie potrzeby.

Osuszacz wyposażony jest w filtr SMF, który zwiększa wydajność osuszacza, ponieważ dodatkowo oczyszcza powietrze. Patrz instrukcje dotyczące wymiany filtra powietrza. Zalecamy co najmniej jedną wymianę filtra w ciągu roku. Aby postępować zgodnie z programem gwarancyjnym, zarejestruj swój osuszacz na stronie warranty-woods.com

SAMOCZYNNNE ODMRAŻANIE

Osuszacze Wood's są wyposażone w system kontroli zapewniający, że w razie potrzeby

wężownice chłodzące są rozmrażane. System sterowania wylacza sprężarkę, co powoduje zatrzymanie chłodzenia wężownic. Wentylator nadal zasysa powietrze o temperaturze pokojowej przez osuszacz i w ten sposób lód topi się, a woda spływa do zbiornika na wodę. Należy pamiętać, że ten system sterowania umożliwia pracę osuszacza przy temperaturze do + 2°C"

WENTYLATOR

Wentylator zapewnia przepływ powietrza przez osuszacz. Wilgotne powietrze jest zasysane od tyłu przez parownik i skraplacz i wypuszczane suche na górze osuszacza.

CZYSZCZENIE I KONSERWACJA

Osuszacze Wood's wymagają czyszczenia i wymiany filtrów, aby utrzymać ich wysoką wydajność osuszania.

- Wylot powietrza można odkurzyć lub wyczyścić szczotką. Należy zachować ostrożność, aby nie uszkodzić listew.
- Wężownice chłodzące najlepiej czyścić za pomocą szmatki i ciepłej wody. Należy zachować ostrożność.
- Silnik wentylatora posiada własne smarowanie i nie wymaga konserwacji.

UWAGA!

Przed przystąpieniem do czyszczenia należy odłączyć przewód zasilający od gniazdka elektrycznego.

WSKAZÓWKI

- W celu uzyskania maksymalnej wydajności osuszania w pomieszczeniu zaleca się zminimalizowanie dopływu powietrza z zewnątrz i z sąsiednich pomieszczeń - zamknąć drzwi i zawory. Jeśli to możliwe, należy umieścić osuszacz na środku pomieszczenia.
- Podnieść temperaturę w pomieszczeniu w celu szybszego osuszania. (Gorące powietrze może przenosić więcej wody). W przypadku spadku temperatury poniżej + 2°C należy zastosować zabezpieczenie przed zamrażaniem.
- Osuszacz pobiera więcej wody latem i jesienią, ponieważ powietrze na zewnątrz jest ciepłe i wilgotne. (Absolutna wilgotność jest zwykle wyższa).
- Zalecane warunki graniczne eksploatacji:
 - Temp. LD od + 2°C do + 35°C
 - Wilgotność względna: od 30% do 90%
 - Zalecany poziom wilgotności ok. 50% (wilgotność względna)

JEŻELI OSUSZACZ WYMAGA SERWISOWANIA

Jeśli osuszacz wymaga serwisowania, należy najpierw skontaktować się ze sprzedawcą. Do

składania wszystkich roszczeń gwarancyjnych wymagany jest dowód zakupu.

UWAGA!

Skorzystaj z 10-letniej gwarancji! Zarejestruj się na stronie warranty-woods.com. Wymieniaj filtr SMF co najmniej raz w roku. Więcej informacji znajduje się na stronie woods.se

GWARANCJE

Osuszacze objęte są dwuletnim okresem gwarancji. Należy pamiętać, że gwarancja jest ważna tylko po okazaniu dowodu zakupu.

WAŻNE!

Osuszacz Wood's powinien być podłączony do uziemionego gniazdka elektrycznego o napięciu 220V-240V 50Hz.

GWARANCJA

ABY UZYSKAĆ PRZEDŁUŻONĄ GWARANCJĘ, OD 2 DO 10 LAT, NALEŻY WYKONAĆ PONIŻSZE DZIAŁANIA.

1. Należy zarejestrować swój osuszacz po zakupie na stronie warranty-woods.com
2. Trzeba wymieniać filtr SMF w osuszaczu regularnie, co najmniej raz w roku. Jeśli chcesz, wyślemy Ci przypomnienie o konieczności wymiany filtra. Przypomnienie jest oczywiście bezpłatne. Filtry można znaleźć u lokalnego sprzedawcy lub dystrybutora. Należy odwiedzić strony internetowe woods.se, aby znaleźć najbliższego dystrybutora Wood's.

UWAGA!

Przy rejestracji osuszacza na stronie warrantywoods.com nie ma obowiązku zakupu filtrów

ZACHOWAJ SWOJE RACHUNKI!

Będą one wymagane w przypadku ewentualnych roszczeń gwarancyjnych dotyczących danego okresu.





INSTRUCȚIUNI DE UTILIZARE

Substanță inflamabilă. Acest dispozitiv conține R290/propan, un agent frigorific inflamabil.



Consultați manualul operatorului.



Citiți manualul tehnic



Citiți manualul operatorului.

INFORMAȚII PRIVIND SIGURANȚA

Înainte de instalarea și utilizarea dispozitivului, citiți cu atenție instrucțiunile furnizate. Producătorul nu va fi responsabil dacă instalarea și utilizarea incorectă va cauza vătămări și daune. Păstrați întotdeauna instrucțiunile împreună cu aparatul, pentru referință ulterioară.

SIGURANȚA COPIILOR ȘI A PERSOANELOR VULNERABILE

AVERTIZARE ⚠

Pericol de vătămare sau handicap permanent.

Acest aparat poate fi utilizat de copiii de cel puțin 8 ani și de persoanele cu capacități fizice, senzoriale sau mentale reduse ori lipsite de experiență și cunoștințe, cu condiția să fie supravegheate sau instruite cu privire la utilizarea aparatului în condiții de siguranță și să înțeleagă pericolele implicate. Nu lăsați copiii să se joace cu aparatul.

Feriți sau supravegheați permanent copiii sub 3 ani.

Nu lăsați ambalajele la îndemâna copiilor. Curățarea și întreținerea de către utilizator nu trebuie efectuate de copii nesupravegheați.

SIGURANȚĂ GENERALĂ

Acest aparat este destinat utilizării în mediu casnic și alte medii similare, cum ar fi: subsoluri, spații între planșeu și sol; bucătării din magazine, birouri și alte medii de lucru. În spatele cuvei de apă a dezumidicatorului este amplasată plăcuța indicatoare. Păstrați zonele de reflux/evacuare aer libere.

Nu utilizați dispozitive mecanice sau alte mijloace pentru accelerarea procesului de dezghețare, altele decât cele recomandate de producător. Dispozitivul nu trebuie depozitat într-o încăpere cu surse de aprindere care funcționează continuu

(flăcări deschise, dispozitiv cu gaz sau încălzitor electric etc.). Nu străpungeți aparatul și nu-i dați foc. Atenție: agenții frigorifici pot fi inodori. Nu folosiți pulverizare cu apă și aburi pentru a curăța dispozitivul. Curățați dispozitivul cu o cârpă moale umedă. Utilizați numai detergenți neutri. Nu folosiți produse abrazive, lavete abrazive, solvenți sau obiecte metalice. Dacă se deteriorează, cablul de alimentare trebuie înlocuit de către producător, centrul de service autorizat sau persoane calificate în mod similar, pentru a evita pericolul.

INSTRUCȚIUNI DE SIGURANȚĂ

AVERTIZARE ⚠

Acest aparat trebuie să fie instalat numai de o persoană calificată.

Îndepărtați toate materialele de ambalare. Nu instalați și nu folosiți aparatul dacă este deteriorat. Dispozitivul trebuie să fie instalat, exploatat și depozitat într-o încăpere cu o suprafață utilă mai mare decât 4 m². Respectați cu strictețe instrucțiunile de instalare furnizate cu aparatul. Aveți întotdeauna grijă atunci când mutați dispozitivul, deoarece acesta este greu. Purtați întotdeauna mănuși de protecție.

Asigurați-vă că aerul circulă liber în jurul aparatului. Așteptați cel puțin 4 ore înainte de a conecta dispozitivul la priză. Acest lucru permite revenirea uleiului în compresor. Nu instalați dispozitivul în apropierea radiatoarelor sau a altor surse de căldură. Nu instalați aparatul în bătaia directă a razelor soarelui.

CONEXIUNE ELECTRICĂ

AVERTIZARE ⚠

Pericol de incendiu și de electrocutare.

Aparatul trebuie să fie conectat la o priză cu împământare. Asigurați-vă că sursa de curent respectă specificațiile electrice de pe plăcuța indicatoare. În caz contrar, contactați un electrician. Utilizați întotdeauna o priză rezistentă împotriva șocurilor instalată corect. Nu utilizați adaptoare pentru multi-ștechere și cabluri prelungitoare. Asigurați-vă că nu deteriorați componentele electrice (de ex. ștecher, cablu de alimentare). Contactați centrul de service autorizat sau un electrician pentru a schimba componentele electrice. Cablul de alimentare trebuie să fie sub nivelul ștecherului. Conectați ștecherul la priza

electrică numai la sfârșitul instalării. Asigurați-vă că există acces la ștecher după instalare. Nu trageți cablul de alimentare pentru a deconecta dispozitivul. Cablul de alimentare se deconectează întotdeauna ținând ștecherul.

UTILIZARE

AVERTIZARE ⚠

Pericol de vătămare, arsuri, electrocutare sau incendiu.

Nu modificați caracteristicile tehnice ale acestui dispozitiv. Aveți grijă să nu provocați deteriorarea circuitului de agent frigorific. Acesta conține propan (R290), un gaz natural cu un nivel ridicat de compatibilitate cu mediul. Acest gaz este inflamabil. Dacă s-a deteriorat circuitul de agent frigorific, asigurați-vă că în încăpere nu sunt flăcări și surse de aprindere. Ventilați încăperea. Nu plasați produse inflamabile sau obiecte umezite cu produse inflamabile lângă dispozitiv sau pe acesta.

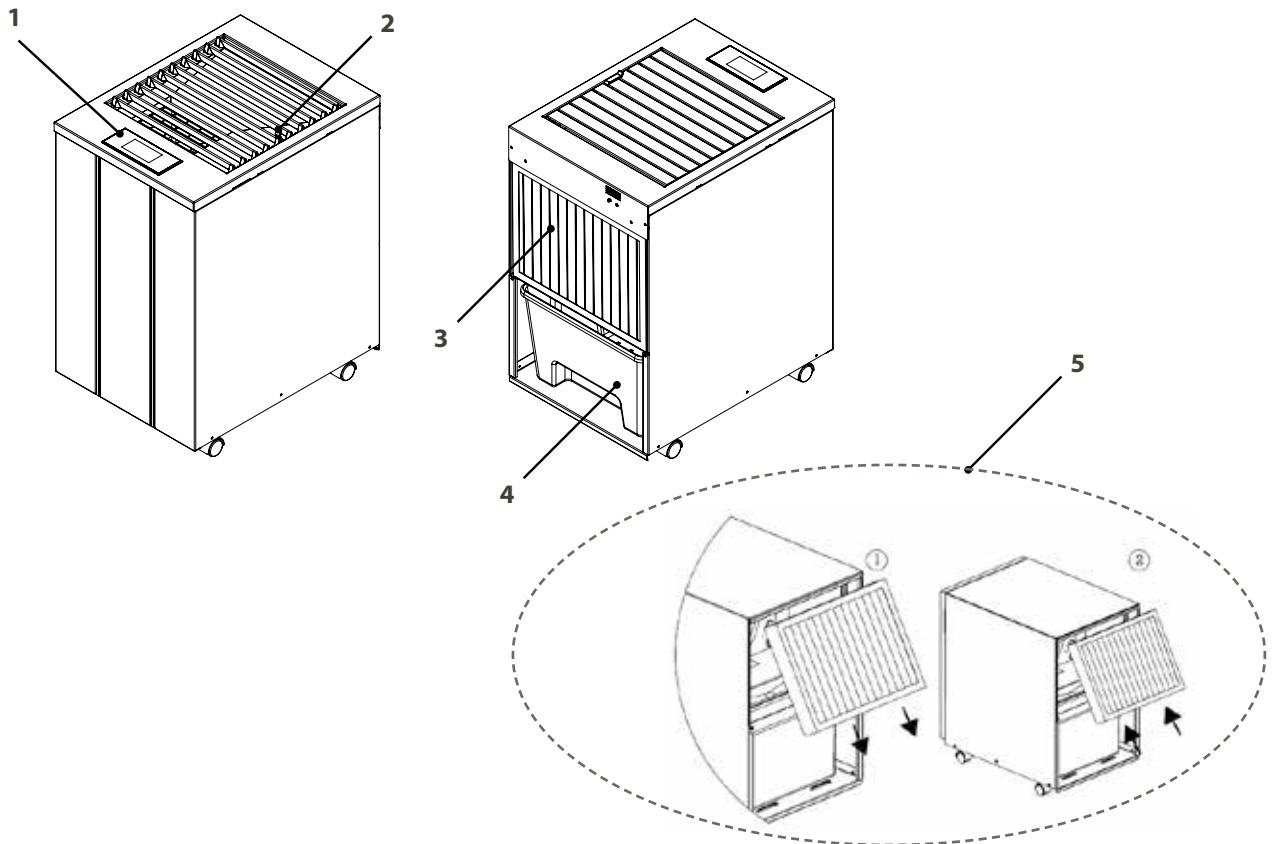
ELIMINARE

AVERTIZARE ⚠

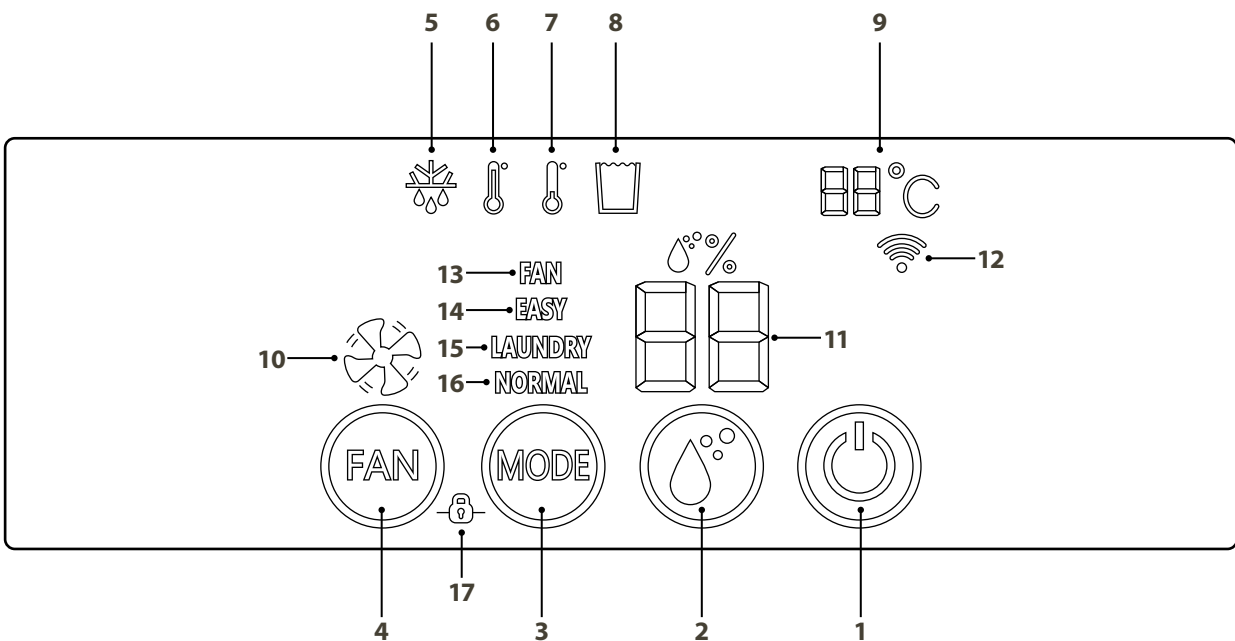
Pericol de vătămare.

Deconectați aparatul de la rețeaua electrică. Tăiați cablul de alimentare și aruncați-l. Circuitul de agent frigorific al acestui dispozitiv este prietenos cu stratul de ozon. Contactați autoritatea locală pentru a obține informații despre dezafectarea corectă a dispozitivului. Aveți grijă să nu deteriorați partea unității de răcire aflată în apropierea schimbătorului de căldură.

A.



B.



DESCRIEREA PRODUSULUI

A.

1. Panou de comandă
2. Mișcați pârghia pentru a deschide/închide/ orienta fluxul de aer
3. Filtru de aer
4. Rezervor de apă
5. Schimbarea filtrului de aer

B.

PANOU DE COMANDĂ - DESCRIEREA FUNCȚIONĂRII

Dezumidificatoarele din seria LD sunt prevăzute cu un panou de comandă intuitiv, pentru utilizare simplă și confortabilă. Rețineți că panoul de comandă trece în modul de consum redus la 20 de secunde după conectarea la rețeaua electrică sau după ultima operație de introducere. Se reactivează prin atingerea zonei cu tastele funcționale. Toate apăsările de taste se confirmă cu un bip.

TASTELE FUNCȚIONALE

1. PORNIRE/OPRIRE - Pornește, respectiv oprește dezumidificatorul. În modul oprit consumul de energie este de 0,5 W.
2. Setarea umidității dorite - Activă doar în modurile program „Normal” și „Ventilator”. Umiditatea dorită se poate seta între 35% și 75%, în trepte de 1%. Valoarea setată se afișează întâi continuu, apoi intermitent, după care reapare valoarea efectivă.
3. Selectare de mod - Selectarea programului de funcționare, consultați punctele 13-16 de mai jos.
4. Viteză ventilator - În modurile „Normal” și „Ventilator” ventilatorul poate fi reglat la viteză mare sau mică. Trecerea de la o viteză la alta are loc cu o întârziere de câteva secunde.

ALARME/INFORMAȚII

5. Dezghețare - Dacă este cazul, circuitul de răcire se dezgheată automat: compresorul este oprit, rămâne pornit doar ventilatorul. Simbolul se stinge la repornirea procesului de dezumidificare.
6. Temperatură ambiantă prea mare – Dacă temperatura ambiantă depășește 35 °C, procesul de dezumidificare de oprește și se reia automat atunci când temperatura scade din nou sub 35 °C. Simbolul rămâne aprins cât timp temperatura este 35 °C sau mai mare.
7. Temperatură ambiantă prea mică – Dacă temperatura ambiantă scade sub 2 °C, procesul de dezumidificare de oprește și se reia automat atunci când temperatura depășește din nou 2 °C. Simbolul rămâne aprins cât timp temperatura este 2 °C sau mai mică.
8. Rezervorul de condens este plin – La umplerea rezervorului se emite un semnal sonor de 20 de secunde. De asemenea, se aprinde simbolul. După golirea rezervorului de apă și montarea la loc a acestuia, programul se resetează automat. Aveți grijă ca plutitorul să atârne liber în rezervor.
9. Temperatura în încăpere - Afișează temperatura ambiantă detectată.
10. Viteza ventilatorului - Ventilator cu liniuțe indică viteză mare, doar ventilator indică viteză mică.
11. Umiditate relativă - Indică valoarea curentă și cea dorită. Cea dorită este cea stabilită prin setarea de valoare țintă.
12. WiFi - Indică existența unei conexiuni WiFi. Valabil numai pentru modelele care sunt prevăzute cu această funcție.

MODURI DE FUNCȚIONARE

13. Modul ventilator - Se folosește pentru asigurarea circulației neîntrerupte a aerului. Puteți seta valorile dorite ale vitezei ventilatorului și umidității. Când se atinge valoarea țintă setată, se oprește doar compresorul. Acesta repornește în cazul în care crește umiditatea.
14. Modul confort (EASY) - Dezumidificatorul încarcă să ajungă la o umiditate relativă de 50%, cu ventilatorul setat la viteză mică. La atingerea valorii țintă, compresorul și ventilatorul se opresc. Acestea repornesc dacă umiditatea crește peste 50%.
15. Modul uscare rufe (LAUNDRY) - Procesul de dezumidificare se desfășoară cu ventilatorul la viteză mare, până când aparatul este oprit manual sau este trecut în alt mod.
16. Modul normal (NORMAL) – Se folosește pentru a seta manual valorile țintă ale umidității și vitezei de ventilator. La atingerea valorii țintă setate, compresorul și ventilatorul se opresc. Acestea repornesc dacă umiditatea crește peste valoarea respectivă.
17. Funcție de blocare - Se folosește pentru împiedicarea modificării accidentale a setărilor. Funcția de blocare se activează acționând simultan tastele FAN (Ventilator) și MODE (Mod), timp de 3 secunde. Dezactivarea funcției se face prin același procedeu.

DATE TEHNICE	LD40	LD44	LD48PRO+
Zonă max. de lucru	100 m ²	140 m ²	180 m ²
Debit de aer treapta 1	200 m ³ /h	160 m ³ /h	160 m ³ /h
Debit de aer treapta 2	350 m ³ /h	300 m ³ /h	300 m ³ /h
Dezumidificare la 20 °C și umiditate relativă de 70%	7,5 l / 24 h	11 l / 24 h	16 l / 24 h
Dezumidificare la 30 °C și umiditate relativă de 80%	13 l / 24 h	19 l / 24 h	31 l / 24 h
Putere la 20 °C și umiditate relativă de 70%	180 W	285 W	450 W
Consum de energie la 20 °C și umiditate relativă de 70%	4,3 kWh/24 h	8 kWh/24 h	9,1 kWh/24 h
Volumul rezervorului	11 l	11 l	11 l
Agent frigorific	R290	R290	R290
Schimbare de agent frigorific	99 g	115 g	130 g
Tensiune	230 V	230 V	230 V
Frecvență	50 Hz	50 Hz	50 Hz
Siguranță	10 A	10 A	10 A
Clasă IP	X1	X1	X1
Dimensiuni (L x l x I)	460 x 345 x 575 mm	460 x 345 x 575 mm	460 x 345 x 575 mm

*Pot apărea modificări și îmbunătățiri tehnice. Toate valorile sunt aproximative și pot varia în funcție de circumstanțe exterioare, cum ar fi temperatura, ventilația și umiditatea.

PROBLEMĂ

SOLUȚIE

Dezumidicatorul nu pornește	<ul style="list-style-type: none"> Asigurați-vă că este conectat la priză și că siguranța nu este arsă. Când indicatorul luminos este aprins, verificați dacă rezervorul de apă este gol și așezat corect în dezumidicator. Asigurați-vă că plutitorul atârână liber. Verificați dacă valoarea umidității se afișează pe panoul de comandă: „treziți” panoul. Dacă valoarea este mai mare decât cea setată, dezumidicatorul trebuie să pornească în decurs de 5 minute. Deconectați cablul de alimentare, așteptați 10 secunde și reconectați-l.
Dezumidicatorul nu pornește	<ul style="list-style-type: none"> Asigurați-vă că ventilatorul se învârte. Asigurați-vă că aerul poate circula liber prin dezumidicator. Evacuările și filtrele de aer trebuie să fie curate, iar dezumidicatorul trebuie să fie la cel puțin 20-30 cm de perete. Ascultați zgomotul compresorului ca să vă dați seama dacă funcționează. Atenție: dezumidicatorul poate fi în ciclu de dezghețare, ceea ce presupune oprirea temporară a compresorului. Pentru început, așteptați aproximativ 30 de minute. Asigurați-vă că nu se formează un strat gros de gheață pe serpentinele/lamelele de răcire din spatele filtrului.
Nivel ridicat de zgomot/bătaie	<ul style="list-style-type: none"> Îndepărtați dezumidicatorul de suprafețele înconjurătoare. Serpentinele de răcire se pot atinge unele de altele, provocând vibrații. Deconectați dezumidicatorul de la priză și separați buclele.
Nu se adună apă de condens.	<ul style="list-style-type: none"> Asigurați-vă că nu s-a adunat murdărie în tava de colectare de sub serpentinele de răcire și curățați dacă este cazul. Asigurați-vă că temperatura depășește 2 °C și este sub 35 °C.
Nu se oprește la umplerea rezervorului de apă	<ul style="list-style-type: none"> Este important ca plutitorul să atârână liber în rezervorul de apă. Dacă nu atârână liber, este posibil să nu detecteze nivelul apei și să nu asigure oprirea dezumidicatorului.
Cod de eroare E2	<ul style="list-style-type: none"> Dacă pe afișaj apare E2, este posibil ca senzorul de umiditate să fie defect. Încercați să deconectați cablul de alimentare, să așteptați 10 secunde și să-l reconectați. În cazul în care codul de eroare persistă, contactați distribuitorul.

Dacă apar probleme cu dezumidicatorul, consultați ghidul de depanare. Dacă niciuna dintre măsurile de mai sus nu dă rezultate, contactați dealerul pentru o intervenție de service la dezumidicator.

WOOD'S, CELE MAI UTILIZATE DEZUMIDIFICATOARE DIN LUME

Compania Wood's este cunoscută de mulți ani drept liderul pieței de dezumidificatoare. Dezumidificatoarele noastre sunt eficiente, consumă puțin și sunt potrivite pentru utilizarea în cele mai exigente climate, unde este nevoie de dezumidificare chiar și la niveluri scăzute ale temperaturii și umidității.

Dezumidificatoarele noastre asigură rezultate optime în locuri care pot deveni umede, de exemplu, pivnițe, garaje, case de vacanță, spălătorii, spații tehnice și piscine interioare. Un avantaj suplimentar este capacitatea acestora de a usca haine și textile fără a le uza.

Cantitatea de umiditate pe care o îndepărtează dezumidificatorul depinde de temperatură, umiditate și amplasare. Și condițiile meteorologice afectează performanțele dezumidificatorului. Când vremea este rece, umiditatea din încăperea scade, ceea ce reduce capacitatea dezumidificatorului de a elimina umezeala din aer. De aceea, dezumidificatorul este potrivit pentru utilizare în intervalul de temperaturi cuprins între +2°C și +35°C. Dezumidificatoarele Wood's sunt sigure și pot funcționa continuu mulți ani.

UMIDITATEA EXCESIVĂ A AERULUI REPREZINTĂ UN PERICOL

Condensarea are loc atunci când vaporii de apă din aer intră în contact cu o suprafață rece, cum ar fi plafonul, o fereastră sau un perete rece. În urma răcirii vaporilor se produce condensarea: se formează picături de apă. Dacă umiditatea este mare, aerul poate deveni stătut și este posibil să apară igrasia, care deteriorează casa și interiorul acesteia. De asemenea, acest mediu poate provoca îmbolnăvirea locatarilor: acarienii prosperă în medii umede. Un dezumidificator cu performanțe ridicate creează un nivel de umiditate optim și sănătos. Pentru a obține optime, ușile și ferestrele spațiilor de dezumidificat trebuie închise. Dezumidificatorul elimină mirosurile neplăcute, usucă lemnul și elimină umezeala din echipamentele sportive utilizate în exterior etc. Dezumidificatorul poate fi amplasat în pivnițe, spălătorii, garaje, ambarcațiuni. Dacă dezumidificatorul este utilizat în medii mai reci, studiați cu atenție sfaturile de la sfârșitul instrucțiunilor de utilizare.

OBSERVAȚIE!

Când este introdus într-o zonă de duș sau de baie, dezumidificatorul trebuie fixat în poziție. Înainte de utilizare, este obligatoriu să verificați și să respectați reglementările electrice locale referitoare la băi.

UTILIZAREA DEZUMIDIFICATOARELOR WOOD'S

Dacă dezumidificatorul a fost transportat în poziție orizontală, țineți-l în poziție verticală timp de 4 ore înainte de a-l porni. Este foarte important ca uleiul să revină în compresor, ca dezumidificatorul să nu se deterioreze

grav. Dezumidificatoarele Wood's sunt ușor de deplasat dacă sunt dotate cu roți. Singura cerință este apropierea unei prize electrice de 220-240 V, dar rețineți și următoarele aspecte:

Dezumidificatorul nu trebuie plasat în apropierea radiatoarelor sau a altor surse de căldură, nici nu trebuie expus la lumina directă a soarelui, deoarece performanțele acestuia se vor degrada.

- Puteți folosi un radiator sau o aerotermă pentru a menține temperatura peste +2°C.
 - Dezumidificatorul trebuie amplasat la cel puțin 25 cm de pereți și alte obstacole, pentru a asigura debit de aer maxim.
 - Ideal este să amplasați dezumidificatorul cât mai aproape de mijlocul încăperii/zonei.
1. Verificați dacă rezervorul de apă este așezat corect.
 2. Conectați dezumidificatorul la o priză cu împământare.
 3. Alegeți programul sau nivelul de umiditate dorit, prin intermediul panoului de comandă. Citiți secțiunea cu descrierea funcției.

OBSERVAȚIE!

Dacă dezumidificatorul s-a oprit, nu repornește timp de 5 minute.

PLUTITORUL

Plutitorul este un cilindru din plastic alb, suspendat de două fire care atârnă de pe două brațe. Plutitorul este ridicat odată cu creșterea nivelului apei. Atunci când plutitorul ajunge la o anumită înălțime, dezumidificatorul detectează acest lucru și se oprește automat, pentru a preveni scurgerea apei. După golire, rezervorul de apă trebuie pus la loc după cum urmează:

GOLIREA REZERVOARELOR DE APĂ

1. Când se umple rezervorul de apă, trageți-l cu grijă spre exterior și vărsați apa în canalul de scurgere.
2. Împingeți înapoi rezervorul de apă, până când atinge plutitorul.
3. Ridicați marginea de jos a rezervorului de apă pentru a-l înclina ușor.
4. La sfârșit, împingeți rezervorul de apă în locaș. Plutitorul trebuie să fie în interiorul rezervorului, nu blocat în spatele acestuia.

OBSERVAȚIE!

Este important ca plutitorul să atârne liber, întrucât acesta trebuie să detecteze nivelul apei în rezervor și trebuie să asigure oprirea dezumidificatorului atunci când nivelul este prea ridicat. Un plutitor așezat incorect poate duce la ieșirea apei din rezervor.

DRENAREA APEI ÎN CANALUL DE SCURGERE

1. Deconectați dezumidificatorul de la rețeaua electrică și scoateți rezervorul de apă pentru a ajunge la racordul filetat de apă sub tava de colectare a apei.
2. Racordați furtunul la racordul filetat și duceți celălalt capăt la canalul de scurgere. Asigurați-vă că furtunul este mai jos decât tava de colectare.
3. Conectați dezumidificatorul la priza electrică.
4. Fără furtun, direct peste scurgere: Așezați dezumidificatorul direct deasupra canalului de scurgere astfel încât condensul să poată curge prin orificiul de la baza dezumidificatorului, direct în canalul de scurgere.

OPRIRE AUTOMATĂ

Când rezervorul de apă este plin, dezumidificatorul se oprește automat și semnalează faptul că rezervorul trebuie golit pentru a putea reporni dezumidificarea. Citiți descrierea funcției.

1. Deconectați dezumidificatorul de la priză.
2. Goliți rezervorul de apă.
3. Puneți la loc rezervorul golit și asigurați-vă că plutitorul atârnă liber, consultați secțiunea Plutitorul.
4. Conectați dezumidificatorul la priza electrică. Dezumidificatorul repornește, în modul în care era înainte de deconectare.

FILTRU DE AER

Filtrul de aer din spatele dezumidificatorului ferește de praf serpentinele de răcire. Este important ca filtrul să fie curat, astfel încât aerul să poată trece liber prin dezumidificator. De aceea, filtrul trebuie înlocuit în funcție de necesități.

Dezumidificatorul este dotat cu un filtru SMF, care îmbunătățește capacitatea de dezumidificare și, în același timp, purifică mai bine aerul. Consultați instrucțiunile de schimbare a filtrului de aer. Se recomandă ca filtrul să fie schimbat cel puțin o dată pe an. Pentru a beneficia de programul de garanție, înregistrați dezumidificatorul la adresa warranty-woods.com

DEZGHEȚARE AUTOMATĂ

Dezumidificatoarele Wood's sunt prevăzute cu un sistem de comandă care asigură dezghețarea serpentinei de răcire la nevoie. Sistemul de comandă oprește compresorul, ceea ce determină oprirea răcirii serpentinei. Ventilatorul continuă să tragă aer la temperatura camerei prin dezumidificator și astfel topește gheața, iar apa se scurge în rezervor. Rețineți: acest sistem de comandă permite funcționarea dezumidificatorului la temperaturi de până la +2°C.

VENTILATOR

Ventilatorul asigură circulația aerului prin dezumidificator. Aerul umed se trage din spate, prin evaporator și condensator. Aerul uscat este evacuat în partea de sus a dezumidicatorului.

CURĂȚARE ȘI ÎNTREȚINERE

Dezumidificatoarele Wood's își păstrează capacitatea ridicată numai dacă se fac lucrările de curățare și de schimbare a filtrului.

- Evacuarea de aer poate fi curățată cu aspiratorul sau cu peria. Curățați cu grijă, să nu deteriorați lamelele.
- Serpentinele de răcire se curăță cel mai bine cu o cârpă și apă caldă. Lucrați cu mare grijă.
- Motorul de ventilator este lubrifiat permanent și nu necesită întreținere.

OBSERVAȚIE!

Înainte de curățare deconectați cablul de alimentare de la priza electrică.

SUGESTII

- Pentru putere maximă de dezumidificare într-o încăpere, se recomandă să fie redusă la minimum alimentarea cu aer din exterior și din încăperile adiacente – închideți ușile și sistemul de ventilație. Dacă este posibil, așezați dezumidicatorul în mijlocul încăperii.
- Creșteți temperatura din încăpere pentru a accelera dezumidificarea. (Aerul cald poate ține mai multă apă.) Folosiți protecția împotriva înghețului dacă temperatura scade sub + 2 °C
- Dezumidicatorul extrage mai multă apă vara și toamna, pentru că aerul din exterior este cald și umed. (Umiditatea absolută este în mod normal mai mare).
- Limite recomandate pentru utilizare:
 - Temp. LD între +2°C și +35°C
 - Umiditate relativă: de la 30% până la 90%
 - Nivel recomandat de umiditate 50% RH

CÂND DEZUMIDIFICATORUL NECESITĂ SERVICE

Dacă dezumidicatorul necesită service, contactați întâi distribuitorul. Toate cererile în garanție trebuie să fie însoțite de dovada achiziției.

OBSERVAȚIE!

Cumpărați o garanție de 10 ani!
Înregistrați-vă la warranty-woods.com
Înlocuiți filtrul SMF cel puțin o dată pe an.
Pentru informații suplimentare, vizitați woods.se

GARANȚII

Garanție de 2 ani în caz de defecțiuni de fabricație. Rețineți: garanția este valabilă doar cu prezentarea dovezii de cumpărare.

IMPORTANT!

Dezumidicatorul Wood's trebuie conectat la o priză cu împământare, cu tensiune de 220 V - 240 V 50 Hz.

GARANȚIE

PENTRU A BENEFICIA DE GARANȚIA EXTINSĂ, DE LA 2 LA 10 ANI, URMAȚI PAȘII DE MAI JOS.

1. După cumpărare, înregistrați dezumidicatorul la warranty-woods.com
2. Înlocuiți regulat filtrul SMF, cel puțin o dată pe an. Dacă doriți, putem să vă trimitem o reamintire atunci când trebuie să schimbați filtrul. Reamintirea este, desigur, gratuită. Găsiți filtre la distribuitorul local. Accesați woods.se pentru a identifica cel mai apropiat distribuitor Wood's.

OBSERVAȚIE!

Înregistrarea dezumidicatorului la warranty-woods.com nu vă obligă să cumpărați filtre.

PĂSTRAȚI CHITANȚELE!

Acestea vor fi necesare la intervențiile în perioadele de garanție.



Wood's is marketed and distributed by:

Woods Production AB.

Maskingatan 2-4

441 27, Alingsås

Sweden.

woods.se

info@woods.se

+46 317613610

Wood's[®]