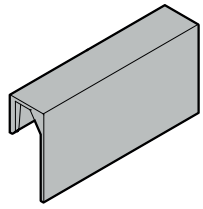


7085 507-00

EWTdf 1653 / 2353 / 3553



Scope of delivery

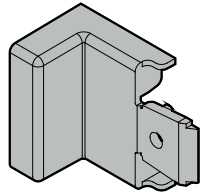


Labels

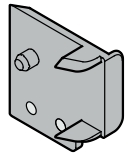
2 pc. - EWT 1653

4 pc. - EWT 2353

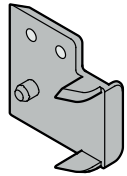
8 pc. - EWT 3553



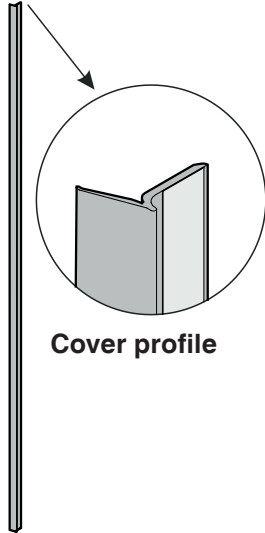
Cover



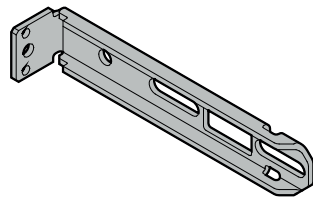
Spacer



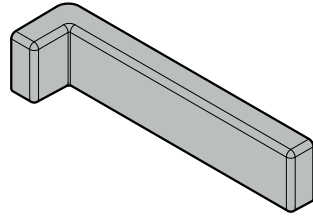
Spacer



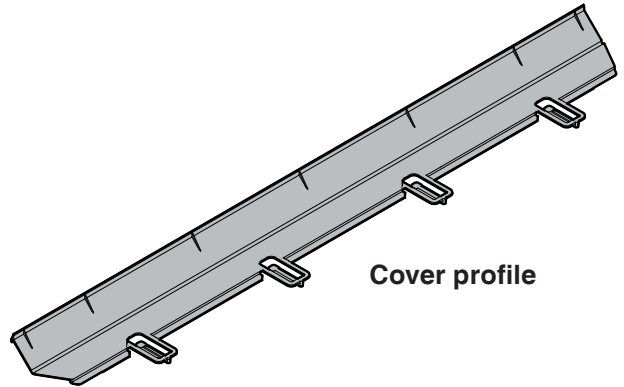
Cover profile



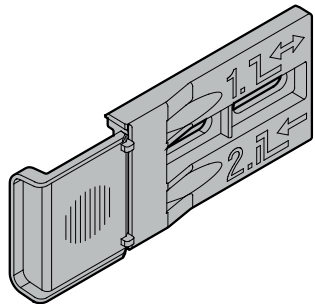
Attachment bracket



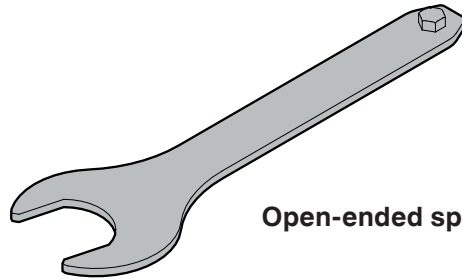
Cover



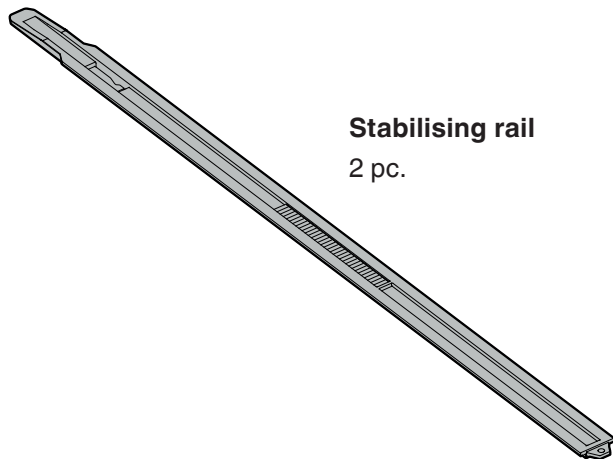
Cover profile



Attachment bracket

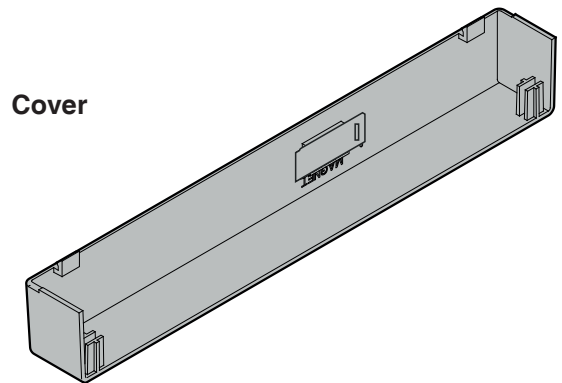


Open-ended spanner

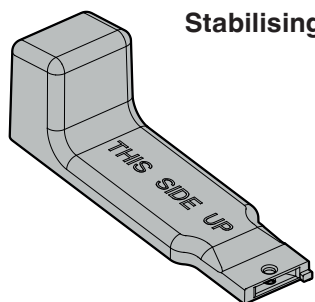


Stabilising rail

2 pc.



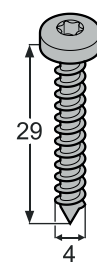
Cover



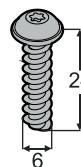
Stabilising rail handle



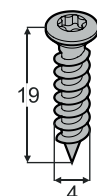
2 pc.



2 pc.



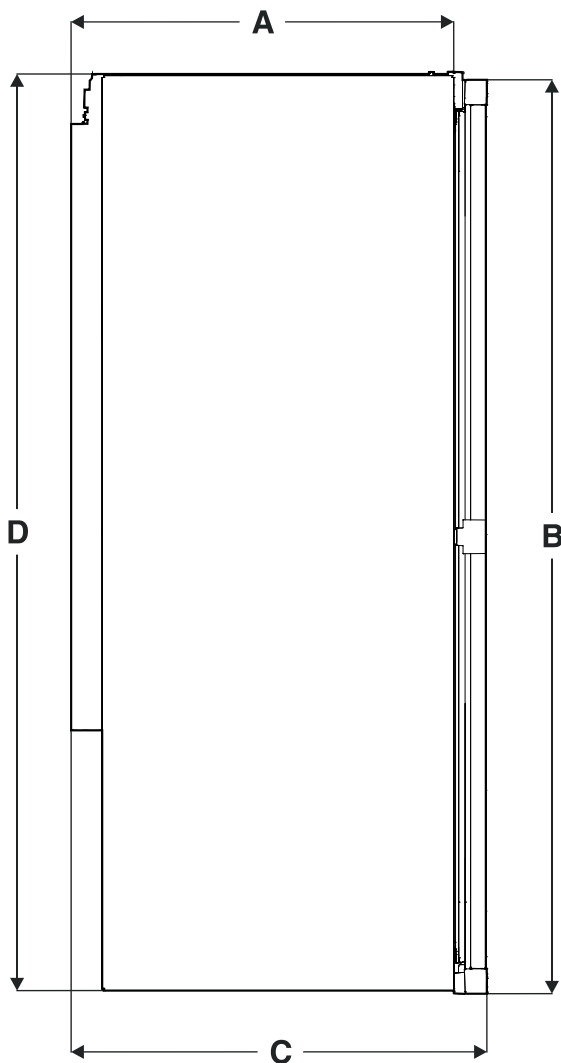
2 pc.



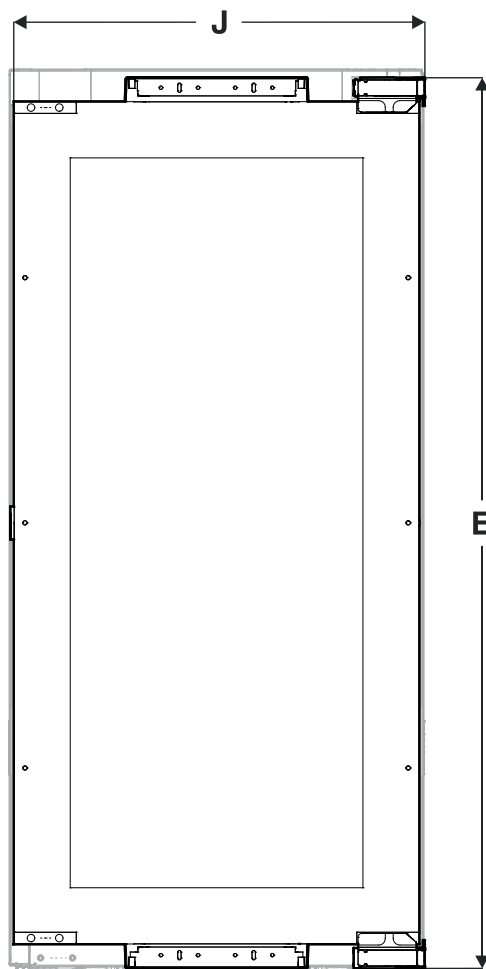
5 pc.

Appliance dimensions

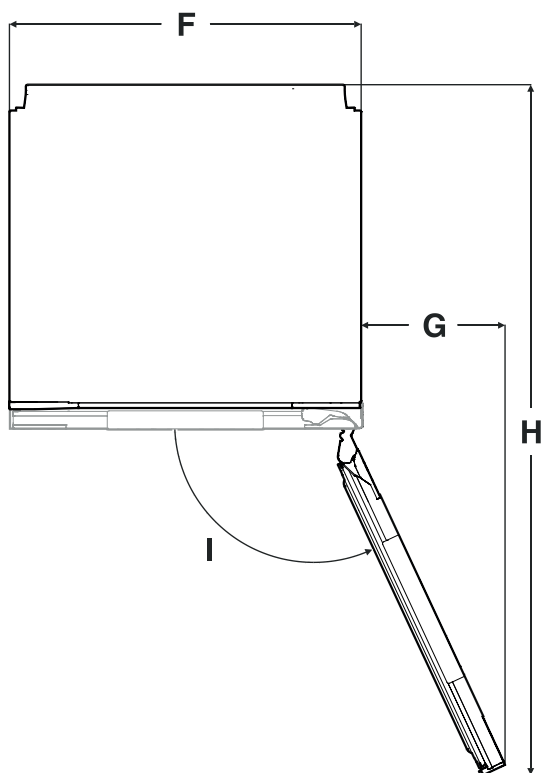
Side view



Front view



View from above



A	510 mm
B	EWT 16.. - 854 mm EWT 23.. - 1200 mm EWT 35.. - 1752 mm
C	553 mm
D	EWT 16.. - 872 mm EWT 23.. - 1218 mm EWT 35.. - 1770 mm
E	EWT 16.. - 853 mm EWT 23.. - 1199 mm EWT 35.. - 1751 mm
F	557 mm
G	228 mm
H	1100 mm
I	115°
J	546 mm

Transporting the appliance

⚠ CAUTION

Danger of injury or damage as a result of incorrect transport!

- Transport the appliance in a packed condition.
- Transport the appliance upright.
- Do not transport the appliance without assistance.

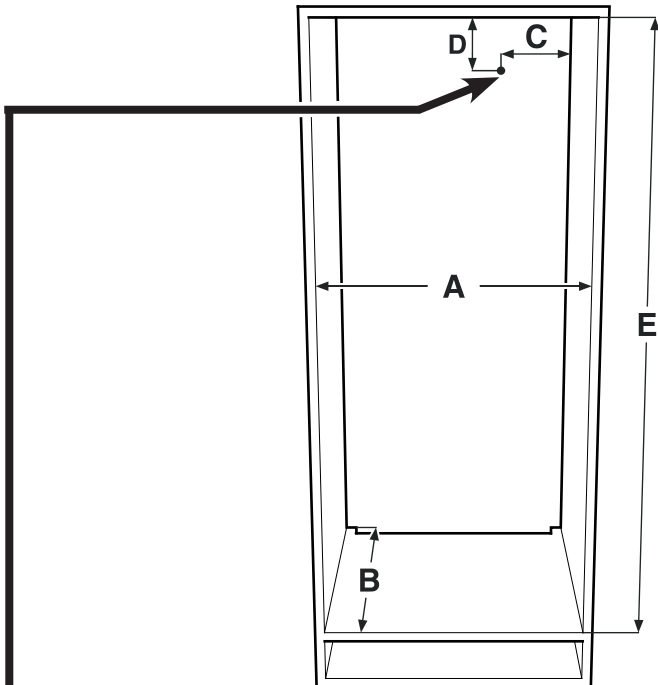
Installation dimensions

Important note

In order to avoid any problems when installing the appliance and to avoid damage to the appliance, the following conditions must be complied with.

The kitchen unit must be aligned horizontally and vertically!

Minimum wall thickness of the body of the unit = 16 mm.



A	560 mm - 570 mm
B	min. 550 mm (recommended 560 mm)
C	70 mm
D	30 mm
E	EWT 16.. - 874-890 mm EWT 23.. - 1220-1236 mm EWT 35.. - 1772-1788 mm

In this area, the mains power cable comes out of the appliance rear.

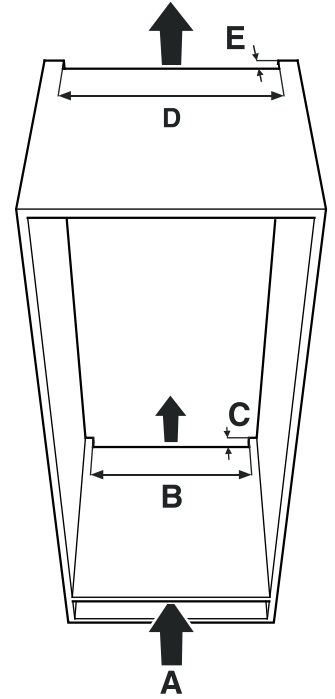
Free length of the mains power cable:

EWT 16...: 2000 mm
EWT 23...: 2000 mm
EWT 35...: 2800 mm

Choose the position of the socket considering these specifications.

The socket must not be situated behind the appliance and must be easily accessible.

Appliance venting



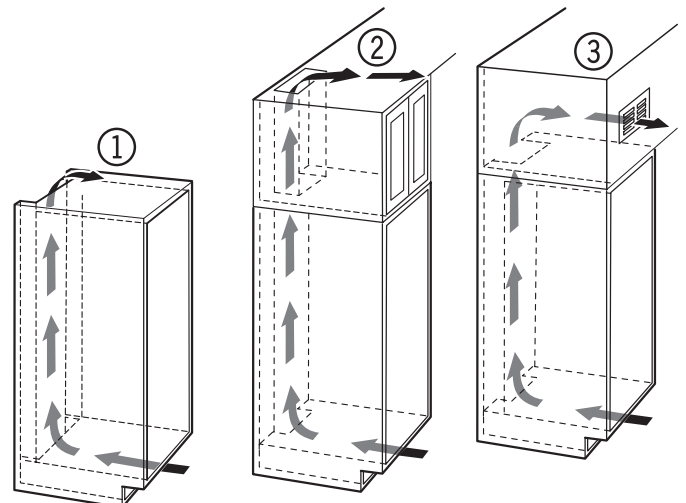
Important note

The clear ventilation cross-section must be at least 200 cm² from the lower ventilation opening right to the upper one.

A	min. 200 cm ³
B	min. 500 mm
C	min. 40 mm
D	min. 500 mm
E	min. 40 mm

Types of air outlet

- (1) Directly above the appliance
- (2) Above the top unit
- (3) From the front of the top unit with decor grille



Important note

When using decor grilles, it must be taken into account that the clear ventilation cross-section corresponds to the sum of the individual openings in the grille.

A cut-out section of merely 200 cm² for installing the ventilation grille is thus not sufficient.

Changing over door hinges

Door hinges should only be changed by a trained expert.

Changing the door hinges must be done by two people.

⚠ WARNING!

High door weight.

Danger of injury and damage to property.

Only complete the modification work if you can lift a weight of 20 kg.

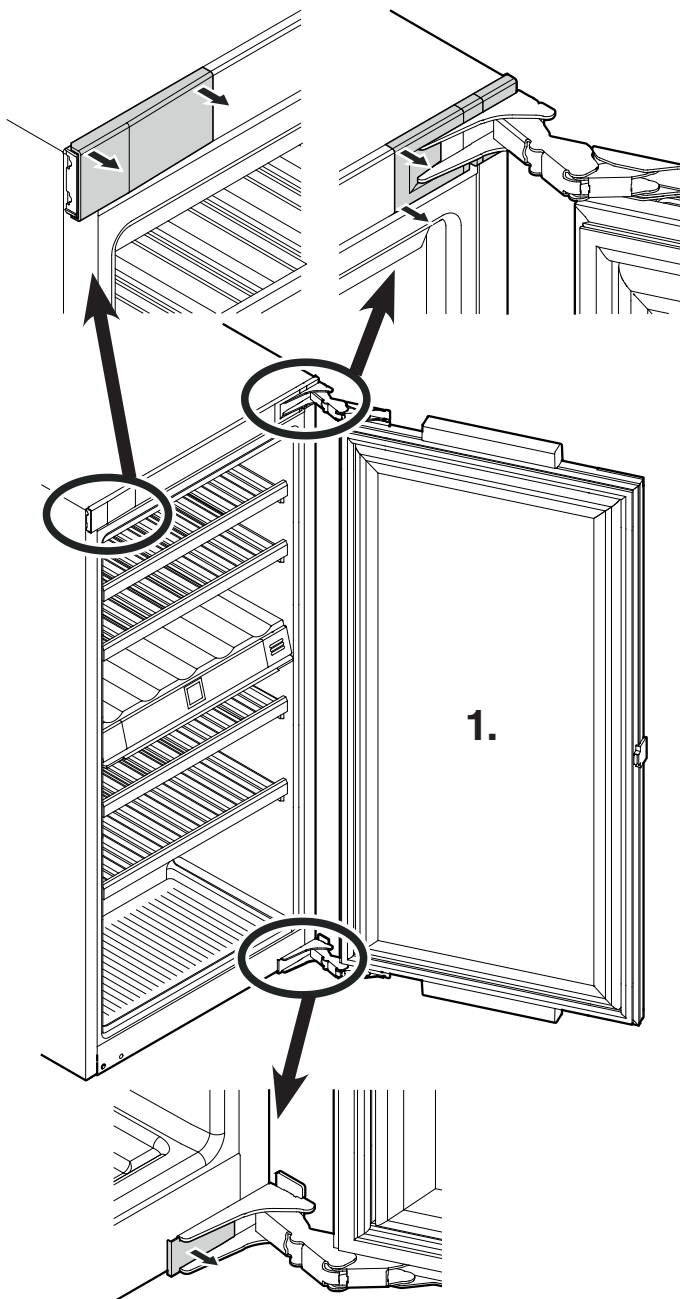
⚠ WARNING!

Risk of injury due to the door dropping out!

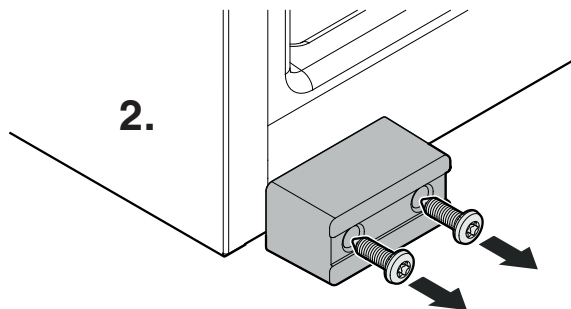
If the fastening parts are not screwed into place firmly enough, the door may drop out.

This may lead to severe injuries. What is more, the door may not close and therefore the appliance may fail to cool properly.

1. Remove covers.



2. Remove the transportation safety component.

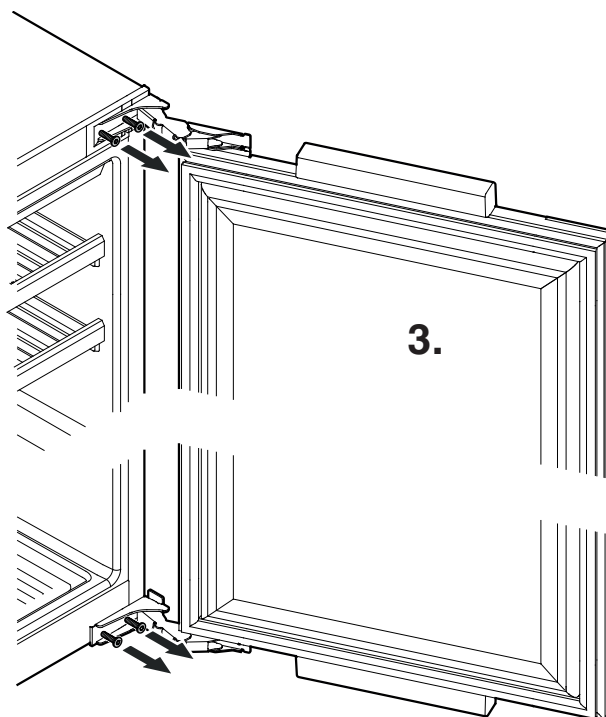


3. Remove the door. The door must now be held secure by somebody.

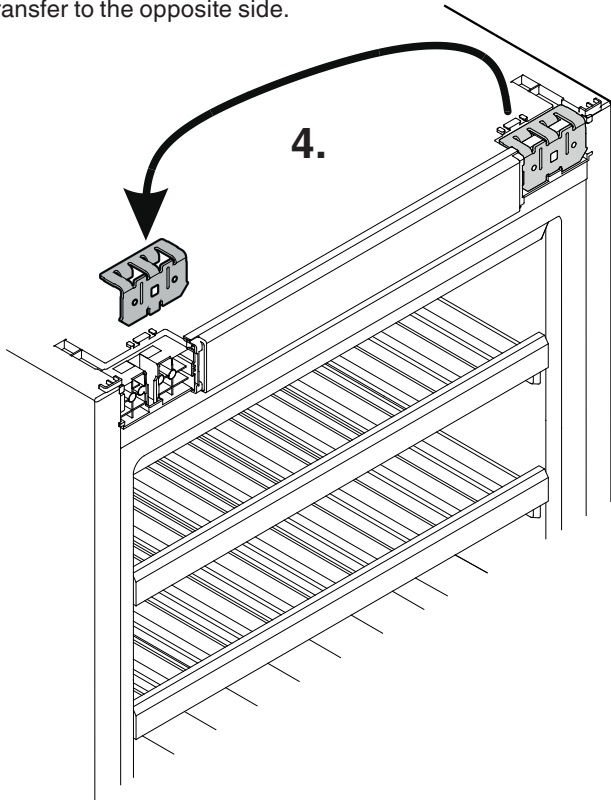
⚠ CAUTION

Risk of injury if hinges fold!

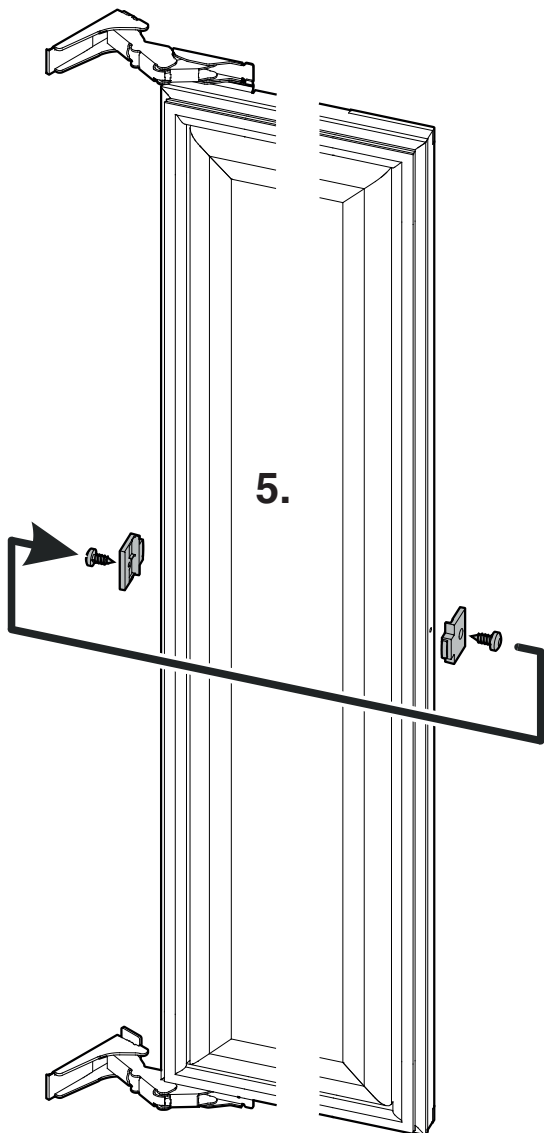
- Leave hinges open.



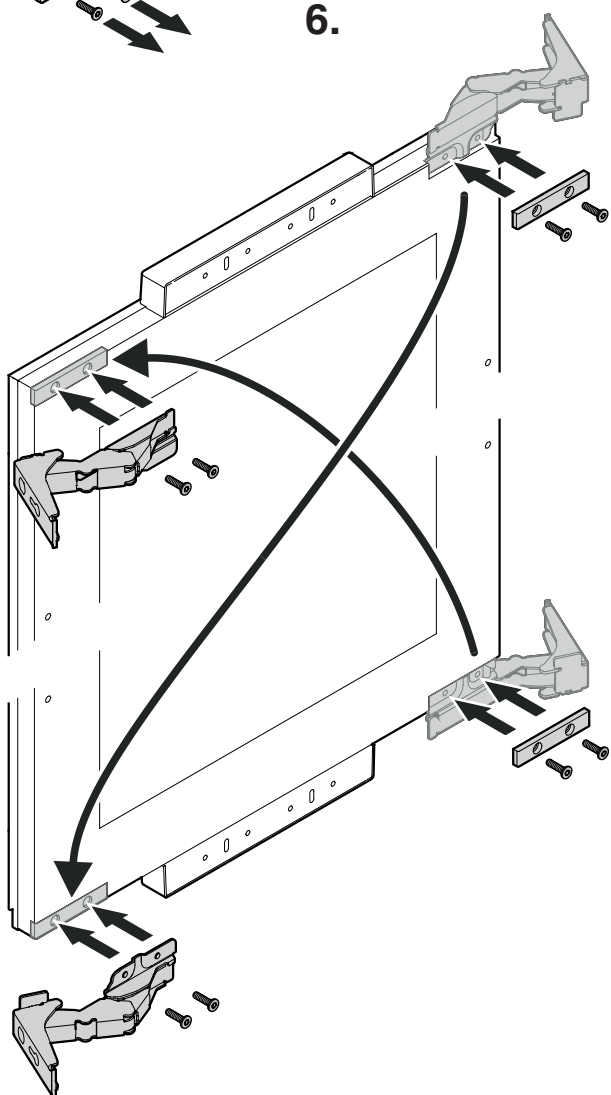
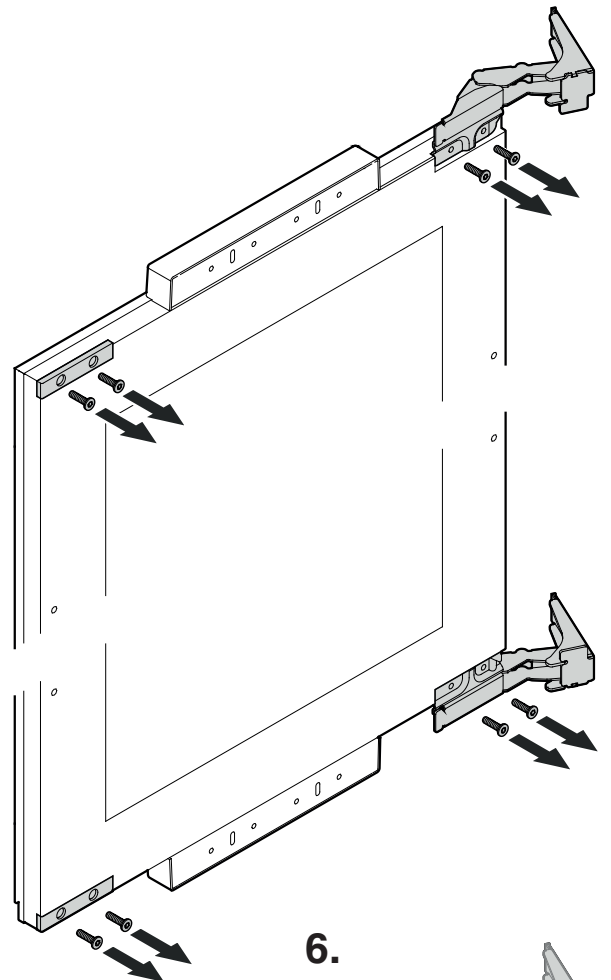
4. Remove the upper retaining bracket and transfer to the opposite side.



5. Transfer the stop to the opposite side.



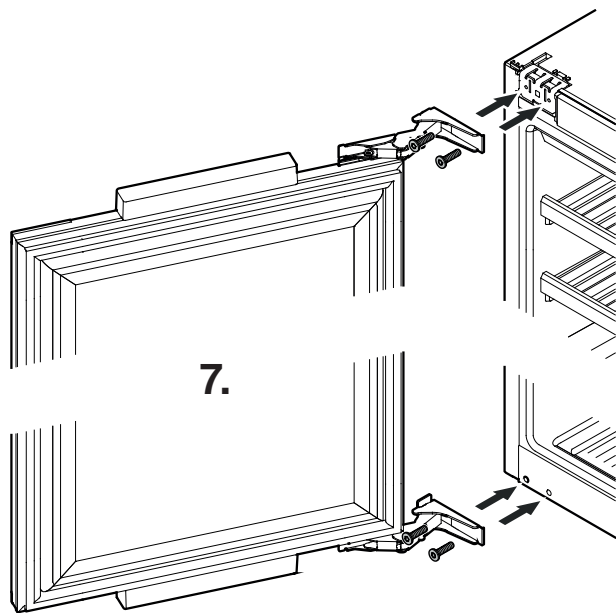
6. Unscrew hinges and covers and re-fit on the opposite side at diagonals to the original position.



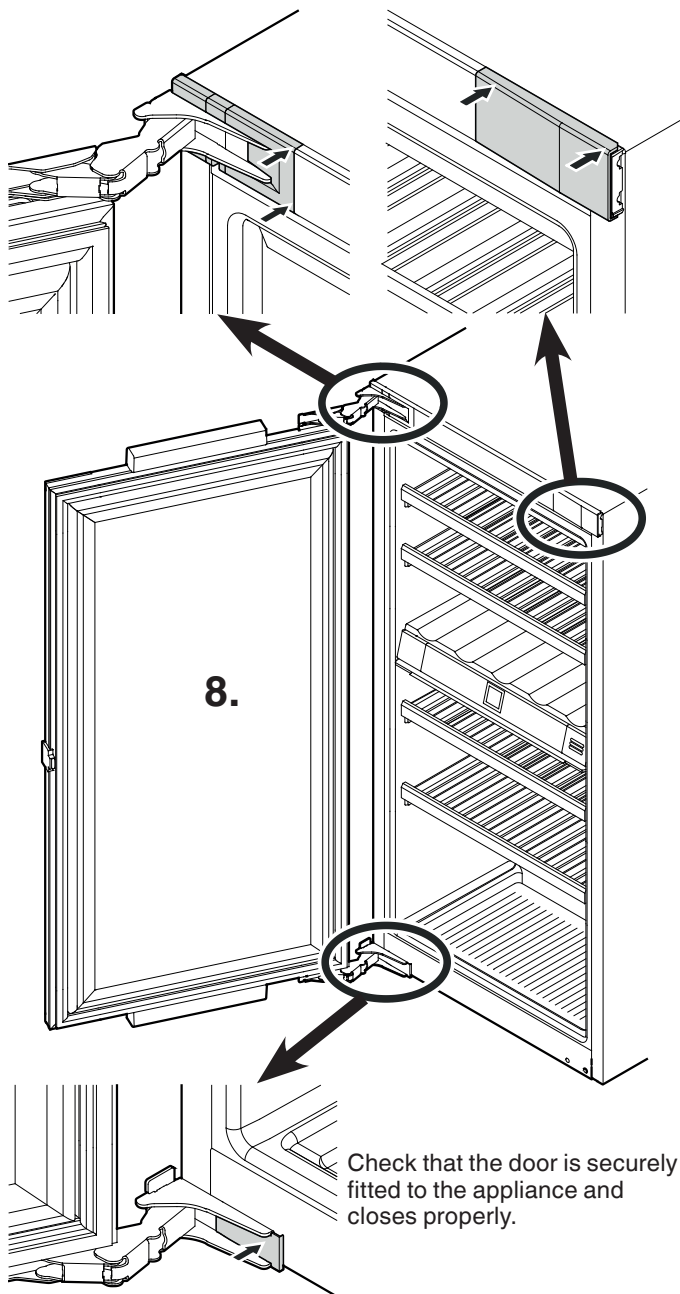
7. Fit the door on the appliance.

Notice

The door must now be held secure by somebody.



8. Fit covers and click into place.



Installing the appliance

The installation work should only be carried out by trained personnel. Two people are required for the installation work.

Note

Check the installation dimensions before installation. The intermediate panel and side wall of the kitchen unit must be perpendicular to each other.

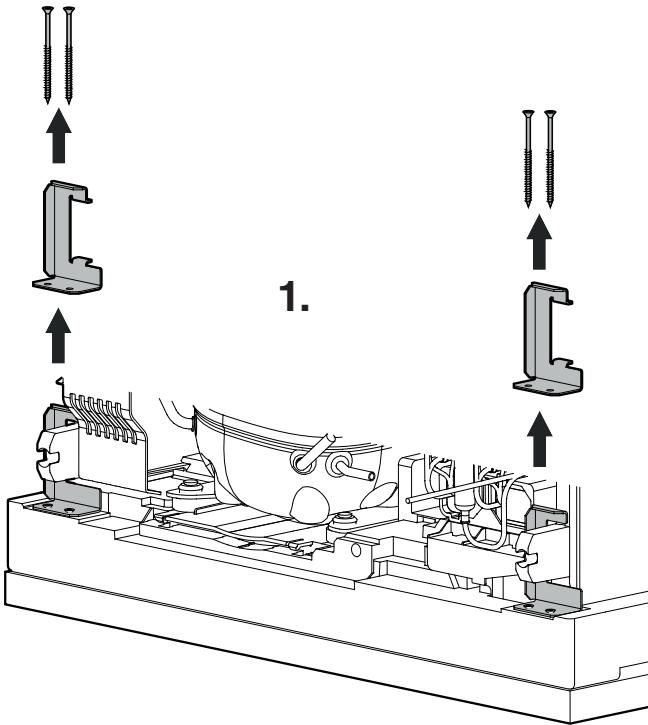
WARNING!

Fire hazard due to dampness!

If live parts or the mains power cable become damp this may cause short circuits.

- The appliance is designed for use in enclosed areas. Do not operate the appliance outdoors or in areas where it is exposed to splash water or damp conditions.
- Only use the appliance when it is installed.

1. EWT 3553 - Remove the transportation safety component.



2. Route the mains cable towards the socket.

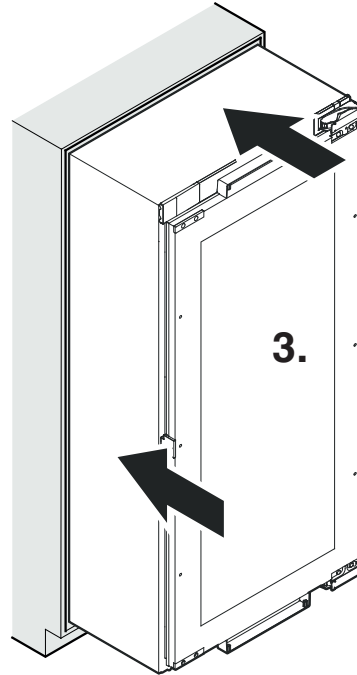


WARNING!

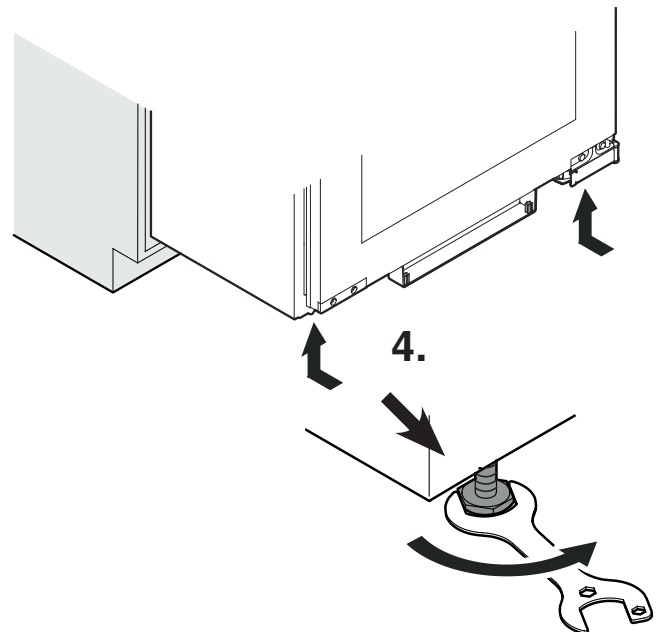
Fire hazard from short-circuiting!

- When pushing the appliance into the recess, take care not to crush, jam or damage the mains power cable.
- Do not operate the appliance with a defective mains power cable.

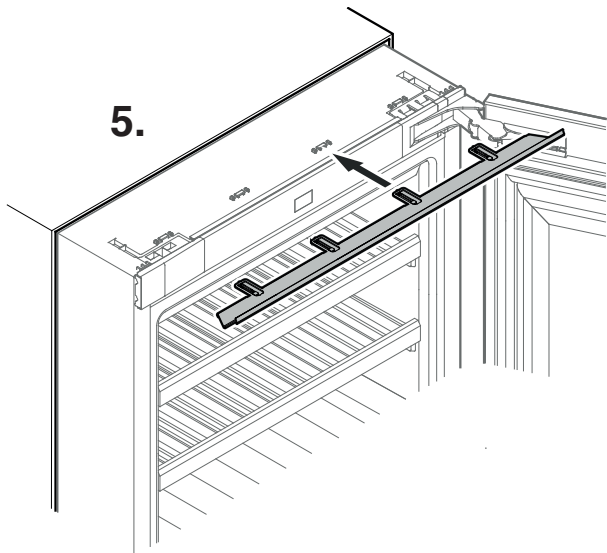
3. Slide the appliance two-thirds of the way into the kitchen unit. When sliding in the appliance, make sure that the mains cable is not damaged.



4. Screw in the adjustable feet as far as they will go.

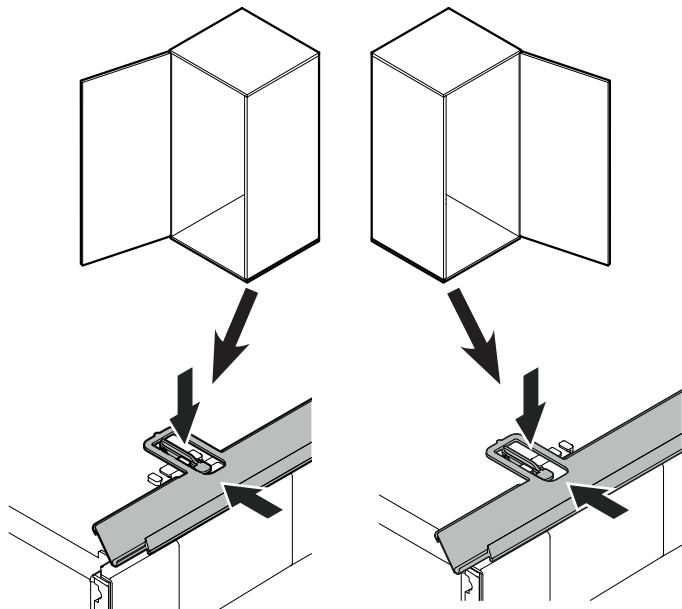


5. Fit cover profile.

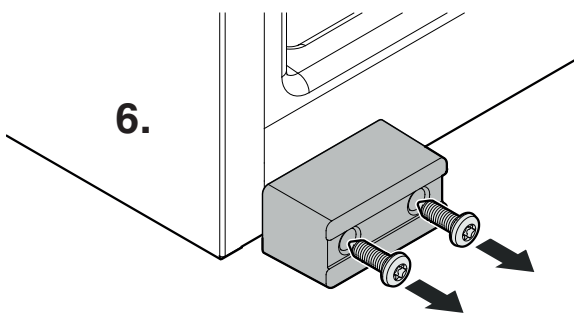


On appliances with hinges on the left

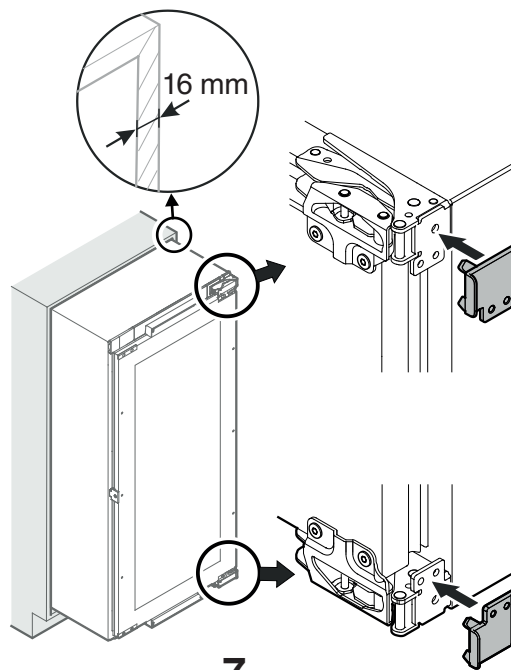
On appliances with hinges on the right



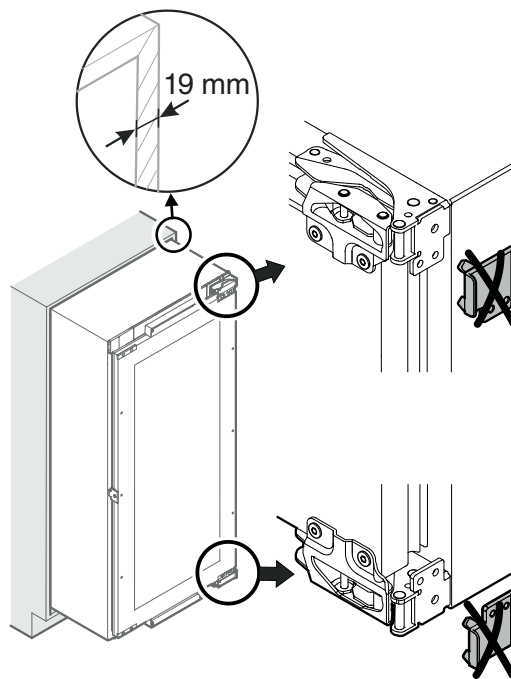
6. Remove the transportation safety component.



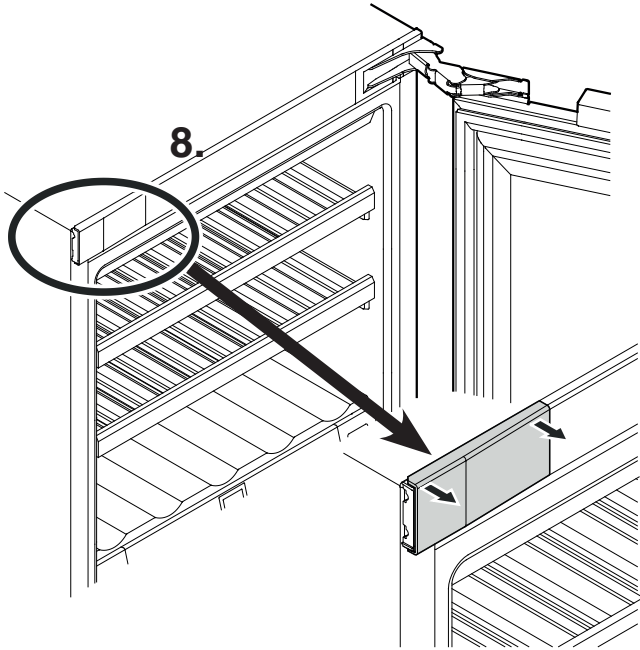
7. Only if the wall thickness is less than 19 mm: Fit the spacers.



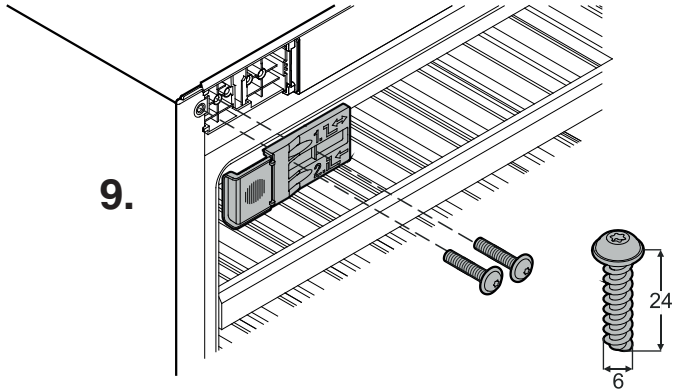
7.



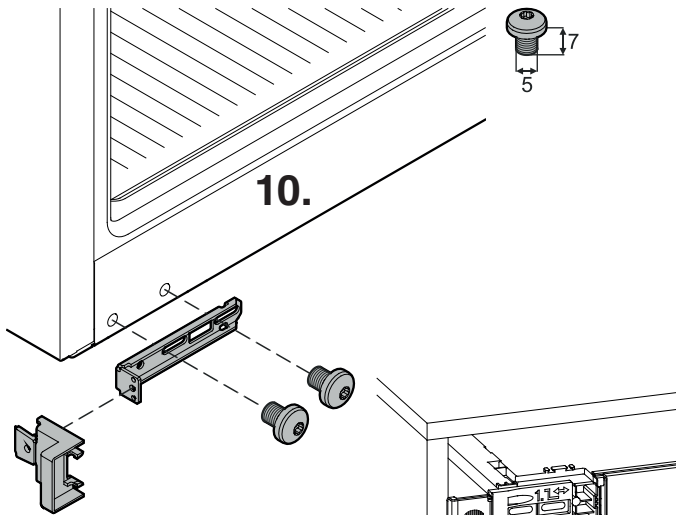
8. Remove cover.



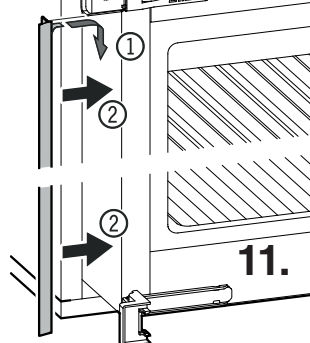
9. Screw on the attachment bracket.



10. Screw on the attachment bracket.

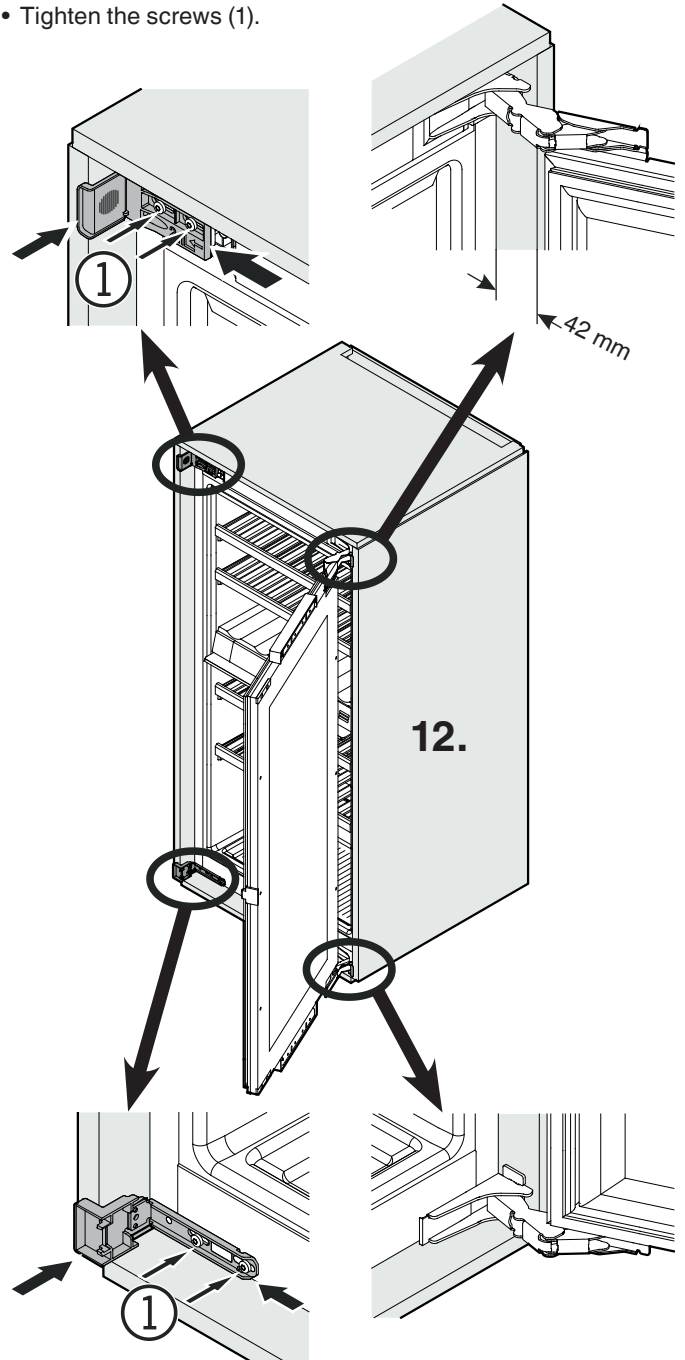


11. Fit cover profile.

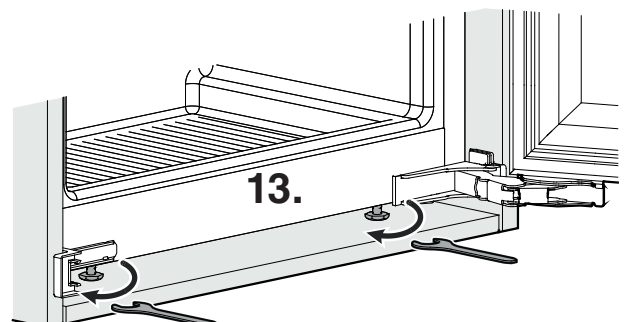


12. Slide the appliance fully into the recess. Check that the distance is identical all the way round.

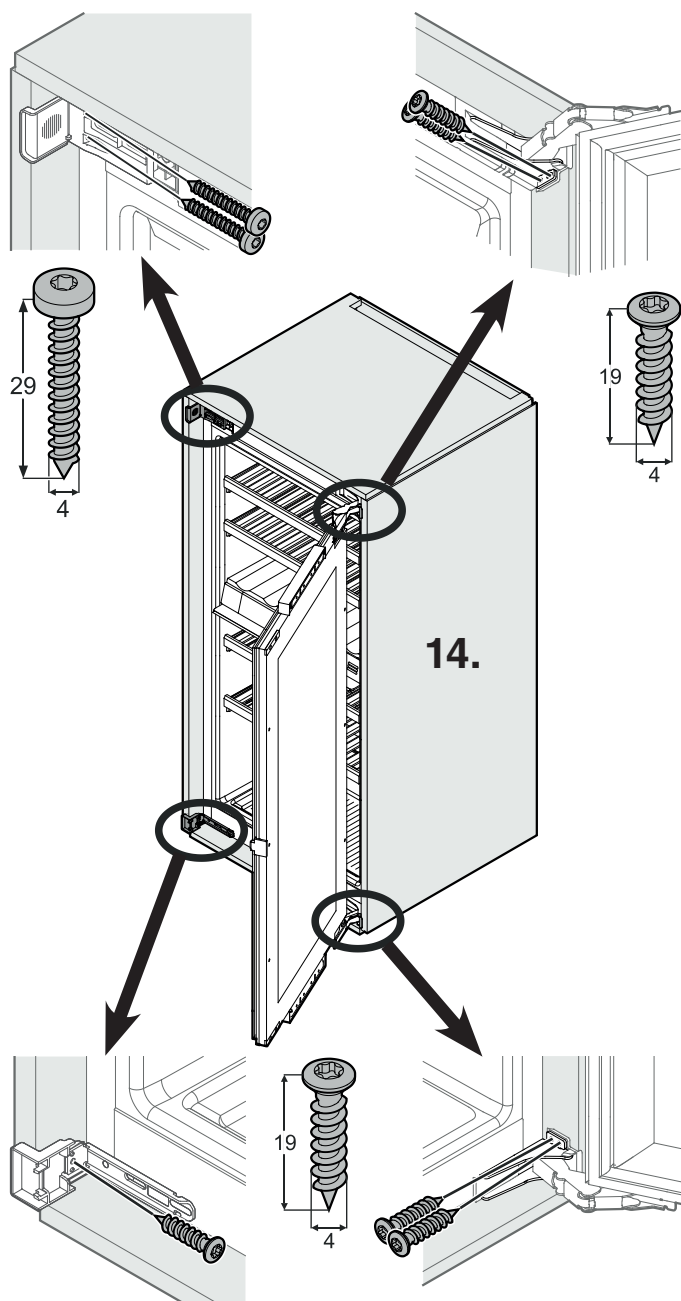
- Undo the screws (1).
- Slide bracket towards the unit wall.
- Tighten the screws (1).



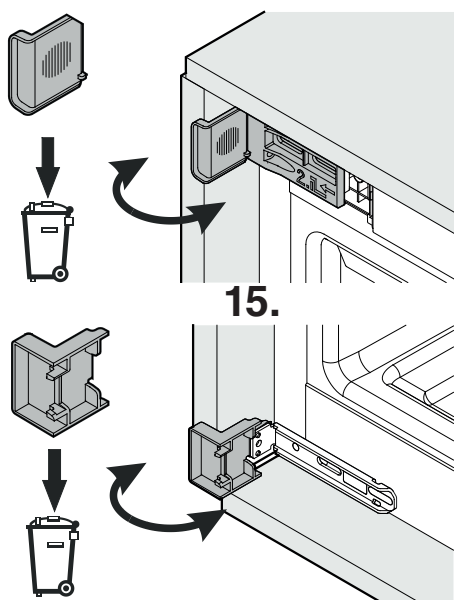
13. Adjust appliance via the adjustable feet.



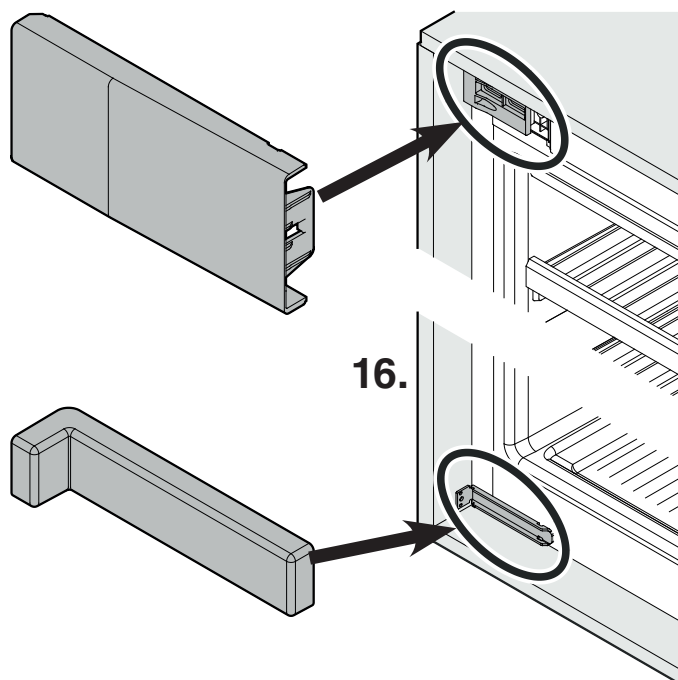
14. Secure the appliance to the kitchen unit using screws through the hinges and attachment brackets.



15. Snap off and remove the front part of the stop bracket.

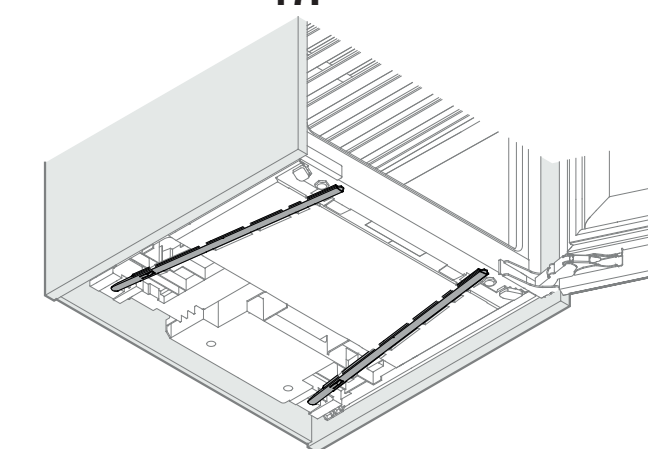
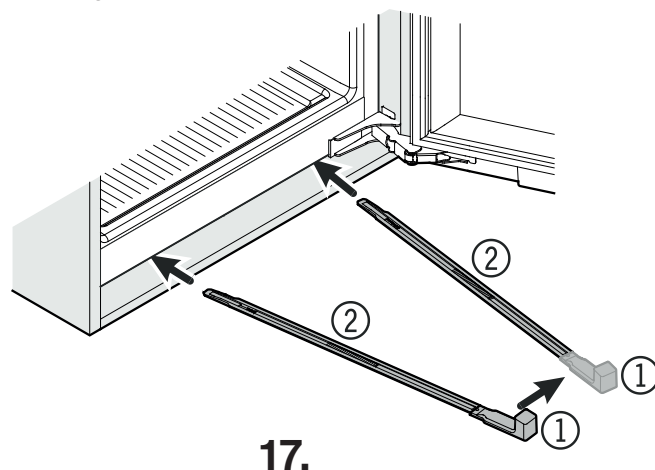


16. Fit the covers.



17. Stabilise the appliance at the back at the bottom:
Fit the handle (1) to the stabilising rail (2) and slide the stabilising rail into the floor of the appliance.

Remove the handle and repeat this procedure with the second stabilising rail.



Notice

The clearance may only be adjusted using the panel, not the door hinges!

Check that the door is securely fitted to the appliance and closes properly.

Installation is now complete.



Liebherr Hausgeräte Lienz GmbH

Dr.-Hans-Liebherr-Strasse 1

A-9900 Lienz

Österreich

www.liebherr.com

