



Installation Guide

Quality, Design and Innovation



home.liebherr.com/fridge-manuals





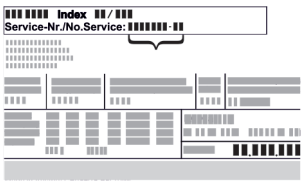




LIEBHERR

General safety instructions

Contents

1	General safety instructions	2
2	Installation dimensions	3
3	Side-by-Side assembly	4

The manufacturer is constantly working to improve all types and models. Therefore, please be aware that we reserve the right to make changes to the shape, equipment and technology.

Symbol	Explanation
	<p>Read instructions</p> <p>Please read the information in these instructions carefully to understand all of the benefits of your new appliance.</p>
	<p>Additional information online</p> <p>The digital manual with supplemental information and in additional languages can be found online by scanning the QR code on the front page of this manual or by entering the service number at home.liebherr.com/fridge-manuals.</p> <p>The service number can be found on the serial tag:</p>  <p style="text-align: center;"><i>Fig. Example illustration</i></p>
	<p>Check appliance</p> <p>Check all parts for transport damage. If you have any complaints, please contact your agent or customer service.</p>
	<p>Differences</p> <p>These instructions apply to a range of models, so there may be differences. Sections that apply to certain models only are indicated by an asterisk (*).</p>
	<p>Instructions and results</p> <p>Instructions are marked with a ▶.</p> <p>Results are marked with a ▷.</p>
	<p>Videos</p> <p>Videos about the appliances are available on the YouTube channel of Liebherr-Hausgeräte.</p>

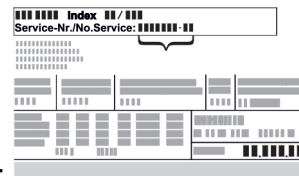
Open-source licenses:

The appliance includes software components that make use of open-source licenses. You can find information on the open-source licenses to be used here: home.liebherr.com/open-source-licenses

1 General safety instructions




- Please keep this assembly manual in a safe place so you can refer back to it at any time.
- If you pass the appliance on, please hand this assembly manual to the new owner.

- Read this assembly manual before installation and use in order to use the appliance safely and correctly. Follow the instructions, safety instructions and warning messages included at all times. They are important for ensuring you can operate and install the appliance safely and without any problems.
- First read the general safety instructions in the “General safety instructions” section of the **operating instructions**, which accompany these installation instructions, and follow them. If you cannot find the **operating instructions**, you can download the **operating instructions** from the internet by entering the service number at home.liebherr.com/fridge-manuals. The service number can be found on the serial



tag:

- **Observe the warning messages and other detailed information in the other sections when installing the appliance:**

	DANGER	indicates a hazardous situation, which if not avoided, will result in death or serious injury.
	WARNING	indicates a hazardous situation, which if not avoided, could result in death or serious injury.
	CAUTION	indicates a hazardous situation, which if not avoided, will result in minor or moderate injury.
	NOTICE	indicates a hazardous situation, which if not avoided, could result in damage to property.
	Note	indicates useful advice and tips.

2 Installation dimensions

Fig. 2 Example illustration

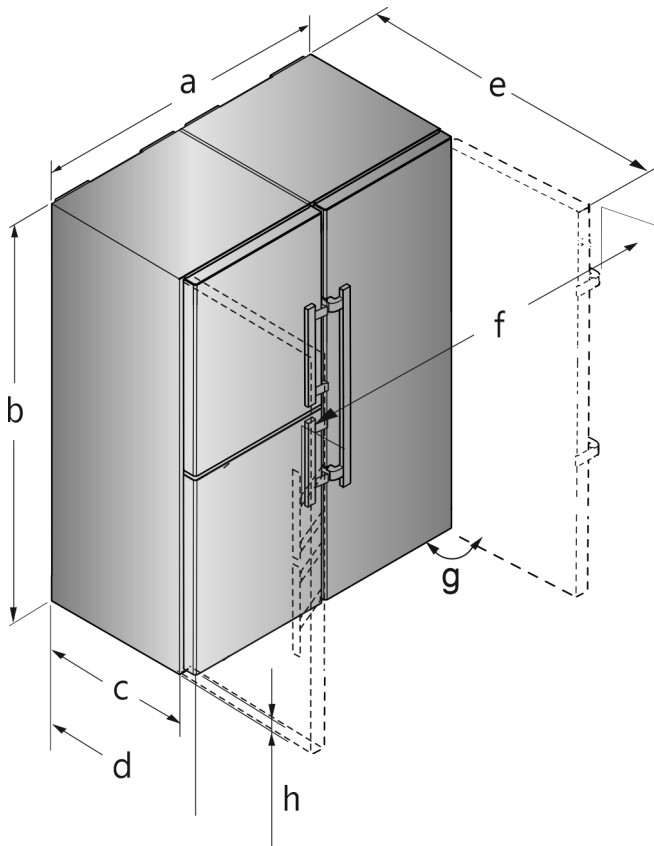


Fig. 1 Example illustration

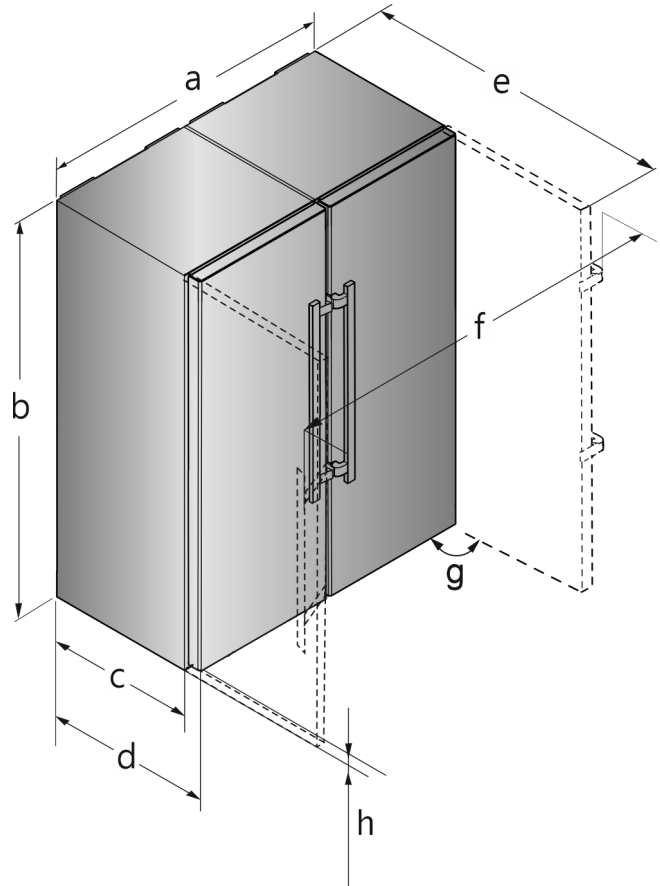
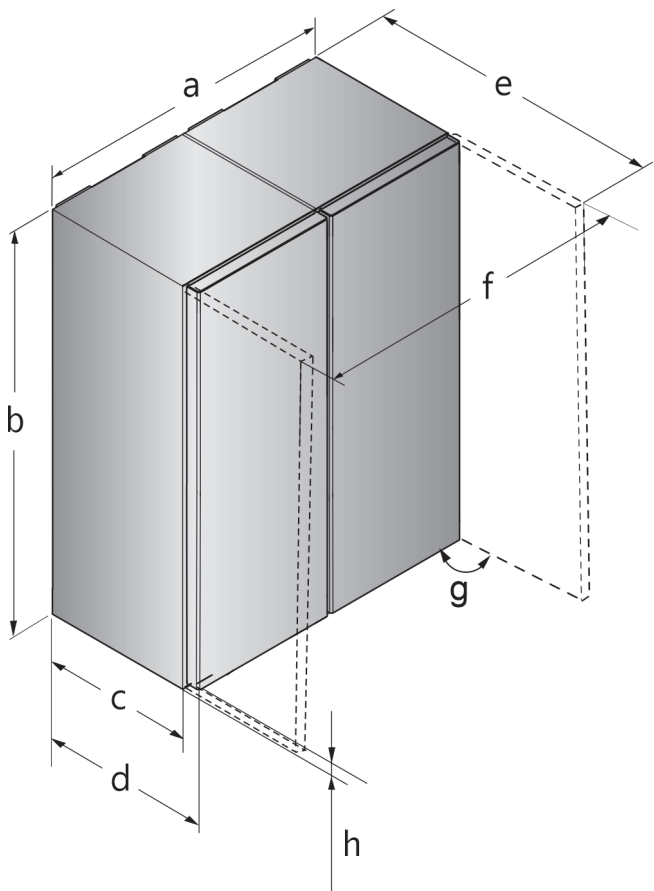


Fig. 3 Example illustration

For appliances with lever handle



	a	b	c	d	e	f	h	g
S(BN) (CN) (FN) SWN (sd) (st) (bd) (bs) 52..(i)	1204 mm	1855 mm	611 mm ^x	675 mm ^x	1222 mm ^x	1318 mm	35 mm	90°

* Depending on model and options

Side-by-Side assembly

	a	b	c	d	e	f	h	g
CBN.. 76..	1504 mm	1855 mm	611 mm ^x	675 mm ^x	1365 mm ^x	1618 mm	35 mm	90°

For appliances with lever handle

^x If wall spacers are used, the dimensions must be increased by 15 mm .

The dimensions with an open door apply for an opening angle of 90 °. The clearances vary depending on the opening angle.

	a	b	c	d	e	f	h	g
SFN(sd)(sf)(bd) 52..	1226 mm	1855 mm	611 mm ^x	675 mm ^x	1217 mm ^x	1252 mm	35 mm	90°

For appliances with recessed grip

^x If wall spacers are used, the dimensions must be increased by 15 mm .

The dimensions with an open door apply for an opening angle of 90 °. The clearances vary depending on the opening angle.

3 Side-by-Side assembly

NOTICE

Risk of damage due to colliding doors!
Damage to the appliances if set up Side-by-Side. If you set up two appliances in a specific Side-by-Side arrangement, the door hinges of both appliances are specified from the factory.

► Side-by-Side setup: Do not change the door hinge.

As seen from the front, set up the freezer or appliance with the freezing compartment on the left. These appliances are equipped with a side-wall heater on the right hand side to prevent condensation forming.

All fasteners are supplied with the appliance.

Assembly parts in the accessory kit

For appliances with lever handle

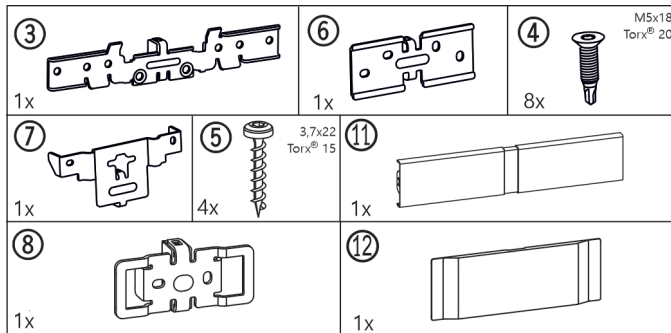


Fig. 4

For appliances with recessed grip

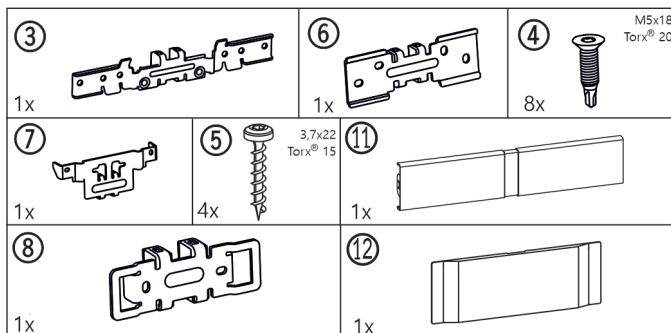


Fig. 5

For all appliances

For appliances with recessed grip

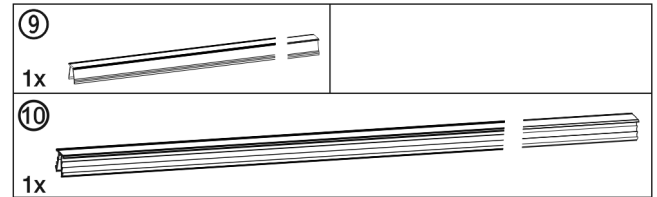


Fig. 6

For appliances with bottom soft stop mechanism*

Base trim*

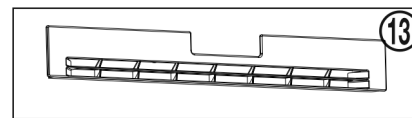


Fig. 7*

Swap bearing block cover

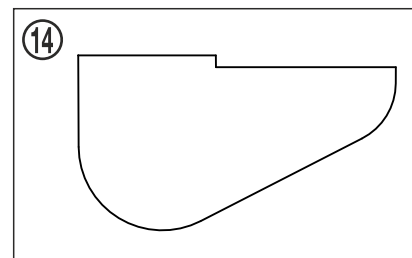


Fig. 8

For appliances without bottom soft stop mechanism*

Base panels*

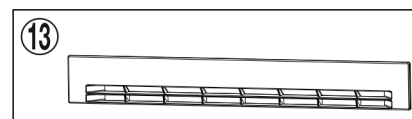


Fig. 9*

Tool for assembly

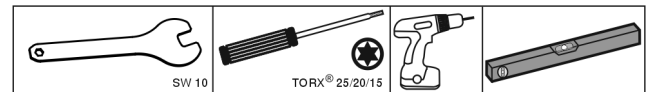


Fig. 10

Make sure you have the following tools on hand:

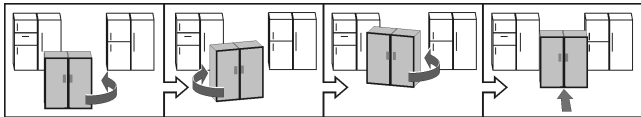
- Side 10 open-ended spanner (supplied)
- Torx® 25/20/15 screwdriver
- Cordless screwdriver
- Spirit level

Information on moving the SBS combination:

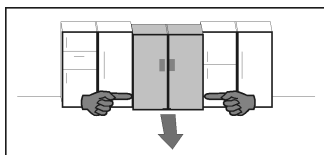
- Before assembly, set the appliances up as close as possible to the final location.

The appliances must be accessible on all sides for correct installation.

- ❑ When moving the appliances after installation, always take hold from the front outer corners. Never press your knee against the side walls or door.
- ❑ The easiest way to move the SBS combination is diagonally, by moving the left and right corner in turn. If the combination is positioned exactly in front of the recess, slide it in straight.



- ❑ If you need to pull the combination back out of the recess, grasp it in the bottom third and pull forward straight.



NOTICE

Moving the SBS combination may result in damage! The assembled SBS combination is heavy. If not moved properly, the appliance may become dented.

- ▶ Read and follow the moving tips (see above).
- ▶ Remove all protective films from the housing exterior.

Bottom front of the appliance:

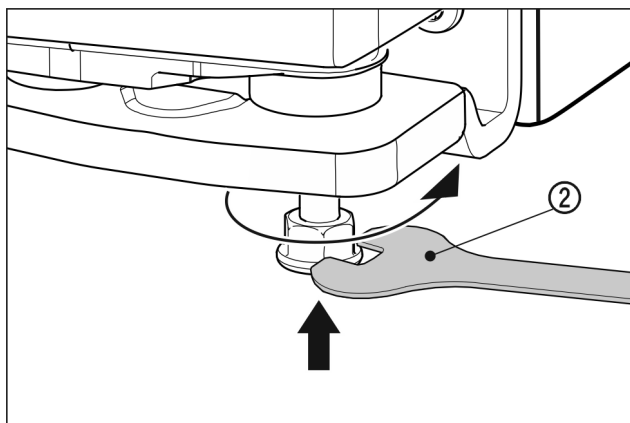


Fig. 11

- ▶ Screw in the outer adjusting feet. The appliances can be moved more easily.

For appliances with lever handle

- ▶ Push both appliances so that they are approx. 10 mm apart from each other, and they are positioned flush facing forwards.

For appliances with recessed grip

- ▶ Push both appliances so that they are approx. 32 mm apart from each other, and they are positioned flush facing forwards.
- ▶ Line the appliances up using a spirit level on the top of the appliance.

Top front of the appliance:

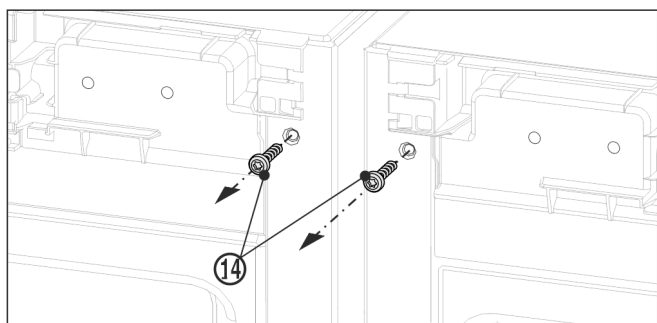


Fig. 12

- ▶ Remove the existing covers.
- ▶ Before fitting the top bracket, unscrew both grounding screws Fig. 12 (14).
- ▶ Store the grounding screws safely. The screws are needed for the bracket assembly as shown below.

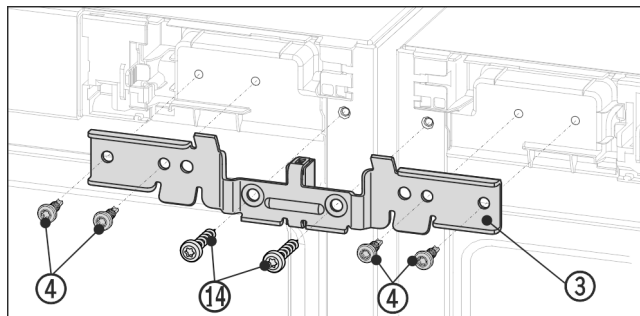


Fig. 13 Example illustration

- ▶ Slide the bracket Fig. 13 (3) with the spacer between the appliances onto the pins. Loosely screw on the bracket with four screws Fig. 13 (4) and the previously unscrewed grounding screws Fig. 13 (14) alternately on the right and left.
- ▶ If necessary: Level out the appliance by laying a spirit level on the top of the appliance.

Bottom front of the appliance:

- ▶ Remove the existing covers.

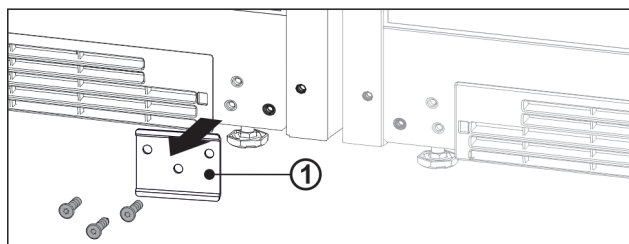


Fig. 14

- ▶ If the metal plate Fig. 14 (1) is installed, unscrew the metal plate.

Note

If you want to transport the appliance or set it up as an individual appliance, you must re-attach the metal plate.

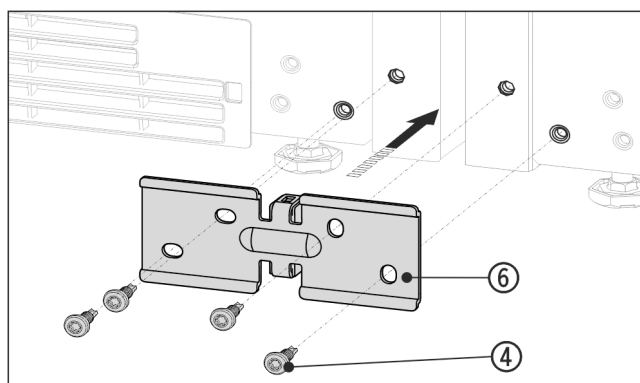


Fig. 15 Example illustration

- ▶ Slide the bracket Fig. 15 (6) with the spacer between the appliances and loosely screw on with 4 screws Fig. 15 (4).
- ▶ If necessary: Align the appliances.
- ▶ Tighten top and bottom screws.

Top rear of the appliance:

Side-by-Side assembly

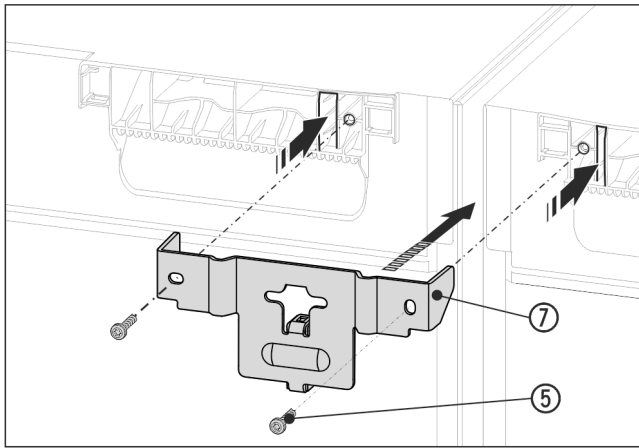


Fig. 16 Example illustration

- ▶ Slide the bracket Fig. 16 (7) with the spacer between the appliances and onto the appliance ceiling with the lugs. Tighten with 2 screws Fig. 16 (5).

Bottom rear of the appliance:

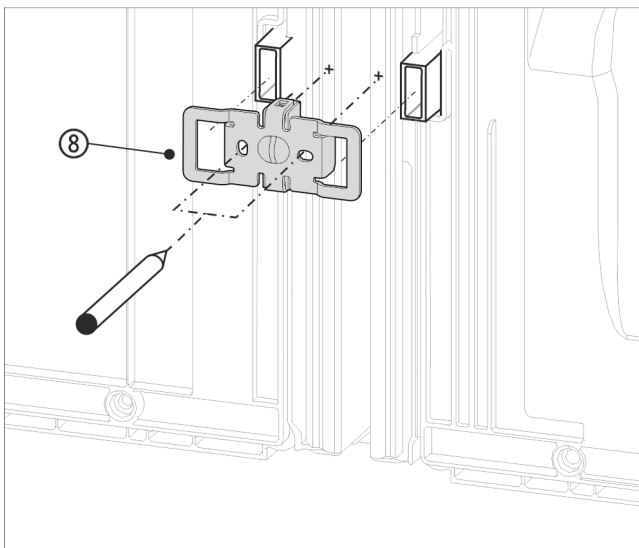


Fig. 17 Example illustration

- ▶ Slide the bracket Fig. 17 (8) with the slots over the retainer for the wall spacers.

Note

Holes for the screws must be pre-drilled.

- ▶ Mark the position of the holes to be drilled with a pencil.
- ▶ Remove the bracket again.

Note

Only drill through the metal plate. Drill depth approx. 1 mm.

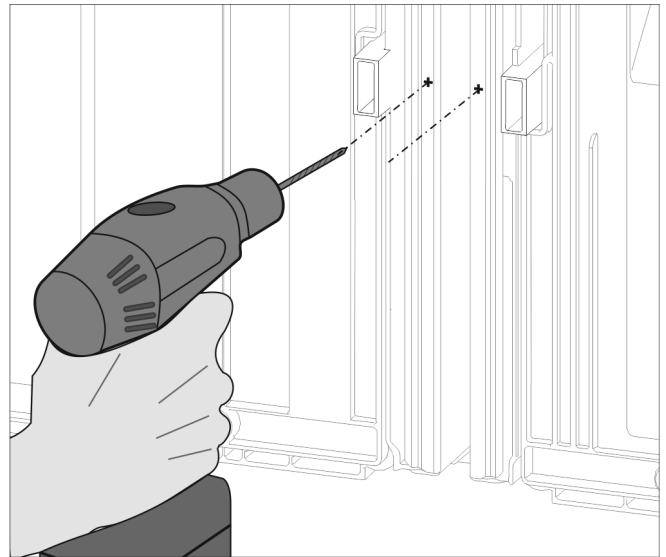


Fig. 18

- ▶ Pre-drill the screw holes with a 3 mm bit and deburr.

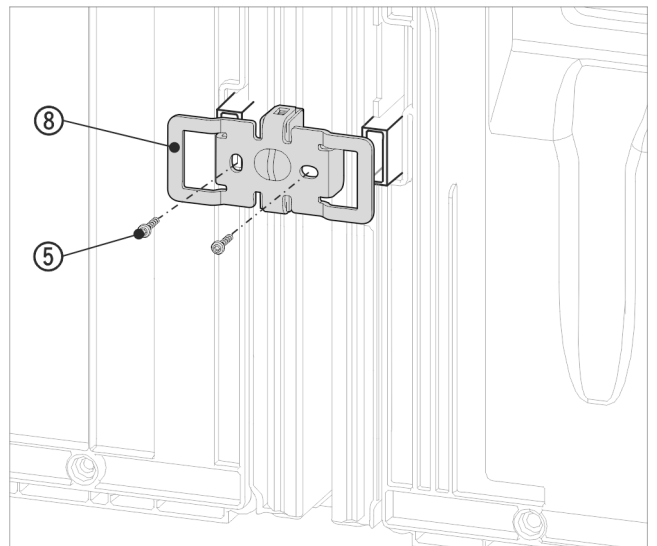


Fig. 19 Example illustration

- ▶ Slide the bracket Fig. 19 (8) on once more with the slots over the retainer for the wall spacers.
- ▶ Tighten firmly with 2 screws Fig. 19 (5).

Before fitting the top and front cover strips, push the two bars together over the whole length. The strips can be inserted more easily into the gap. Use a soft cloth to push the strips in to avoid dents in the surface of the cover strips. Press the strips into the gap carefully and evenly in order to achieve an optimum bond.

For appliances with lever handle

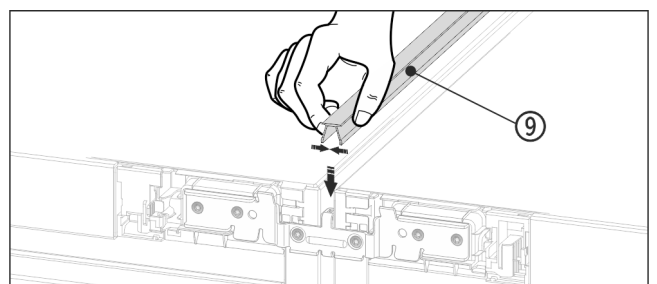


Fig. 20

- ▶ On the top press the short cover strip Fig. 20 (9) into the horizontal gap.

For appliances with recessed grip

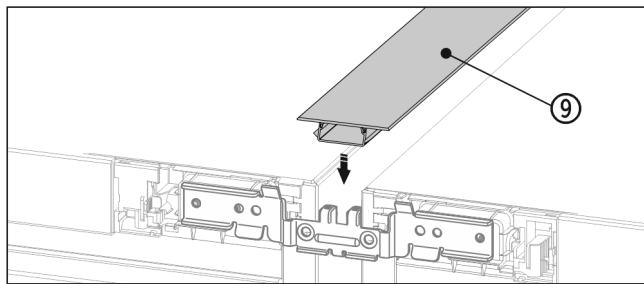


Fig. 21

- ▶ On the top press the short cover strip Fig. 21 (9) into the horizontal gap.

For appliances with lever handle

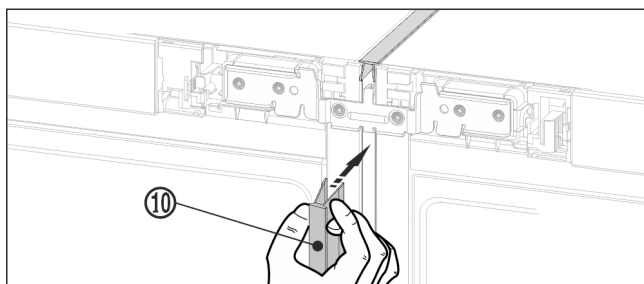


Fig. 22

- ▶ On the front press the long cover strip Fig. 22 (10) into the vertical gap. Ensure that the strip rests on the connecting plate.

For appliances with recessed grip

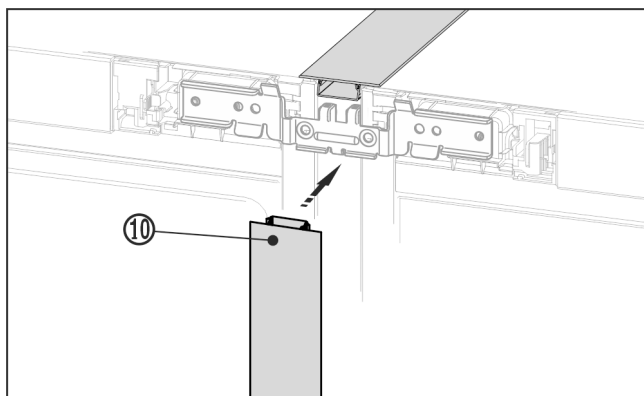


Fig. 23

- ▶ On the front press the long cover strip Fig. 23 (10) into the vertical gap. Ensure that the strip rests on the connecting plate.
- ▶ Take off the protective film from the cover strip.*

Top front of the appliance:

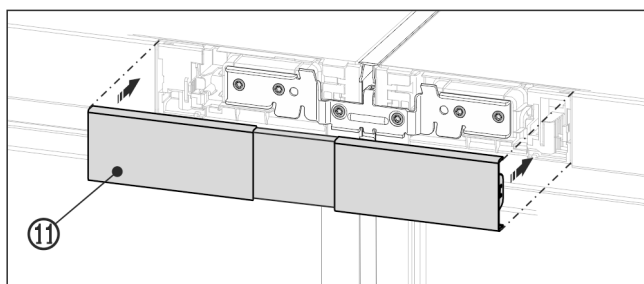


Fig. 24 Example illustration

- ▶ Snap the top cover Fig. 24 (11) onto the still open gap between the two control panel trims. Make sure that the outer sides of the cover form a flush finish with the control panel trims.

Bottom front of the appliance

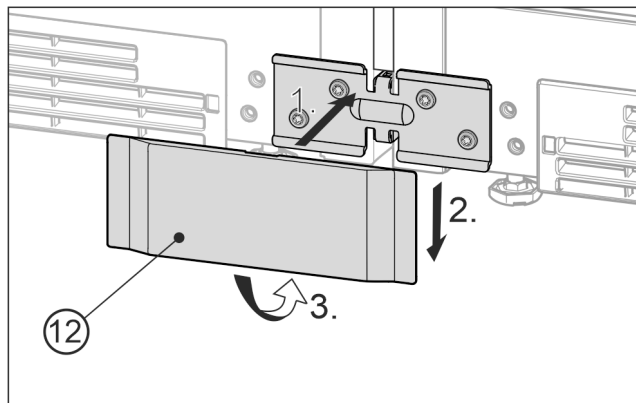


Fig. 25 Example illustration

- ▶ Place the bottom cover Fig. 25 (12) onto the bracket from the front Fig. 25 (1), slide it down Fig. 25 (2) and snap it in at the bottom Fig. 25 (3).
- ▶ To disassemble the cover, insert a screwdriver at the bottom on the side below the cover and release both lower hooks. The cover can swing out upwards.
- ▶ Connect the combination to the power supply. See Installation Guide.
- ▶ Appliances with IceMaker or InfinitySpring: Connect the appliance to the fixed water connection. See Installation Guide.

NOTICE

Moving the SBS combination may result in damage! The assembled SBS combination is heavy. If not moved properly, the appliance may become dented.

- ▶ Read and follow the moving tips (see above).
 - ▶ Carefully push the SBS combination into the specified position.
 - ▶ If necessary, level out the SBS combination using the leveling feet.
 - ▶ Then prop up the door: Lower outer adjusting feet on the bearing bracket until they are resting on the floor.
- The height of the doors can be adjusted on the outer lower bearing brackets:
- ▶ Open the door to 90°.

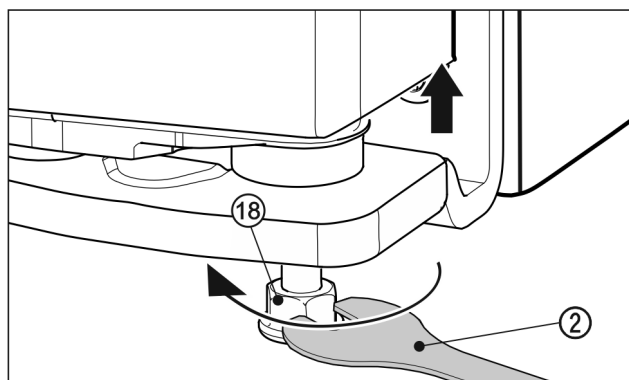


Fig. 26

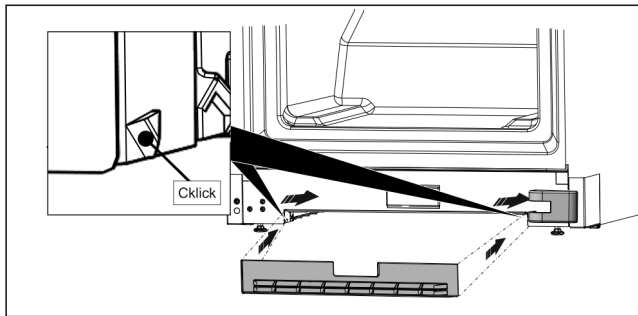
- ▶ To lift the door, unscrew the adjusting foot Fig. 26 (18) clockwise using the supplied open-ended spanner Fig. 26 (2) until the foot comes into contact with the floor. Then continue turning until the door is adjusted to the right height. When delivered, the bearing pin is completely screwed in.

Fit decorative base trim.*

After you have assembled and straightened out the appliances, the base trims can be fitted at the bottom of the appliances. The base trims are decorative and will not affect the functionality of the appliances.*

For appliances with bottom soft stop mechanism*

Side-by-Side assembly



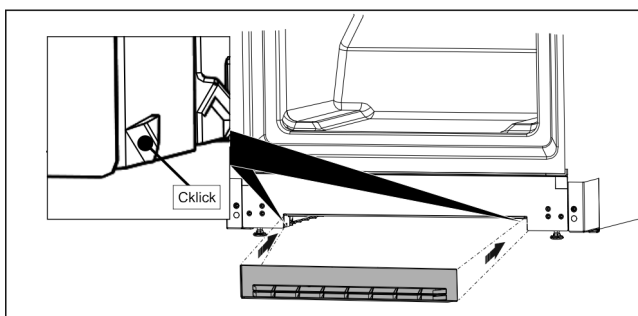
*Fig. 27 **

- Fasten the base panel in the recess on the bottom of the appliance.*

Note

The base trim must be pushed to a little behind the bearing bracket cover.*

For appliances without bottom soft stop mechanism*



*Fig. 28 **

- Secure the base trim in the recess at the bottom of the appliance, as shown in the figure.*



home.liebherr.com/fridge-manuals

EN Side-by-side fridge-freezer

Issue date: 20241126

Part number index: 7086153-00

Liebherr-Hausgeräte GmbH
Memminger Straße 77-79
88416 Ochsenhausen
Deutschland