



RC472305



RA430100:  
Storage container with lid, anthracite

RA421710:  
SS door 76,2cm / 30"

RA423140:  
Side trims, long

RA425110:  
Vario SS handle 1131 mm

RA428710:  
SS door w/o handle 76,2cm / 30"

RA460000:  
Installation kit SxS

RA460013:  
Heating side kit 230V

RA460020:  
Frontpanel connection long

RA464711:  
Ventilation grille 76.2cm/30" w/o filter

**Vario refrigerator 400 series**  
**212.5 x 75.6 cm, soft close flat hinge**  
**RC472305**

Stainless steel interior with solid anthracite aluminium elements

Warm white and glare-free LED light spots

Opening assist for door with two options:

1. Push-to-open function for integration into handleless furniture front 2. Pull-to-open function to facilitate opening the door using a handle

The drawers in the RC and RF models are positioned at the same height. With side-by-side installation, the glass shelves and door racks can be aligned on the same level

Flat stainless steel inner door, full-length

Almost invisible rail system for shelves and door racks for flexible positioning

Solid anthracite aluminium door racks

1 fresh cooling drawer 0 °C with temperature control from -1° C to +3 °C and 1 fresh cooling drawer with manually adjustable humidity

TFT touch display

Total volume: 467 litres

**Handling**

TFT touch display operation.

Clear text display.

**Technical features**

Dynamic cold air distribution.

Automatic defrosting with defrost water evaporation.

Cushioned door closing system.

Activated charcoal air filter.

Rest mode certified by Star-K.

When rest mode is active, the appliance can only be opened using a handle.

Open-door and malfunction alarm.

**Selected digital services (Home Connect)**

Remote control and monitoring.

Remote diagnostics.

Home network integration for digital services (Home Connect) wireless via WiFi.

The use of the Home Connect functionality depends on the Home Connect services, which are not available in every country. For further information please check: [home-connect.com](http://home-connect.com).

**Cooling**

Fast cooling.

Temperature adjustable from +2 °C to +8 °C.

3 safety glass shelves, white glass, individually adjustable in height.

1 shallow, fully extendable drawer with transparent front.

1 integrated shelf with satin-finished glass.

Cushioned closing system.

4 brilliant LED light spots with warm white, glare-free light (3500 K) within cooling area and drawers.

Flat door rail system with fully flexible positioning of door racks.

4 height-adjustable door racks, 1 of which is extra deep.

Volume 398 litres.

**Fresh cooling 0 °C**

1 large, fully extendable fresh cooling 0 °C drawer with transparent front, illuminated.

Cushioned closing system.

Temperature control via central TFT display, temperature can be adjusted from -1 °C to +3 °C.

Ideal for meat, fish and poultry.

Volume 69 litres.

**Fresh cooling**

1 fully extendable fresh cooling drawer with transparent front, illuminated.

Cushioned closing system.

Humidity can be adjusted manually.

Ideal for fruit and vegetables.

**Consumption data**

Energy efficiency class E at a range of energy efficiency classes from A to G.

Energy consumption 166 kWh/year.

Noise level 40 dB (A) re 1 pW.

**Planning notes**

Flat hinge.

Door hinge right, reversible.

Door opening angle of 115°, fixable at 90°.

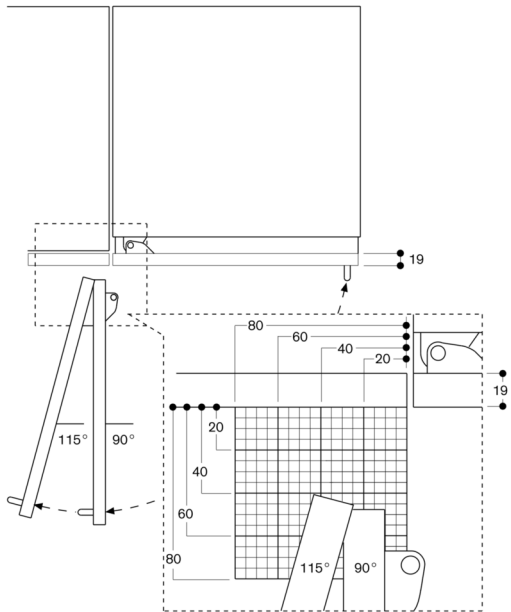
Max. door panel weight 29 kg.

**Connection**

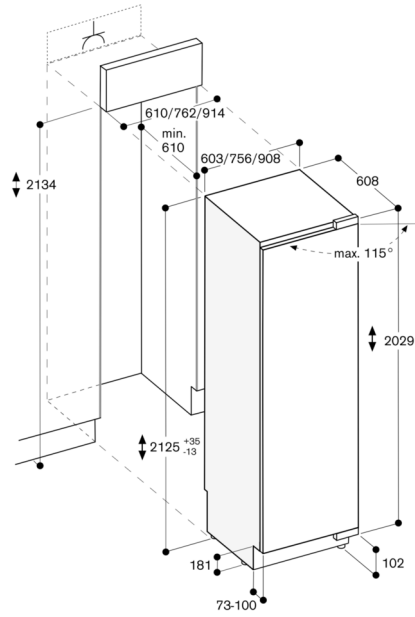
Total connected load: 0.300 KW.

Connecting cable 3.0 m, pluggable.

Door opening angle

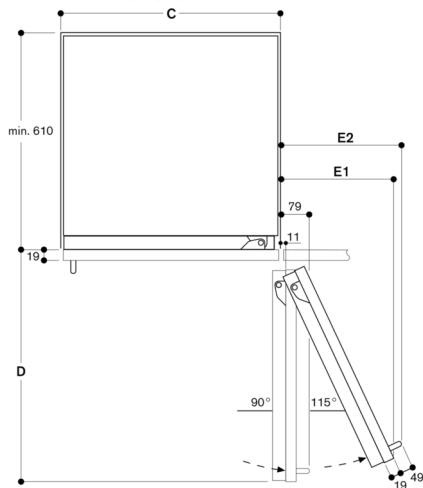


The hinge travel and resulting clearances from adjacent furniture units and handles can be found from the drawing while allowing for the thickness of the front panel. In the drawing, a furniture unit front panel thickness of 19 mm was assumed.



The maximum door panel dimensions are based on a clearance of 3 mm.

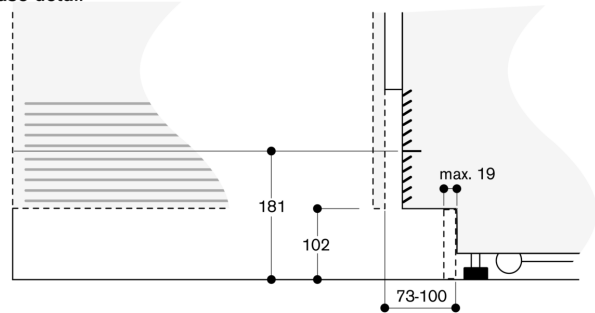
Wall clearance RB 472/RC/RF/RW



Recess width	C	D	E1	E2
457 mm	525 mm	235 mm	265 mm	
610 mm	677 mm	299 mm	330 mm	
762 mm	830 mm	364 mm	395 mm	
914 mm	980 mm	428 mm	460 mm	

In the drawing, a unit front thickness of 19 mm and a Gaggenau unit handle of 49 mm were taken as a basis.

Base detail



Based on the standard appliance height, the height of the plinth is 102 mm. Maximum plinth thickness 19 mm.

