

XCCsdh 5250

Side-by-Side combination
○ Prime

LIEBHERR

Freestanding



SCNsdh 5253 LHH

Fridge-freezer with EasyFresh and VarioTemp

◊ Prime



← 60 →



Energy consumption (kWh/yr) / Star rating	194 / 6.0 kWh ¹
Volume	Fridge: 229 l Freezer: 103 l
Noise output	33 dB(A)
Climate rating	SN-T (+10 °C to +43 °C)
Frequency / voltage	50-60 Hz / 220-240 V-
Connection Rating	1.4 A 194 W
Door / Side walls	SmartSteel / silver
Exterior dimensions in cm (h / w / d)	185.5 / 59.7 / 67.5 ¹
Controls	
Type of Control	2.4" TFT-colour display behind-the-door, touch- & swipe Digital temperature display for fridge and freezer compartments
Door alarm	visual and acoustic
Alarm in case of malfunction	visual and acoustic
Fridge compartment	
Forced air system	PowerCooling with FreshAir activated charcoal filter
Door interior	Premium GlassLine storage shelf with bottle holder, Removable VarioBoxes, adjustable egg tray
VarioSafe	yes
Bottle shelf	Bottle shelf
Interior light	LED light panel both sides
Fruit and vegetable bins	1 EasyFresh-Safe on telescopic rails
Freezer compartment	
Interior light	LED lighting
Number of drawers	3 drawers, VarioSpace
Features	
Side-by-Side concept	Side wall heating right, suitable for combination with other refrigerators, freezers and/or wine appliances
Door hinges	left
Replaceable door seal	yes
EAN-Nr.	4016803084211

¹ To achieve the indicated energy consumption level, the wall spacers provided with the appliance must be used. These increase the appliance depth by approximately 1.5 cm. If the wall spacers are not used, the appliance will remain fully functional, but will have a slightly higher energy consumption level.

SCNsdh 5253 RHH

Fridge-freezer with EasyFresh and VarioTemp

◊ Prime



← 60 →



Energy consumption (kWh/yr) / Star rating	194 / 6.0 kWh ¹
Volume	Fridge: 229 l Freezer: 103 l
Noise output	33 dB(A)
Climate rating	SN-T (+10 °C to +43 °C)
Frequency / voltage	50-60 Hz / 220-240 V~
Connection Rating	1.4 A 194 W
Door / Side walls	SmartSteel / silver
Exterior dimensions in cm (h / w / d)	185.5 / 59.7 / 67.5 ¹
Controls	
Type of Control	2.4" TFT-colour display behind-the-door, touch- & swipe Digital temperature display for fridge and freezer compartments
Door alarm	visual and acoustic
Alarm in case of malfunction	visual and acoustic
Fridge compartment	
Forced air system	PowerCooling with FreshAir activated charcoal filter
Door interior	Premium GlassLine storage shelf with bottle holder, Removable VarioBoxes, adjustable egg tray
VarioSafe	yes
Bottle shelf	Bottle shelf
Interior light	LED light panel both sides
Fruit and vegetable bins	1 EasyFresh-Safe on telescopic rails
Freezer compartment	
Interior light	LED lighting
Number of drawers	3 drawers, VarioSpace
Features	
Side-by-Side concept	Side wall heating left, suitable for combination with other refrigerators, freezers and/or wine appliances
Door hinges	right
Replaceable door seal	yes
EAN-Nr.	4016803058014

¹ To achieve the indicated energy consumption level, the wall spacers provided with the appliance must be used. These increase the appliance depth by approximately 1.5 cm. If the wall spacers are not used, the appliance will remain fully functional, but will have a slightly higher energy consumption level.

Features



VarioTemp

Experience plenty of scope when storing food: Thanks to VarioTemp, you can set the freezer compartment between -15 °C to -26 °C or convert to fridge or cellar compartment when additional cooling space required with an adjustable temperature from -2 °C to +14 °C.



SoftSystem

From breakfast to a midnight snack - a fridge needs to be open and closed on many occasions. And your Liebherr makes this a lot of fun. With the SoftSystem, your fridge door closes softly and safely, and in a way which is pleasantly quiet and light. Bottles stored in the inside door remain securely in place - nothing rattles or wobbles.



Bottle Shelf

A bottle shelf is featured for neat and tidy bottle storage. This also prevents bottles rolling around on the shelf when other items are moved. The style of the bottle shelf varies between models, so please check individual models to view which is provided.



VarioSafe

For small items such as tubes, jars, medication and make up. Can be relocated to different shelves.



VarioSpace

Want to store a multi-layer ice cream cake safely until the summer party? No problem for your Liebherr freezer: Sometimes you just need more space and it's prepared for just that. With VarioSpace you can remove individual freezer drawers and the horizontal glass dividers below them, and hey presto, you have an extra large storage space.



PowerCooling system

Do you want to be sure that the cold is distributed as evenly as possible in your refrigerator? If so, the PowerCooling system is what you need. The fan - as powerful as it is quiet - distributes the cold air efficiently throughout the entire refrigeration compartment.

Features



NoFrost

When you open your freezer, you want to see frozen food – and certainly not ice and frost. NoFrost protects the freezer compartment from unwanted icing, which consumes a lot of energy and can be expensive. NoFrost means no more tedious and time-consuming defrosting of the freezer compartment, more time for other things – and saving money.



EasyFresh

The guarantee of market freshness in the home is our EasyFresh-Safe. Whether it's unpackaged vegetables or fruit, this ensures optimal storage for everything. Thanks to the air-tight closure, the food causes the humidity in the safe to rise. This keeps the food fresh for a long time.



DuoCooling

DuoCooling uses two completely separate refrigeration circuits to ensure no air is exchanged between the fridge and freezer compartments. The food neither dries out nor is odour transferred. This means throwing less away, shopping less often, but saving more and greater enjoyment.



LightTower

Enjoy an optimally illuminated interior: the LightTower shows off the food in its best light and is positioned so that all of your filled fridge is illuminated at all times. The flush mounting of the LightTower in the side walls means there is also more space for your food.



Touch & Swipe display

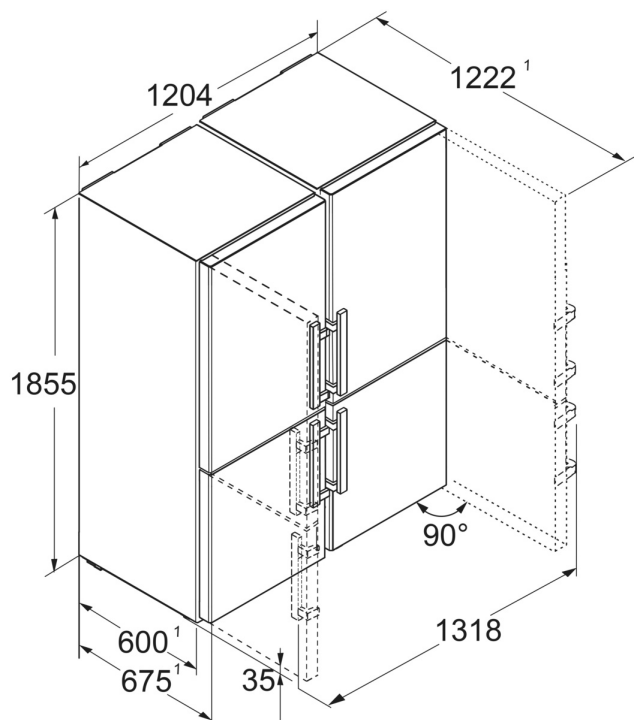
Control of your Liebherr at your fingertips: thanks to the Touch & Swipe display, you can operate your refrigerator intuitively and with ease. Simply select functions such as SuperCool on the colour display by tapping and swiping. The temperature is controlled just as easily. And, what if you are not actively using the display? Well, it then shows you the actual temperature.



SmartSteel

The SmartSteel surface makes your high-end quality Liebherr a real eye-catcher – and a real piece of designer furniture. The horizontal effect perfectly accentuates the stainless steel and gives the surface a silky gloss, making it pleasant to the touch. The anti-fingerprint coating reduces the visibility of finger prints and is easy to clean.

Technical drawing



Products and their details are staged for advertising purposes. Whilst every effort is made to ensure all specifications and information in this flyer are accurate, Liebherr reserves the right to make changes without notification. Where actual appliance measurements, specifications, and ratings are crucial, we recommend that the actual appliance installation instructions that accompany each appliance be checked. Liebherr will not be liable for any damage. (04.05.2023)

