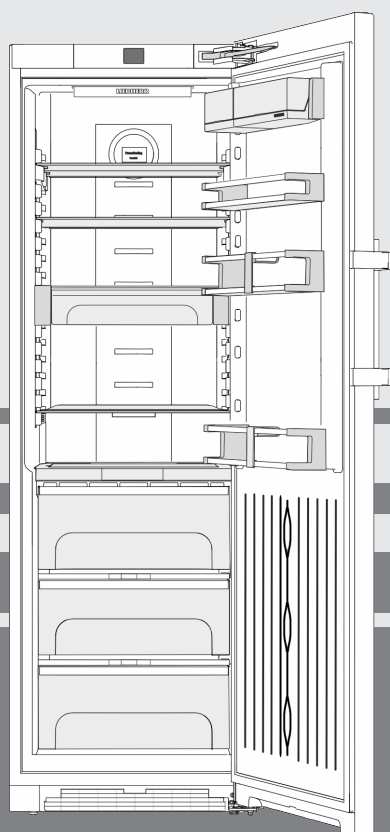


User Guide

fridge with BioFresh

EN



20220719 **7088214 - 00**

(S)KB(es) 43..

LIEBHERR

Contents

1	Appliance at a glance	2
1.1	Overview of the appliance and its equipment.....	2
1.2	Appliance range of use.....	2
1.3	Conformity.....	3
1.4	EPREL database*.....	3
1.5	Installation dimensions.....	3
1.6	Saving energy.....	3
1.7	Example of contents arrangement.....	4
1.8	Smart device	4
2	General safety information	4
3	Controls and displays	6
3.1	Home screen.....	6
3.2	Operating structure.....	6
3.3	Navigation.....	6
3.4	Display symbols.....	6
3.5	Appliance options.....	7
4	Putting into operation	7
4.1	Transporting the appliance.....	7
4.2	Installing the appliance.....	7
4.3	Reversing the door.....	8
4.4	Sliding into the row of units.....	13
4.5	Disposing of packaging.....	13
4.6	Connecting the appliance.....	14
4.7	Switching on the appliance.....	14
4.8	SmartDevice box.....	14
4.9	Inserting the FreshAir filter.	15
4.10	Setting the clean ventilation grid timer.....	15
5	Control	15
5.1	Changing the temperature unit.....	15
5.2	Child proofing.....	15
5.3	SabbathMode.....	16
5.4	Refrigerator compartment.....	16
5.5	BioFresh compartment.....	19
6	Maintenance	21
6.1	Change the FreshAir filter.....	21
6.2	Defrosting.....	22
6.3	Cleaning the ventilation grid.....	22
6.4	Cleaning the appliance.....	22
6.5	Customer service.....	22
6.6	Energy efficiency class lighting*.....	23
7	Malfunctions	23
8	Messages	24
9	Decommissioning	25
9.1	Switching the appliance off.....	25
9.2	Taking the appliance out of service.....	25
10	Disposal	25
10.1	Preparing appliance for disposal.....	25
10.2	Disposing of the appliance in an environmentally friendly manner.....	25

The manufacturer works constantly on the further development of all the types and models. Therefore please understand that we have to reserve the right to make design, equipment and technical modifications.

To get to know all the benefits of your new appliance, please read the information contained in these instructions carefully.

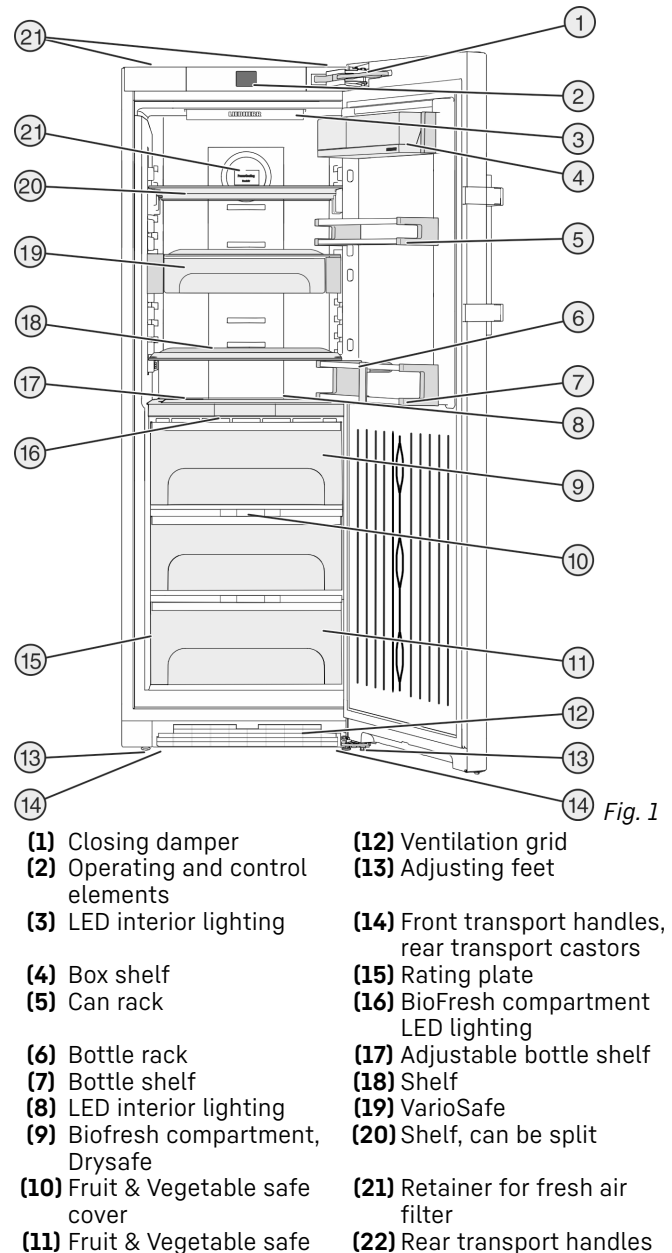
The instructions apply to several models. Differences may occur. Text relating only to specific appliances is marked with an asterisk (*).

Instructions are marked with a ►, and results are marked with a ▷.

1 Appliance at a glance

1.1 Overview of the appliance and its equipment

Exemplary illustration of the appliance model



Note

► Shelves, drawers and baskets are arranged for optimum energy efficiency when the appliance is delivered. Changing how the shelves, for example, are inserted in the fridge compartment does not have any impact on energy consumption.

1.2 Appliance range of use

Intended use

The appliance is only suitable for cooling food products in a domestic or household-like environment. This includes, for example, use:

- in staff kitchens, bed and breakfast establishments,

- by guests in country houses, hotels, motels and other accommodation,
- for catering and similar services in the wholesale trade.

The appliance is not suitable for freezing food;

The appliance is not suitable as a built-in unit.

All other types of use are not permitted.

Foreseeable misuse

The following applications are expressly forbidden:

- Storing and refrigerating medicines, blood plasma, laboratory preparations or similar substances and products based on the Medical Device Directive 2007/47/EC
- Use in outdoor areas with very high humidity
- Use in areas at risk of explosions

Misusing the appliance may lead to damage to the goods stored or they may spoil.

Climate classifications

Depending on the climate classification the appliance is designed to operate in restricted ambient temperatures. The climate classification applying to your appliance is printed on the rating plate.

Note

- Keep to the specified ambient temperatures in order to guarantee that the appliance works properly.

Climate classification	for ambient temperatures of
SN	10 °C to 32 °C
N	16 °C to 32 °C
ST	16 °C to 38 °C
T	16 °C to 43 °C

1.3 Conformity

The refrigerant circuit has been tested for leaks. This device complies with the applicable safety regulations and with the directives 2014/35/EU, 2014/30/EU, 2009/125/EC, 2011/65/EU, 2010/30/EU and 2014/53/EU.

The full text of the EU Declaration of Conformity is available on the following website: www.Liebherr.com

The BioFresh compartment meets the requirements of a cold storage compartment as set out in DIN EN 62552:2020.

1.4 EPREL database*

Details about energy labelling and ecodesign requirements will be available on the European product database (EPREL) from 1st March 2021. You can access the product database at the following link: <https://eprel.ec.europa.eu/> You will be

asked to enter the model ID. You can find the model ID on the nameplate.*

1.5 Installation dimensions

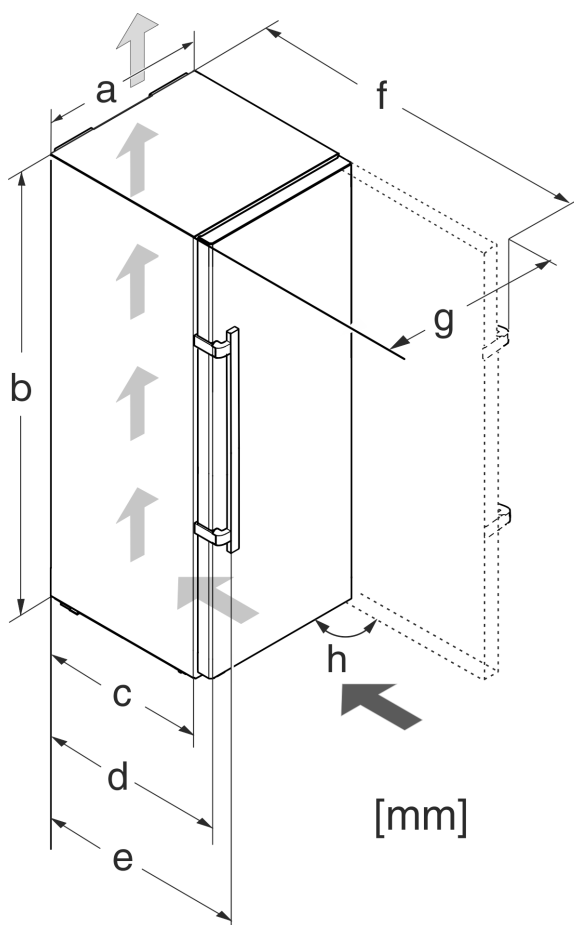


Fig. 2

Model	a [mm]	b [mm]	c [mm]	d [mm]	e [mm]	f [mm]	g [mm]	h [°]
(S)KB(es) 43..	600	1850	600 _x	665 _x	709 _x	1223 _x	640	90

^x When using wall spacers, the dimensions increase by 15 mm (see 4.2 Installing the appliance).

1.6 Saving energy

- Pay attention to good ventilation. Do not cover ventilation holes or grids.
- Always keep the fan air slits clear.
- Do not install the appliance in direct sunlight, next to an oven, radiator or similar.
- Energy consumption depends on the installation conditions, e.g. the ambient temperature (see 1.2 Appliance range of use). A warmer ambient temperature can increase the energy consumption.
- Open the appliance for as short a time as possible.
- The lower the temperature is set the higher the energy consumption.
- Sort your food: home.liebherr.com/food.
- Keep all food properly packed and covered. This prevents frost from forming.
- Only take food out for as long as necessary so that it doesn't warm up too much.

General safety information

- Inserting warm food: allow to cool down to room temperature first.
- Use the holiday function if you intend to be away for an extended period (see 5.4.4 Holiday mode).

1.7 Example of contents arrangement

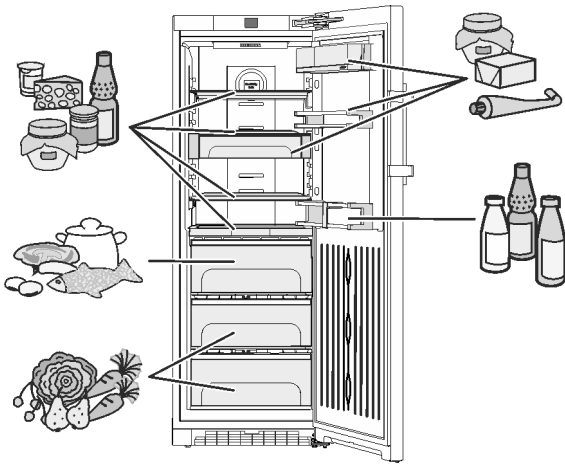


Fig. 3

1.8 Smart device

The appliance is ready for integration into a smart home and for extended services. With a SmartDevice Box, you can activate this and other options. This is activated via the MyLiebherr customer portal.



Note

The SmartDevice Box is available for purchase from the [Liebherr Household Store](http://home.liebherr.com) (home.liebherr.com).

You will find more information about availability and prerequisites and the individual options on the website, www.smartdevice.liebherr.com.

2 General safety information

Please keep these instructions in a safe place and pass them on to any subsequent owners.*

Please keep these operating instructions in a safe place so you can refer back to them at any time.*

If you pass the appliance on, please hand these operating instructions to the next user.*

Read these operating instructions carefully before use to ensure safe and correct use of the appliance. Follow the instructions, safety instructions and warning messages included at all times. They are important for ensuring you can operate and install the appliance safely and without any problems.

Danger for the user:

- This device can be used by children and people with impaired physical, sensory or

mental abilities or with a lack of experience and knowledge provided that they are supervised or have received instruction in the safe use of this device, and about the resulting hazards. Children must not play with this appliance. Cleaning and user maintenance work must not be carried out by children without adult supervision. Children aged between 3 and 8 are allowed to load and unload the appliance. Children below the age of 3 must be kept away from the appliance unless they are under continuous adult supervision.

- The socket must be easily accessible so that the appliance can be disconnected quickly from the electricity in an emergency. It must not be located in the area behind the appliance.
- When disconnecting the appliance from the supply, always take hold of the plug. Do not pull the cable.
- In the event of a fault pull out the mains plug or deactivate the fuse.
- Do not damage the mains power cable. Do not operate the appliance with a defective mains power cable.
- If the supply cord is damaged, it must be replaced by a special cord or assembly available from the manufacturer or its service agent.*
- Only customer service or other specially trained staff may repair or perform other operations on the appliance.
- Only assemble, connect and dispose of the appliance according to the instructions.
- Special lights, such as LED lights on the appliance, are used to illuminate the interior of the appliance and are not suitable for room lighting.*

Fire hazard:

- This appliance contains a refrigerant which is environmentally friendly, but flammable. Leaking refrigerant may ignite. It is hazardous for anyone other than an Authorised Service Person to service this appliance. In Queensland, the authorised Service Person MUST hold a Gas Work Authorisation for hydrocarbon refrigerants, to carry out Servicing or repairs where the gas system is being opened or charged.*
- The coolant used (information on the model plate) is eco-friendly but also flammable. Any leaking coolant may ignite.
 - Do not damage the refrigerant circuit pipes.

- Do not handle ignition sources inside the appliance.
- Do not use electrical appliances inside the appliance (e.g. steam cleaners, heaters, ice cream makers, etc.).
- If the refrigerant leaks: remove any naked flames or ignition sources from the vicinity of the leakage point. Properly air the room. Inform customer services.
- Do not store explosives or sprays using combustible propellants such as butane, propane, pentane, etc. in the appliance. To identify these spray cans, look for the list of contents printed on the can, or a flame symbol. Gases possibly escaping may ignite due to electrical components.
- Keep burning candles, lamps and other items with naked flames away from the appliance so that they do not set the appliance on fire.*
- Keep burning candles, lamps and other items with naked flames away from the appliance so that they do not set the appliance on fire.*
- **WARNING:** Keep ventilation openings, in the appliance enclosure or in the built-in structure, clear of obstruction.*
- **WARNING:** Do not use mechanical devices or other means to accelerate the defrosting process, other than those recommended by the manufacturer.*
- **WARNING:** Do not damage the refrigerant circuit.*
- Please be sure to store alcoholic drinks or other packaging containing alcohol in tightly closed containers. Any alcohol that leaks out may be ignited by electrical components.

Danger of tipping and falling:

- Do not misuse the plinth, drawers, doors etc. as a step or for support. This applies particularly to children.

Danger of food poisoning:

- Do not consume food which has been stored too long.

Danger of frostbite, numbness and pain:

- Avoid prolonged skin contact with cold surfaces or refrigerated/frozen goods or take protective measures, e.g wear gloves.
- Do not consume ice cream, water ice or ice cubes immediately and do not consume them too cold.*

Danger of injury and damage:

- Hot steam can lead to injury. Do not use electrical heating or steam cleaning equip-

ment, open flames or defrosting sprays to defrost.

- Do not use sharp implements to remove the ice.

Risk of crushing:

- Do not reach into the hinge when opening and closing the door. Fingers may get trapped.

Symbols on the appliance:



The symbol can be located on the compressor. It refers to the oil in the compressor and indicates the following danger: Swallowing or inhaling can be fatal. This is only relevant for recycling. There is no danger in normal operation.



This symbol is found on the compressor and indicates the danger of flammable materials. Do not remove the sticker.



A sticker to this effect may be applied to the rear of the appliance. It refers to the foam-padded panels in the door and/or the housing. This is only relevant for recycling. Do not remove the sticker.

Please note the warning messages and other specific advice in the other chapters:

	DANGER	identifies a situation involving direct danger which, if not obviated, may result in death or severe bodily injury.
	WARNING	identifies a dangerous situation which, if not obviated, may result in death or severe bodily injury.
	CAUTION	identifies a dangerous situation which, if not obviated, may result in minor or medium bodily injury.
	NOTICE	identifies a dangerous situation which, if not obviated, may result in damage to property.
	Note	identifies useful instructions and tips.

Controls and displays

3 Controls and displays

3.1 Home screen

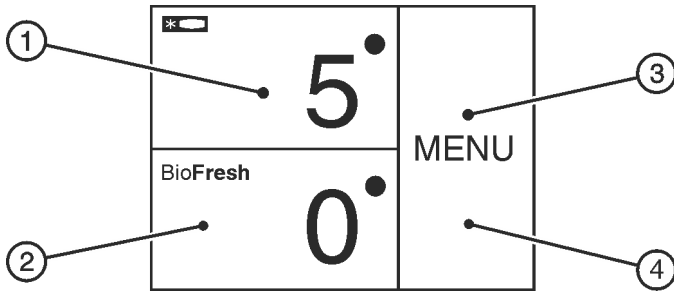


Fig. 4

- (1) Fridge compartment field
- (2) BioFresh field
- (3) Menu field
- (4) Screen

The home screen is the first screen the user sees. All settings can be made from there.

All functions can be called up by touching the screen and values can be changed.

3.2 Operating structure

Fridge compartment field



Fig. 5

- (1) Fridge compartment symbol
- (2) Fridge compartment temperature display

The fridge compartment temperature is displayed in the fridge compartment field.

The following settings can be entered:

- Temperature settings
- Switch off appliance. Screen remains functional.

BioFresh field



Fig. 6

- (1) BioFresh symbol
- (2) BioFresh temperature display

Setting the Biofresh temperature (see 5.5 BioFresh compartment).

Menu field

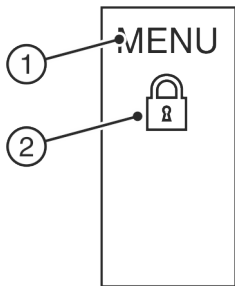


Fig. 7

- (1) Main menu
- (2) Option selected

The menu field gives access to the appliance options and settings. Selected options are also displayed.

3.3 Navigation

Touch the menu to access the individual options. An audible signal sounds after confirming an option or a setting. The display switches to the home screen.

The appliance is operated using the following symbols:



Standby:

Switches the appliance or temperature zone on.



Menu:

Calls up options.



Minus / Plus:

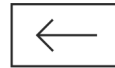
Changing settings (e.g. adjusting temperatures).



Left/right navigation arrow:

Selects options and navigates through the menu.

You can scroll through the individual options using the navigation arrows. The first option is displayed again after the last one.



Back:

Cancels the selection.

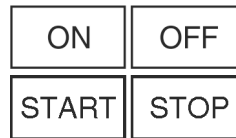
The display switches to the next higher level or to the home screen



OK:

Confirms the selection.

After confirmation the display switches to the home screen.



ON / OFF, START / STOP

Starts/ stops options.

After selecting or cancelling an option the display switches to the home screen.



RESET:

Resets timer.



Access to customer service

Note

If no selection is made after 1 minute the display switches to the home screen.

3.4 Display symbols

Display symbols provide information on the current appliance status:



Up arrows:

The temperature increases.



Down arrows:

The temperature reduces.



Standby:

The appliance or temperature zone is switched off.



Messages:

There are active error messages and reminders.

3.5 Appliance options

You can select or set the following options; explanations and setting options, (see 5 Control) :

Symbol	Option
11:27h	SuperCool ^x
SabbathMode	SabbathMode
Child safety device ^x	Child safety device ^x
Holiday function	Holiday function
Temperature unit	Temperature unit
BioFresh	BioFresh

^x If the option is selected, the relevant symbol is displayed in the menu field.

The symbol disappears if the option ends or is disabled.

4 Putting into operation

4.1 Transporting the appliance

- ▶ Transport the appliance only in suitable packaging.
- ▶ Transport the appliance upright.
- ▶ Do not transport the appliance on your own.

4.2 Installing the appliance



WARNING

Fire hazard due to dampness!

If live parts or the mains lead become damp this may cause short circuits.

- ▶ The appliance is designed for use in enclosed areas. Do not operate the appliance outdoors or in areas where it is exposed to splash water or damp conditions.



WARNING

Improper use!

Fire. If a mains cable/plug comes into contact with the back of the appliance, the mains cable/plug can be damaged by appliance vibrations and this may result in a short circuit.

- ▶ Stand the appliance so that it is not touched by connectors or main cables.
- ▶ Do not connect any appliances to sockets in the area of the back of the appliance.
- ▶ Multi-sockets/power distributors and other electronic appliances (such as halogen transformers) may not be placed and operated at the back of appliances.



WARNING

Leaking coolant and oil!

Fire. The coolant contained in the appliance is eco-friendly, but also flammable. The oil contained in the appliance is flammable. Escaping coolant and oil can ignite if the concentration is high enough and in contact with an external heat source.

- ▶ Do not damage the pipelines of the coolant circuit and the compressor.



WARNING

Fire hazard and danger of damage!

- ▶ Do not place appliances emitting heat e.g. microwaves, toasters etc. on the appliance!

NOTICE

Covered vents!

Damage. Appliance can overheat, which can reduce the service life of various parts of the appliance and lead to operational impairments.

- ▶ Always make sure there is good ventilation.
- ▶ Always keep vents or ventilation grids in the appliance housing and in the kitchen furniture (fully integrated appliance) unobstructed.
- ▶ Always keep the fan air vents unobstructed.

If your appliance is not a side-by-side (SBS) appliance:*

NOTICE

Risk of damage due to condensate!*

- ▶ Do not install the appliance directly alongside a further refrigerator/freezer.

Note

If you have several appliances next to one another, leave a gap of 70mm between appliances. Otherwise condensation will build up between the units.*

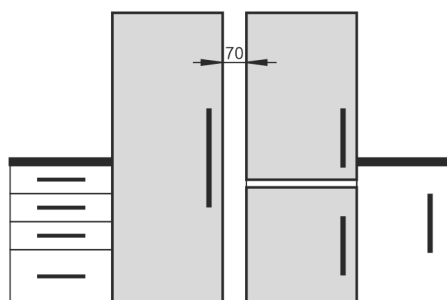


Fig. 8 *

- Before you connect the appliance, report any damage immediately to the delivery company.
- The floor of the installation site must be horizontal and even.
- Do not install the appliance in direct sunlight, next to an oven, radiator or similar.
- Install the appliance with the rear panel up against the wall and always use the supplied wall spacers (see below).
- Only ever move the appliance when it is empty.
- The surface supporting the appliance must be at the same level as the surrounding floor.
- Do not install the appliance on your own.
- The more coolant there is in the appliance, the larger the room in which the appliance is installed must be. If the room is too small, any leak may create a flammable mixture of gas and air. For each 8 g of coolant the installation space must be at least 1 m³. Information on the coolant is on the model plate inside the appliance.

Putting into operation

- ▶ Remove the protective film from the outside of the appliance.*

NOTICE

Risk of damage from stainless steel care products!
The **stainless steel doors** and **stainless steel side panels** are treated with a premium surface finish. Stainless steel care products attack these surfaces.

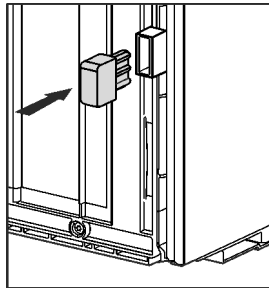


- ▶ Only use a soft, clean cloth to wipe down **finished door and side panel surfaces** and **painted door and side panel surfaces**. To remove heavy dirt, use a little water or neutral detergent. Alternatively, you can use a micro-fibre cloth.

- ▶ Remove the protective film from the decorative trims.
- ▶ Remove all transit supports.

Spacers must be used to achieve the declared energy consumption and to prevent condensation in the event of high surrounding humidity. This increases the appliance depth by about 15 mm. The appliance will work perfectly well without the spacers but will have a slightly higher energy consumption.

- ▶ If your appliance comes with wall spacers, mount these on the back of the appliance, bottom left and right.



- ▶ Dispose of packaging material (see 4.5 Disposing of packaging).



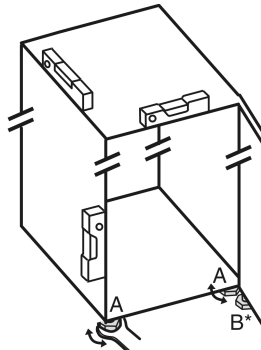
CAUTION

Risk of injury or damage from the appliance tipping or the door falling open!

If the additional adjustable foot on the base support is not correctly positioned on the floor, there is a risk of the door falling open or the appliance tipping. This can lead to injury or property damage.

- ▶ Unscrew the additional adjustable foot on the support until it reaches the floor.
- ▶ Then turn it another 90°.

- ▶ Align the appliance so that it stands firmly and on a level by applying the accompanying spanner to the adjustable-height feet (A) and using a spirit level.



- ▶ Then support the door: Use saddle wrench SW10 to unscrew the base on mounting block (B) until it makes contact with the ground, then continue turning it for a further 90°.

When a Side-by-Side appliance (S...) is fitted together with a second appliance (as a SBS combination):*

- ▶ Proceed according to the Side-by-Side combined fridge-freezer installation instructions. (Accessories bag of the SBS freezer/appliance with freezer compartment)*

Note

- ▶ Clean the appliance (see 6.4 Cleaning the appliance).

If the appliance is installed in a very damp environment, condensate may form on the outside of the appliance.

- ▶ Always see to good ventilation at the installation site.

4.3 Reversing the door

If necessary, you can change the way the door opens:

Ensure that the following tools are available:

- Torx® 25 (T25)
- Torx® 15 (T15)
- Slotted screwdriver
- Open-ended wrench SW10
- Spirit level
- Open-ended wrench supplied with the T25 tool
- If necessary, a cordless screwdriver
- Get a stepladder if necessary
- If necessary, a second person for assembly

NOTICE

Risk of condensation damage for Side-by-Side appliances!*

Certain appliances can be set up as Side-by-Side combinations (two appliances next to each other).

If your appliance is a **Side-by-Side (SBS) appliance**:

- ▶ Set up the SBS combination in accordance with the enclosed document.

If the **positioning of the devices is stipulated**:

- ▶ Do not change the door hinges over.

4.3.1 Remove the soft stop mechanism

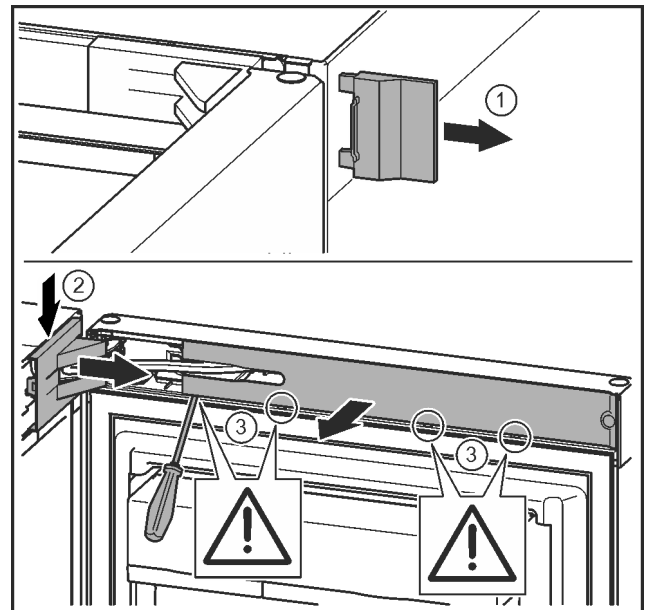


Fig. 9

- ▶ Open the door.

NOTICE

Risk of damage!

If the door seal is damaged, the door may fail to close properly and the cooling will be inadequate.

- ▶ Do not damage the door seal with the screwdriver!

- ▶ Remove the outer cover. Fig. 9 (1)
- ▶ Disengage and release the bearing bracket cover. Remove the bearing bracket cover. Fig. 9 (2)
- ▶ Unlatch the panel with a slotted screwdriver and swivel it to one side. Fig. 9 (3)

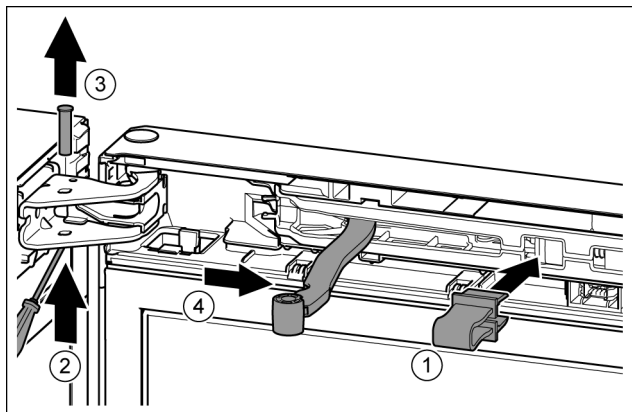


Fig. 10



CAUTION

Crushing hazard by joint folding up!

▶ Engage safety device.

- ▶ Engage the locking device in the opening. Fig. 10 (1)
- ▶ Unscrew the bolt with a screwdriver. Fig. 10 (2)
- ▶ Remove the bolt in an upward direction. Fig. 10 (3)
- ▶ Turn the hinge in the direction of the door. Fig. 10 (4)

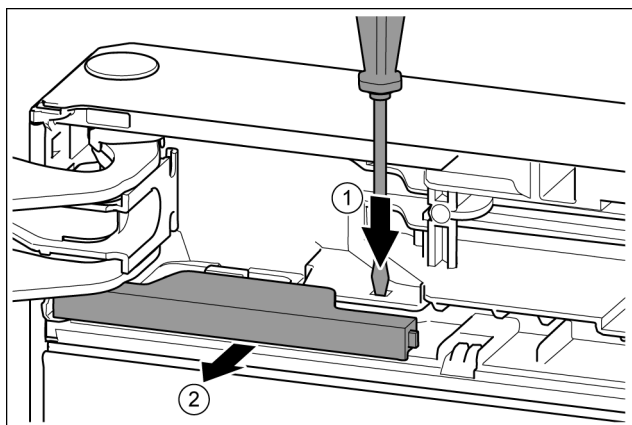


Fig. 11

- ▶ Press the tab with the slotted screwdriver. Fig. 11 (1)
- ▶ Pull cover out of the catch mechanism. Fig. 11 (2)

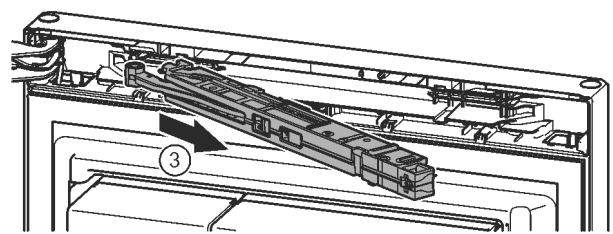
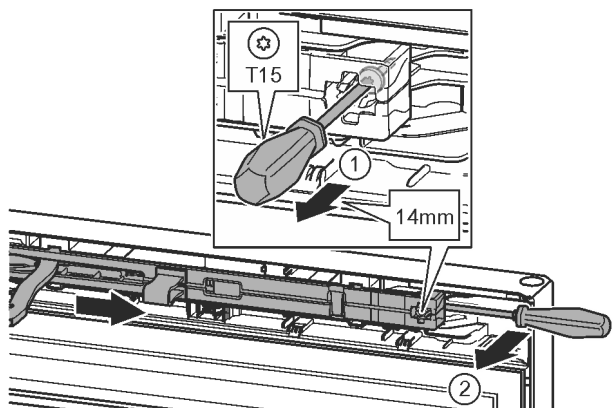


Fig. 12

- ▶ Undo the soft stop mechanism screw with a T15 screwdriver approx. 14 mm. Fig. 12 (1)
- ▶ Insert a screwdriver behind the soft stop mechanism on the handle side and rotate forwards. Fig. 12 (2)
- ▶ Remove the soft stop mechanism. Fig. 12 (3)

4.3.2 Remove the door

Note

- ▶ Remove any food from the door racks before removing the door, so that no food falls out.

Putting into operation

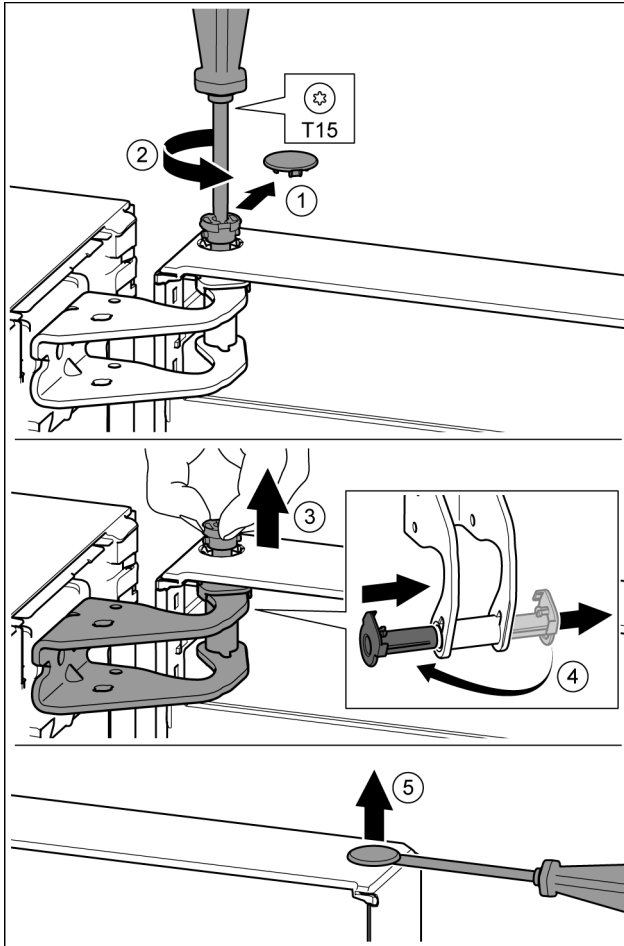


Fig. 13



CAUTION

Risk of injury if the door tips!

- ▶ Take good hold of the door.
- ▶ Set down the door carefully.

- ▶ Carefully remove the protective cover. Fig. 13 (1)
- ▶ Undo the bolt a little with a T15 screwdriver. Fig. 13 (2)
- ▶ Hold the door and remove the bolts with your fingers. Fig. 13 (3)
- ▶ Pull the bearing bush out of the guide. Insert from the other side and click into place. Fig. 13 (4)
- ▶ Lift the door and set it aside.
- ▶ Carefully lift the plugs out of the door bearing bush with a slotted screwdriver and remove. Fig. 13 (5)

4.3.3 Moving the upper bearing parts to the other side

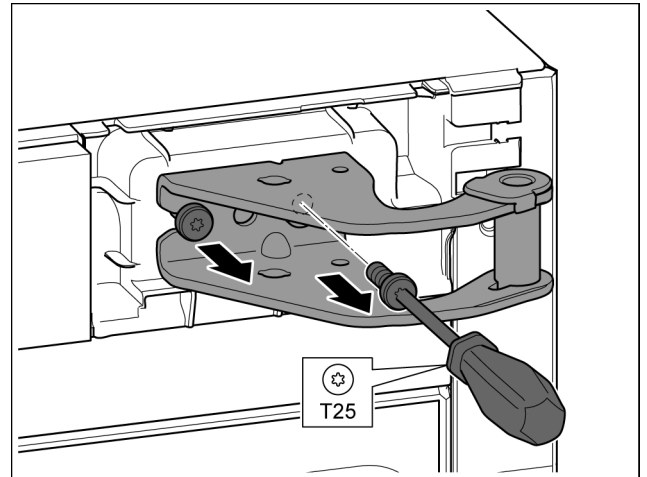


Fig. 14

- ▶ Remove both screws with the T25 screwdriver.
- ▶ Lift and remove the bearing bracket.

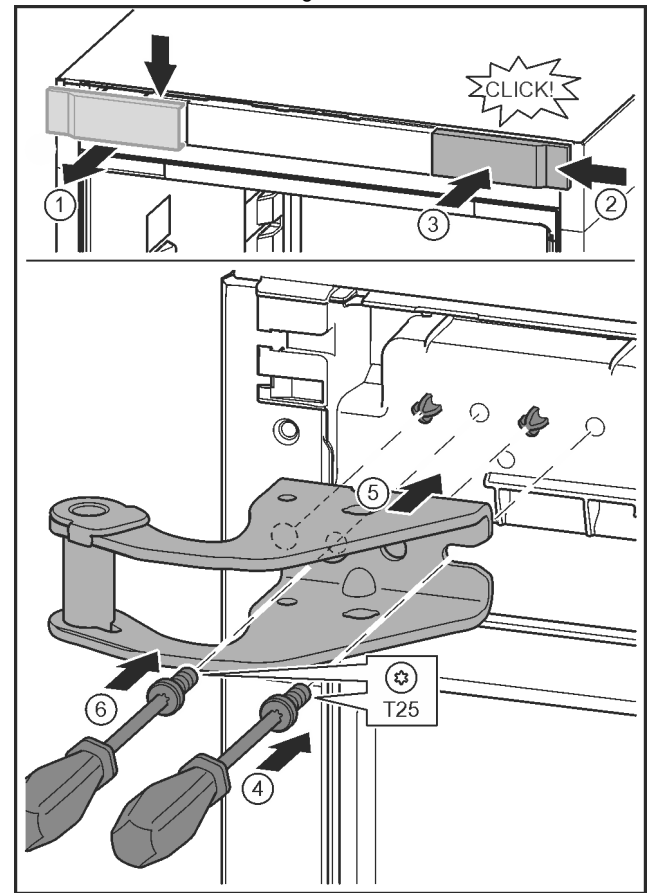


Fig. 15

- ▶ Release the cover and remove from the side. Fig. 15 (1)
- ▶ Rotate the cover 180° and clip onto the other side from the right. Fig. 15 (2)
- ▶ Click the cover into place. Fig. 15 (3)
- ▶ Position the screw with a T25 screwdriver. Fig. 15 (4)
- ▶ Position the upper bearing bracket. Fig. 15 (5)
- ▶ Place the pins in the provided screw holes.
- ▶ Tighten the screw. Fig. 15 (4)
- ▶ Insert the screw with a T25 screwdriver and tighten. Fig. 15 (6)

4.3.4 Moving the lower bearing parts to the other side

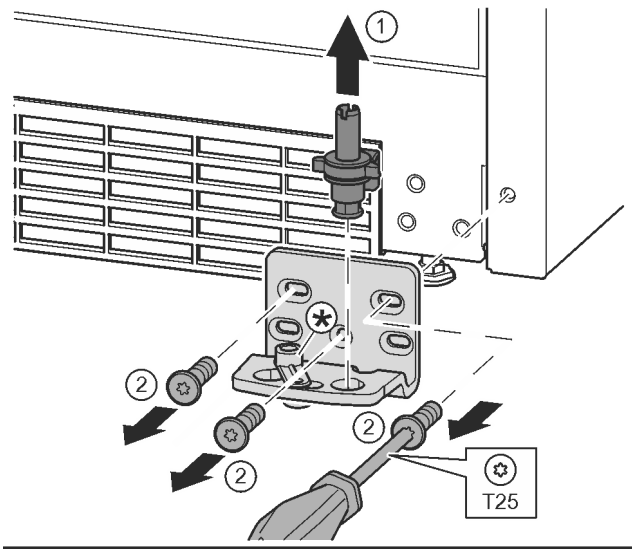


Fig. 16

- ▶ Lift the bearing pin completely upward and remove. Fig. 16 (1)
- ▶ Undo the screws with a T25 screwdriver and remove the bearing bracket Fig. 16 (2)

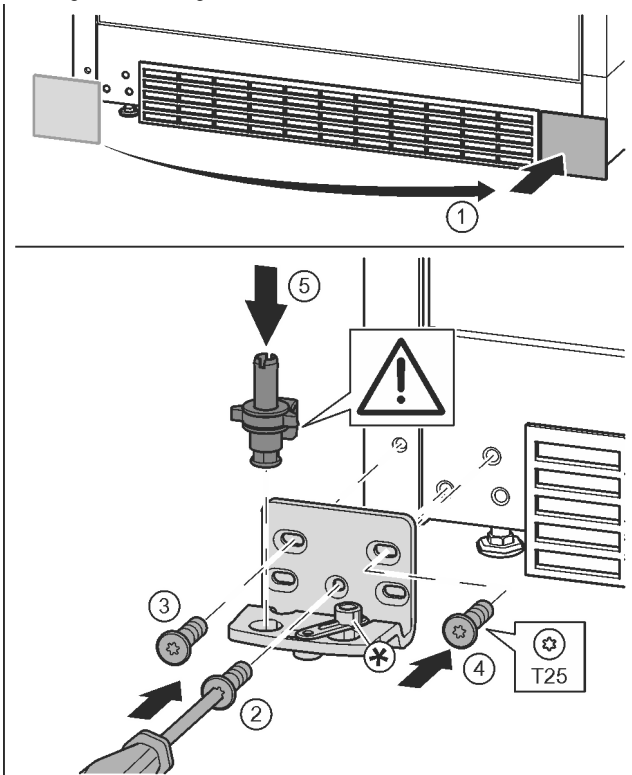


Fig. 17

- ▶ Remove the cover and fix it on the other side. Fig. 17 (1)
- ▶ Place the bearing bracket on the other side and screw in with the aid of a T25 screwdriver. Start with screw 2 at the bottom in the middle. Fig. 17 (2)
- ▶ Screw in screws 3 and 4. Fig. 17 (3, 4)
- ▶ Insert the bearing pin completely. Make sure that the catch mechanism is pointing to the rear. Fig. 17 (5)

4.3.5 Moving the handles to the other side

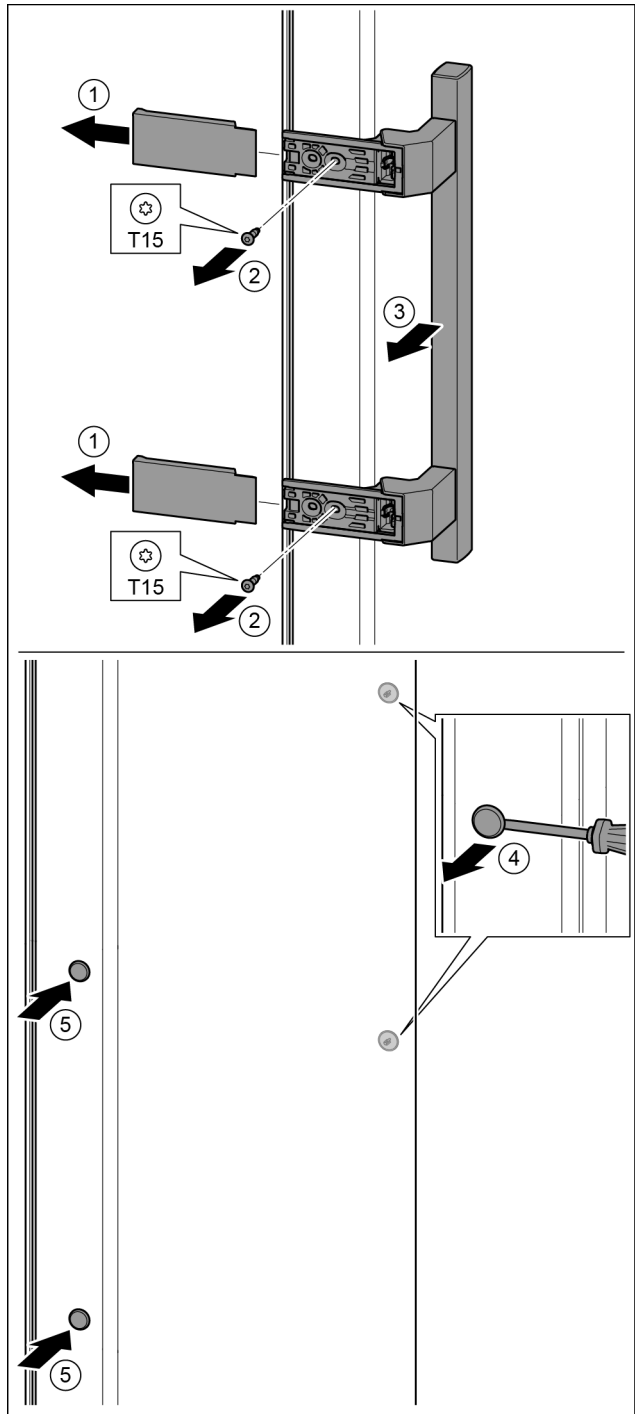


Fig. 18

- ▶ Pull off the cover. Fig. 18 (1)
- ▶ Remove the screws with the T15 screwdriver. Fig. 18 (2)
- ▶ Remove the handle. Fig. 18 (3)
- ▶ Carefully lift up the side plugs with a slotted screwdriver and pull them out. Fig. 18 (4)
- ▶ Insert the plugs again on the other side. Fig. 18 (5)

Putting into operation

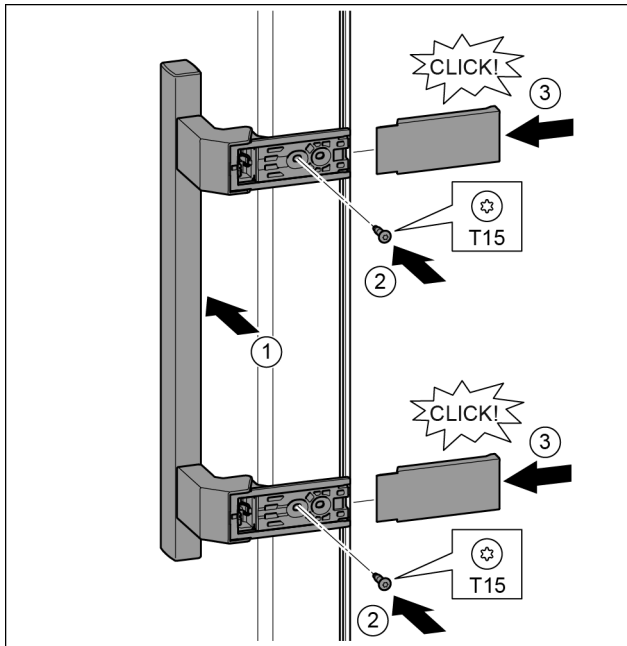


Fig. 19

- ▶ Position the handle on the other side. Fig. 19 (1)
- ▷ The screw holes must be exactly above each other.
- ▶ Tighten the screws with the T15 screwdriver. Fig. 19 (2)
- ▶ Position the covers on the side and push in. Fig. 19 (3)
- ▷ Ensure that it clicks into place.

4.3.6 Fitting the door

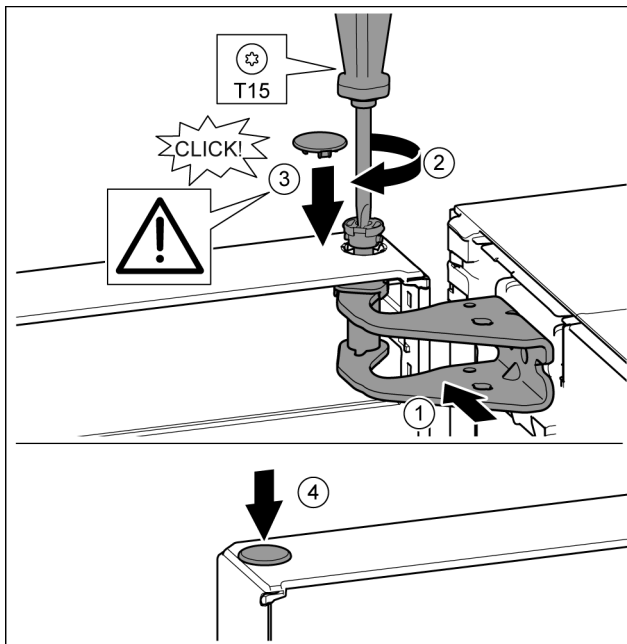


Fig. 20

- ▶ Place the door on the lower bearing pins.
- ▶ Align the top of the door with opening in the bearing bracket. Fig. 20 (1)
- ▶ Insert the bolt and tighten with a T15 screwdriver. Fig. 20 (2)
- ▶ Fit the protective cover to protect the door: Insert the protective cover and check that it is attached to the door. If not, insert the bolt fully. Fig. 20 (3)
- ▶ Insert the plugs. Fig. 20 (4)

4.3.7 Aligning the door



WARNING

Risk of injury due to the door dropping out!

If the bearing parts are not screwed into place firmly enough, the door may drop out. This may lead to severe injuries. What is more, the door may not close and therefore the appliance may fail to cool properly.

- ▶ Screw the turn hinges firmly into place with 4 Nm.
 - ▶ Check all of the screws and retighten if necessary.
-
- ▶ Align the doors flush with the appliance housing using the two oblong holes in the lower bearing bracket if needed. To do this undo the middle screw in the bottom bearing bracket with the T25 tool supplied. Undo the remaining screws a little with the T25 tool or with a T25 screwdriver and align using the slotted holes.
 - ▶ Support the door: Take off the adjustable foot on the bearing bracket using the open-ended wrench SW10 until it comes into contact with the floor, then turn an additional 90°.

4.3.8 Fit the soft stop mechanism

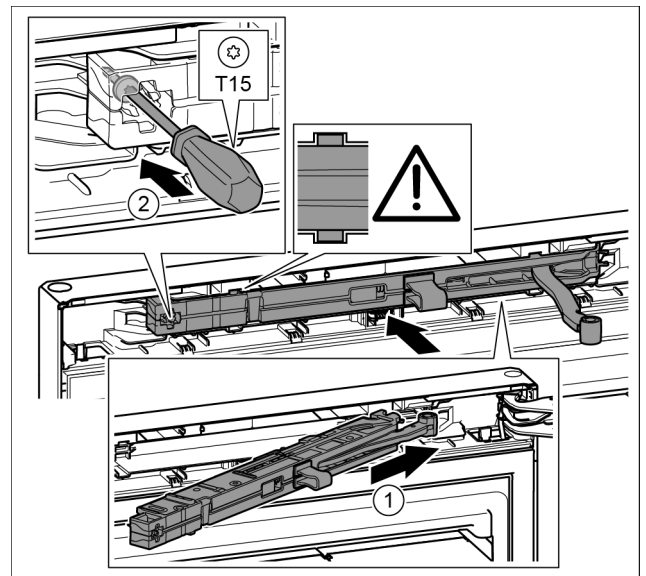


Fig. 21

- ▶ Slide the soft stop mechanism on the bearing bracket side at an angle into the slot as far as the limit stop. Fig. 21 (1)
- ▶ Slide the unit in fully.
- ▷ The unit is positioned correctly when the rib on the soft stop mechanism is in the guide in the housing.
- ▶ Tighten the screw with the T15 screwdriver. Fig. 21 (2)

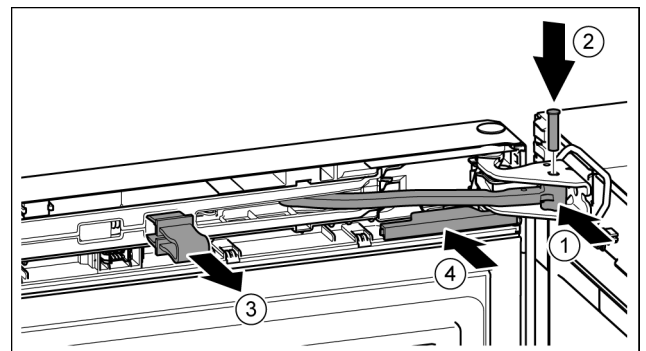


Fig. 22

The door is open 90°.

- ▶ Turn the hinge in the bearing bracket. Fig. 22 (1)

- ▶ Insert the bolt in the bearing bracket and hinge. Make sure that the catch mechanism is sitting correctly in the groove. *Fig. 22 (2)*
- ▶ Remove the locking device. *Fig. 22 (3)*
- ▶ Slide on the cover. *Fig. 22 (4)*

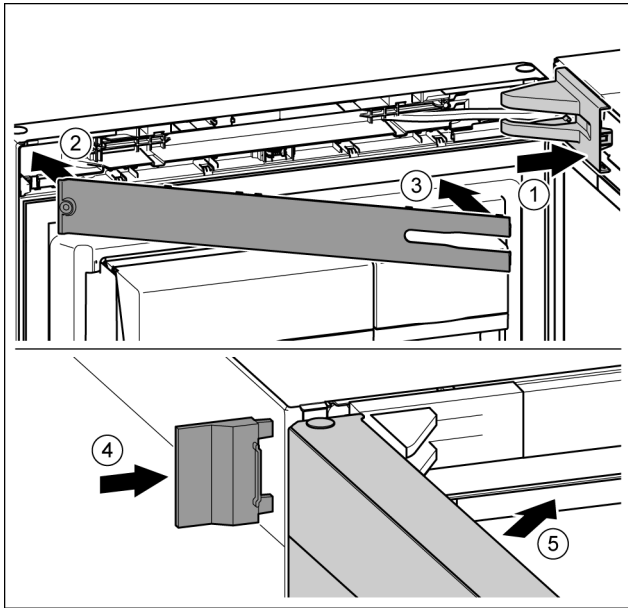


Fig. 23

- ▶ Position the bearing bracket and engage. If necessary push apart carefully. *Fig. 23 (1)*
- ▶ Position the panel. *Fig. 23 (2)*
- ▶ Swing in the panel and click into place. *Fig. 23 (3)*
- ▶ Slide on the external cover. *Fig. 23 (4)*
- ▶ Close the upper door. *Fig. 23 (5)*

4.4 Sliding into the row of units

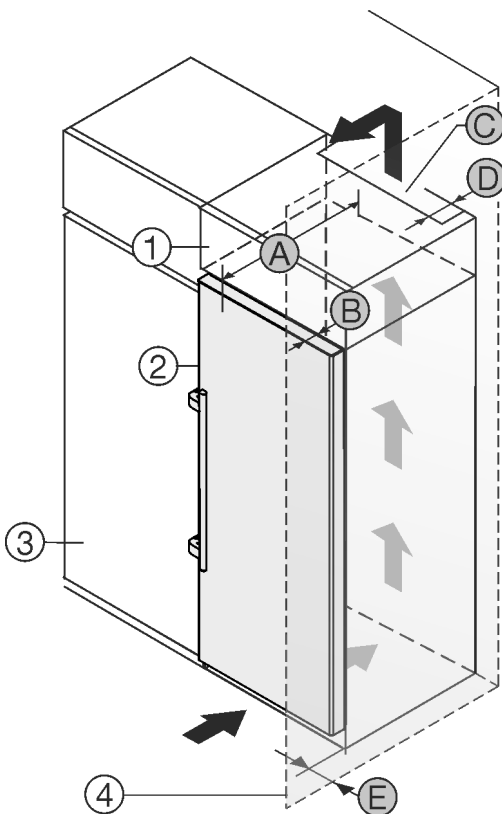


Fig. 24

A [mm]	B [mm]	C [cm ²]	D [mm]	E [mm]
665 ^x	65	min. 300	min. 50	min. 46

^x If using wall spacers, add 15 mm (see 4.2 Installing the appliance).

These dimensions apply to an opening angle of 90°. Clearances vary depending on the opening angle.

Please contact Customer Services to purchase a kit to limit the door opening angle to 90° for appliances with soft-closing devices.

The appliance can be built into kitchen units. A top cupboard *Fig. 24 (2)* can be added above the appliance in order to bring the appliance *Fig. 24 (1)* up to the height of the fitted kitchen units.

When inserting the appliance into the kitchen unit, there must be a **circumferential distance of at least 5cm**.

If the appliance is positioned directly next to a kitchen cabinet *Fig. 24 (3)*, a distance of at least 5 cm from the appliance is necessary. The appliance must protrude by the depth *Fig. 24 (B)* from the front of the cabinet so that the doors can be opened fully. The appliance may protrude further depending on the depth of the kitchen cabinets and whether wall spacers are used.

NOTICE

Danger of overheating due to insufficient air ventilation! The compressor may be damaged if there is insufficient air ventilation.

- ▶ Take care to ensure adequate air ventilation.
- ▶ Observe the ventilation requirements.

Ventilation requirements:

- There are spacer fins at the back of the appliance to provide adequate ventilation. Make sure these do not end up in recesses or openings.
- At the back of the top cabinet, there must be an air outlet shaft with depth *Fig. 24 (D)*, spanning the entire width.
- The ventilation shaft *Fig. 24 (C)* must be observed under the ceiling.
- The wider the ventilation clearance, the more efficiently the appliance will run.

If the appliance is installed with the hinges next to a wall *Fig. 24 (4)*, the distance *Fig. 24 (E)* between the appliance and the wall must be observed. This is how far the handle protrudes when the door is open.

4.5 Disposing of packaging



WARNING

Danger of suffocation due to packing material and plastic film!

- ▶ Do not allow children to play with packing material.

The packaging is made of recyclable materials:

- corrugated board/cardboard
- expanded polystyrene parts
- polythene bags and sheets
- polypropylene straps
- nailed wooden frame with polyethylene panel*

- ▶ Take the packaging material to an official collecting point.



Putting into operation

4.6 Connecting the appliance



WARNING

Failure to connect properly
Fire hazard.

- ▶ Do not use an extension cable.
- ▶ Do not use distributor blocks.

NOTICE

Failure to connect properly
Damage to the electronics.

- ▶ Do not connect the appliance to a stand-alone inverter, e.g. solar power systems and petrol generators.
- ▶ Do not use an energy saving plug.

Note

Only use the power connection lead supplied.

- ▶ A longer power connection lead can be ordered from Customer Service.

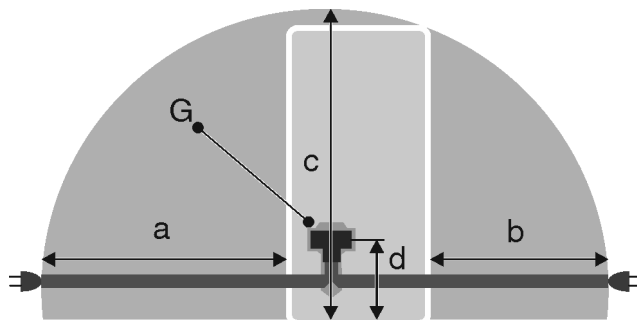


Fig. 25

a	b	c	d	G
~ 1800 mm	~ 1400 mm	~ 2100 mm	~ 200 mm	Appliance plugs

Ensure that the following conditions are met:

- The type of current and voltage at the installation site correspond to the information on the model plate (see 1 Appliance at a glance).
- The socket is earthed according to the regulations and fused.
- The fuse tripping current is between 10 and 16 A.
- The socket is easily accessible.
- The socket is outside the back of the appliance area in the specified area Fig. 25 (a, b, c).
- ▶ Check the electrical connection.
- ▶ Insert the appliance plug Fig. 25 (G) into the back of the appliance. Ensure that it clicks into place.
- ▶ Connect the power plug to the power supply.
- ▷ The Liebherr logo appears on the screen.
- ▷ The display switches to the standby symbol.

4.7 Switching on the appliance

Note

If the appliance is in demo mode, DEMO appears on the homescreen.

- ▶ Disable demo mode (see 7 Malfunctions).

Connect and switch on appliance approx. 10 hours before loading it for the first time.

4.7.1 Switch on appliance

If the standby symbol is displayed over the whole screen:

- ▶ Press the standby symbol.

- ▷ The appliance is switched on. The display switches to the home screen.
- ▷ The appliance sets itself to the displayed temperature. This is shown by down arrows.

If the standby symbol is displayed in the fridge compartment and biofresh field:

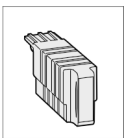
- ▶ Press the standby symbol.
- ▷ The appliance is switched on.
- ▷ The appliance sets itself to the displayed temperature. This is shown by down arrows.

If the screen is black:

- ▶ Touch the screen.
- ▷ The standby symbol appears on the whole screen.
- ▶ Press the standby symbol.
- ▷ The appliance is switched on. The display switches to the home screen.
- ▷ The appliance sets itself to the displayed temperature. This is shown by down arrows.

4.8 SmartDevice box

SmartDevice box: Start-up instructions www.smartdevice.liebherr.com/install



If the **SmartDevice box** (SDB) is inserted correctly the menu below appears. The device is supplied with WLAN activated. To use more WiFi options, open the WIFI menu.



Fig. 26

- ▶ Press **WIFI**.
- ▷ The **WIFI** menu opens.

Turning on/off WiFi

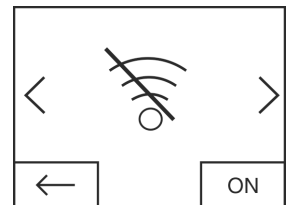


Fig. 27

- ▶ Use the slider at the bottom right to turn on/off **WIFI**
- ▷ Slider to OFF = **WIFI** is disabled.
- ▷ Slider to ON = **WIFI** is enabled.

WIFI INFO

Call up the status of the **SmartDevice box**.

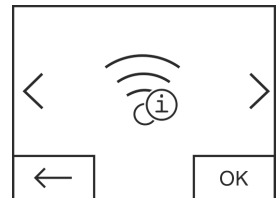


Fig. 28

- ▶ Press the **OK** button.
- ▷ The **WIFI INFO** screen opens.
- ▷ The following statuses can be displayed:

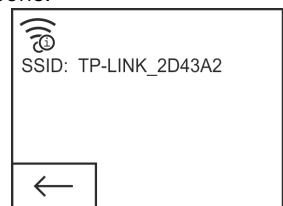


Fig. 29

- ▷ SSID: *****WPS***** = The **SmartDevice box** is in **WPS mode** for 3 minutes. An automatic connection to the **SmartDevice box** can be established via the router.

- ▶ SSID: LHSDB_XXXXXXXX = the **SmartDevice box** is in **manual connection mode** for 30 minutes. The **SmartDevice box** transmits a private network to which you can connect to send WLAN data.
- ▶ SSID: empty = The **SmartDevice box** is in **sleep mode**. Please reset the **WiFi** and connect your **SmartDevice box** to the home network.
- ▶ SSID: TP-LINK_2D43A2 or Fritz!Box7069 = The **SmartDevice box** is connected to the home network.

WiFi RESET

Resetting the **SmartDevice box** to the default settings.

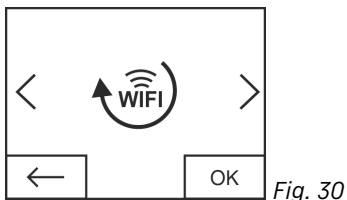


Fig. 30

- ▶ Confirm with **OK**.
- ▶ The **SmartDevice box** is reset to the default settings.

Showing the WiFi status on the Home screen

Status: **WiFi on & connected**

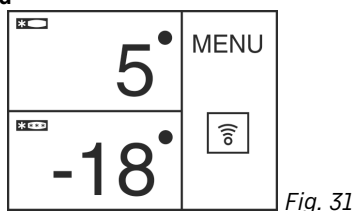


Fig. 31

- ▶ The **WiFi indicator** is white.
- ▶ WiFi is on.
- ▶ The home network and the Liebherr server are connected.

Status: **WiFi on & connecting**

- ▶ The **WiFi display** shows a clock.

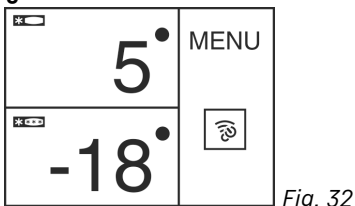


Fig. 32

- ▶ WiFi is on.
- ▶ There is no connection to the home network and/or the Liebherr server.

Status: **WiFi on & disconnected**

- ▶ The **WiFi display** shows a warning sign.

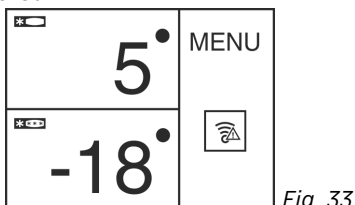


Fig. 33

- ▶ WiFi is on.
- ▶ The **SmartDevice box** is either not connected to a network or the **SmartDevice box** is connected to a network but the network cannot be found, e.g. switched off at night.

4.9 Inserting the FreshAir filter.

The supplied FreshAir filter can be used for optimum air quality.

The intake is located at the top of the appliance, (see 1 Appliance at a glance)

- ▶ Remove cover.

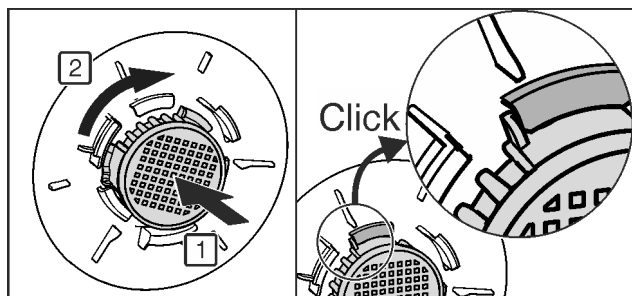
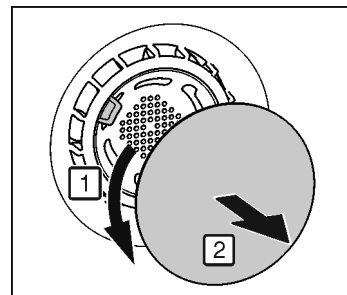


Fig. 34

- ▶ FreshAir-Insert the filter in the cover and turn it clockwise.
- ▶ Ensure that the filter clicks into place.
- ▶ Replace the cover again.

Setting the timer

- ▶ Press menu.
- ▶ Press the navigation arrows until the FreshAir filter is displayed.
- ▶ Press the FreshAir filter symbol.
- ▶ Press ON.
- ▶ The timer is set. After the interval has expired a message prompts you to change the FreshAir filter.



4.10 Setting the clean ventilation grid timer

The ventilation grid must be cleaned at least once a year for sufficient ventilation. The timer can be set as a reminder.

- ▶ Press menu.
- ▶ Press the navigation arrows until the ventilation grid is displayed.
- ▶ Press the ventilation grid symbol.
- ▶ Press ON.
- ▶ The timer is set. After the interval has expired a message prompts you to clean the ventilation grid.

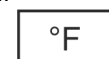


5 Control

5.1 Changing the temperature unit

The temperature display can be switched from °C to °F.

- ▶ Press menu.
- ▶ Press the navigation arrow until °C is displayed.
- ▶ Press °F.
- ▶ The temperature is displayed in °F.



Switch from °F to °C in the same way.

5.2 Child proofing

The child-proofing function enables you to make sure that the appliance is not inadvertently switched off by playing children.



Control

5.2.1 Switching on the child safety device

- ▶ Press menu.
- ▶ Press the navigation arrows until the child safety device is displayed.
- ▶ Press ON.
- ▷ The child safety device is switched on.



5.2.2 Switching the child safety device off

- ▶ Press menu.
- ▶ Press the navigation arrows until the child safety device is displayed.
- ▶ Press OFF.
- ▷ The child safety device is switched off.



5.3 SabbathMode

This function meets the religious requirements on the Sabbath or Jewish festivals. Turn on SabbathMode to switch off certain controls. After setting up SabbathMode, you no longer need to worry about indicator lights, figures, symbols, displays, alarms or fans. The thawing cycle only works for the specified time without taking account of fridge use. After a power cut the appliance automatically returns to SabbathMode.

There is a list of Star-K certified appliances at www.star-k.org/appliances.



WARNING

Danger of food poisoning.

If there is a power cut while the appliance is in SabbathMode, this message is not saved. Once power is restored, the appliance continues in SabbathMode. When this mode is over no message about the power cut is displayed on the temperature display.

If there was a power cut during SabbathMode:

- ▶ Check the food for quality. Do not eat the food if it has thawed.

- All functions are locked until SabbathMode is switched off.
- If functions such as SuperFrost, SuperCool, Ventilation, etc. are activated when SabbathMode is on, they remain active.
- No audible signals are emitted and the temperature display does not indicate any warnings or settings (such as a temperature alarm or door alarm).
- The internal light is off.

5.3.1 Switching SabbathMode on.

- ▶ Press menu.
- ▶ Press the navigation arrow until SabbathMode is displayed.
- ▶ Press ON.
- ▷ SabbathMode is switched on. Only the SabbathMode symbol appears on the screen.



SabbathMode switches off automatically after 120 hours if it has not already been switched off manually. The display switches to the home screen.

5.3.2 Switch off the SabbathMode

- ▶ Touch the screen.
- ▶ Press OFF.
- ▷ SabbathMode is switched off.



5.4 Refrigerator compartment

Different temperature ranges are set in the fridge compartment because of the natural air circulation. The coldest area is directly above the separating plate between the fridge compartment and the Biofresh area. The warmest area is at the top front and in the door.

5.4.1 Refrigerating food

Note

The energy consumption increases and the cooling performance decreases if the ventilation is inadequate.

- ▶ Always keep the air slits of the fan free.

- ▶ Place butter and preserves in the top area and in the door. (see 1 Appliance at a glance)
- ▶ Use reuseable plastic, metal, aluminium, glass containers and foil wrap to store food.
- ▶ Always store raw meat and fish in clean, sealed containers on the bottom shelf of the refrigerator, to prevent them coming into contact with or dripping onto other foods.
- ▶ Foods that easily absorb or give off smell or taste, as well as liquids, should be stored in sealed containers or covered.
- ▶ Use the front area of the base shelf only to temporarily set down refrigerated foods, for example while rearranging or sorting the contents. Remember not to leave refrigerated foods here as they could shift to the back or tip over when you close the door.
- ▶ Do not pack foods too closely together, as the air needs to circulate.

5.4.2 Setting the temperature

The temperature depends on the following factors:

- the frequency of opening the door
- how long the door is open for
- the room temperature of the installation location
- the type, temperature and quantity of the food

The temperature can be set from 9 °C to 2 °C.

Recommended temperature setting: 5 °C

- ▶ Press the fridge compartment field.
- ▷ The following screen is displayed:

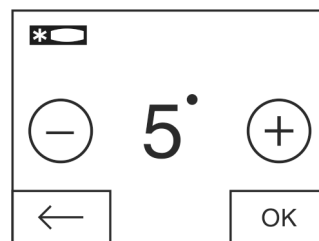


Fig. 35

Setting a higher temperature:

- ▶ Press plus.

Setting a lower temperature:

- ▶ Press minus.



The minus symbol is greyed out when the coldest temperature is selected.

The plus symbol is greyed out if it is pressed again after selecting the hottest temperature. The standby symbol is displayed on the screen.

- ▶ Confirm the required temperature with OK.

- ▷ The display switches to the home screen.
- ▷ The selected temperature is displayed.
- ▷ Up or down arrows indicate the change in temperature. The arrows are greyed out when the target temperature is reached.


5.4.3 SuperCool

With SuperCool you switch to the highest cooling performance to reach lower cooling temperatures. Use SuperCool, to rapidly cool large amounts of food.  11:27h 

When SuperCool is activated, the fan* may run. The appliance operates with maximum cooling performance, which means that the noise of the refrigeration unit may be temporarily louder.

The SuperCool function uses slightly more energy.

Switching on SuperCool

- ▶ Press menu.
- ▶ Press the navigation arrow until SuperCool is displayed. 
- ▶ Press the SuperCool symbol.
- ▷ The following screen is displayed:

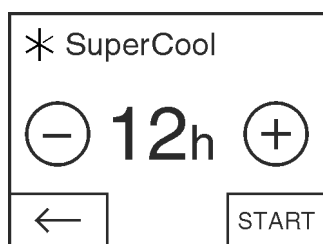



Fig. 36

The running time can be set to four levels.



Setting the running time:

- ▶ Press plus or minus.
- The minus symbol is greyed out when the lowest level is selected.
- The plus symbol is greyed out when the highest level is selected.
- ▶ Confirm the required running time with START.
- ▷ The display switches to the home screen.
- ▷ SuperCool is selected. 
- ▷ The remaining running time and the SuperCool symbol are displayed in the fridge compartment field.
- ▷ The lowered temperature is shown by the down arrows.
- ▷ After the remaining running time has elapsed the appliance returns to normal mode. The temperature is set to the preset value again. Up arrows show the temperature increase.


Switching SuperCool off ahead of schedule


- ▶ Press menu.
- ▶ Press the navigation arrow until SuperCool and the remaining running time are displayed.
- ▶ Press on the remaining running time.
- ▶ Press STOP.
- ▷ SuperCool is switched off.
- ▷ The temperature is set to the preset value again. Up arrows show the temperature increase.

5.4.4 Holiday mode

The holiday mode saves energy and prevents odour from occurring when the door of the refrigerator compartment stays closed for a lengthy period.  


Switching on the Holiday function

- ▶ Remove all food as otherwise it will spoil.
- ▶ Press menu.
- ▶ Press the navigation arrow until you see the Holiday function. 
- ▶ Press ON.

- ▷ The Holiday function is on. 

- ▷ The Holiday function symbol appears in the fridge compartment field and the biofresh field.

Switching off the Holiday function

- ▶ In the fridge compartment field, press the Holiday function symbol. 
- ▷ The Holiday function is off.
- ▷ The temperature is set to the preset value again. Down arrows show the temperature reduction.

5.4.5 Shelves

Moving or removing shelves

The shelves are prevented from being pulled out accidentally by pull out stops.

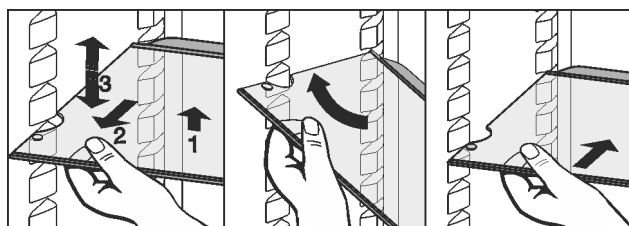
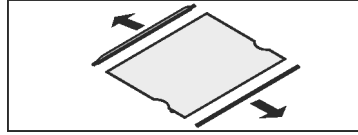


Fig. 37

- ▶ Lift the shelf and pull forward a little.
- ▶ Adjust the height of the shelf. To do this move the slots along the supports.
- ▶ In order to remove the shelf fully, place it at a slant and pull out towards the front.
- ▶ Insert shelf with the raised edge pointing upwards at the back.
- ▷ The food does not freeze onto the rear wall.
- ▷ Food is prevented from falling out.

When storing and removing food on the top shelf, please pay attention to the fold-out interior lighting.

Dismantling shelves

- ▶ The shelves can be dismantled for cleaning. 

5.4.6 Using the sectioned shelf

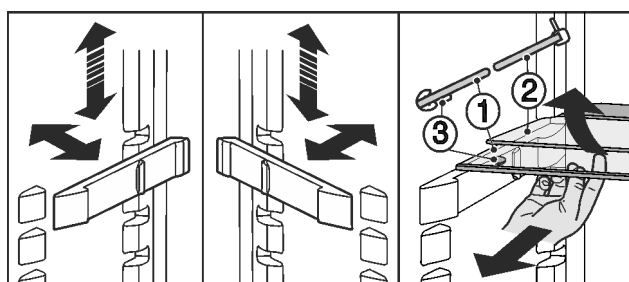


Fig. 38

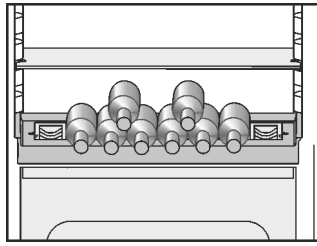
- Adjusting the height:
 - ▶ Pull the glass plates out forwards one by one.
 - ▶ Remove the support from the catch mechanism and click into place at the required height.
- Using both shelves:
 - ▶ Lift the top glass plate and pull the bottom glass plate forwards.
 - ▷ The glass plate (1) with the pull out stops must be at the front so that the stops (3) point downward.

Control

5.4.7 Using adjustable bottle shelf

At the base of the refrigerator compartment, the integrated bottle shelf or alternatively the glass shelf can be used:

- ▶ Using the bottle shelf: to save space, store the glass shelf under the bottle shelf.
- ▶ Place the bottles with the base pointing backwards facing the rear wall. If the bottles project beyond the bottle shelf:
- ▶ set the lower door rack one position higher.



5.4.8 VarioSafe

The VarioSafe provides space for small items of food and packages, tubes and jars.

Using VarioSafe

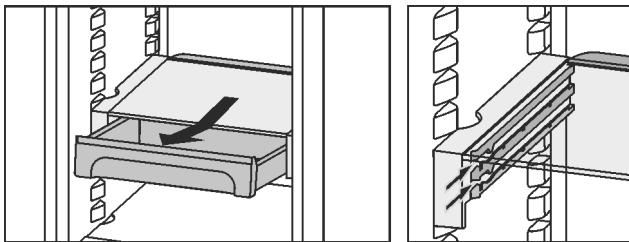
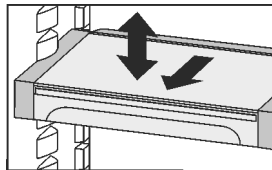
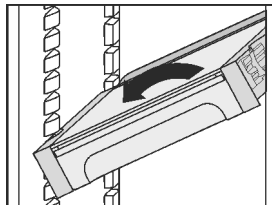


Fig. 39

- ▶ The VarioSafe drawer can be taken out and pushed in at two different heights.
- ▶ The VarioSafe can also be height-adjusted as a whole.



- ▶ To remove them completely, set them at an angle and pull towards you.



Dismantling VarioSafe

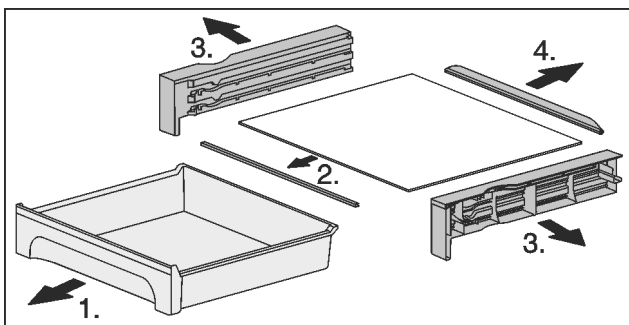


Fig. 40

- ▶ The VarioSafe can be dismantled for cleaning.

5.4.9 Door racks

Moving the storage rack

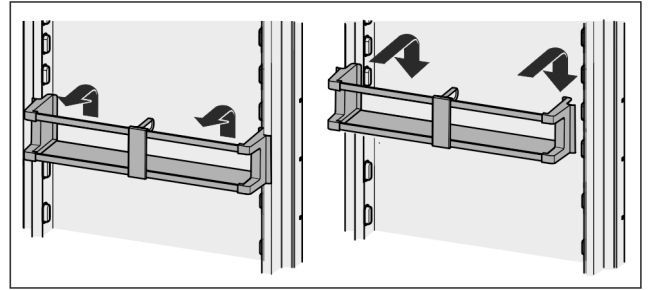
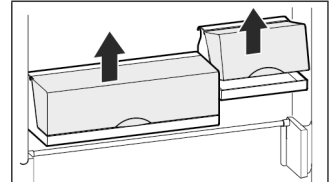


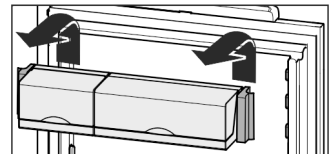
Fig. 41

The boxes can be removed and placed on the table as a single unit.



Either one or both the boxes can be used. If particularly tall bottles are to be stored, hang only a single box above the bottle rack.

- ▶ Re-positioning the boxes: Lift them for removal and re-position them as required.



Note

Food items in the upper door area that are too tall can lead to contact with the interior lighting.

When closing the door, take care to ensure

- ▶ that the lid of the package rack is closed, or
- ▶ that when food is stored on the upper door rack a distance of 30 mm to the appliance ceiling is maintained.

Dismantling door racks

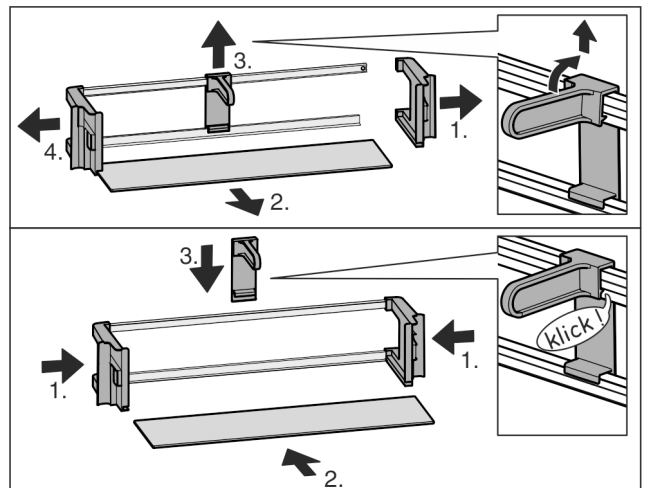


Fig. 42

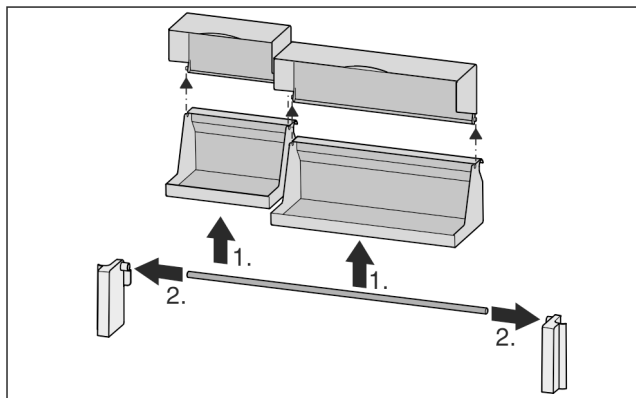
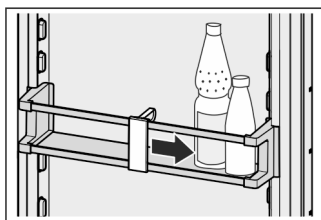


Fig. 43

- The door racks can be dismantled for cleaning.

5.4.10 Using the bottle holder

- To avoid the bottles tipping over, push the bottle holder along.



5.4.11 Butter dish

Opening/closing the butter dish

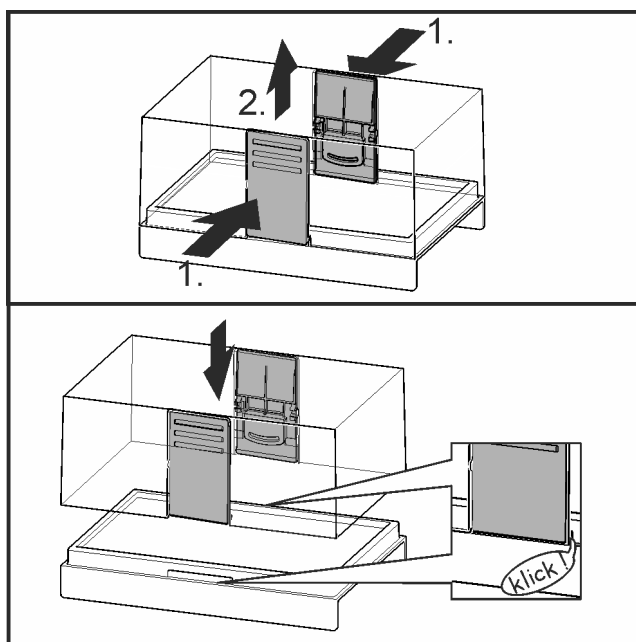


Fig. 44

Dismantling the butter dish

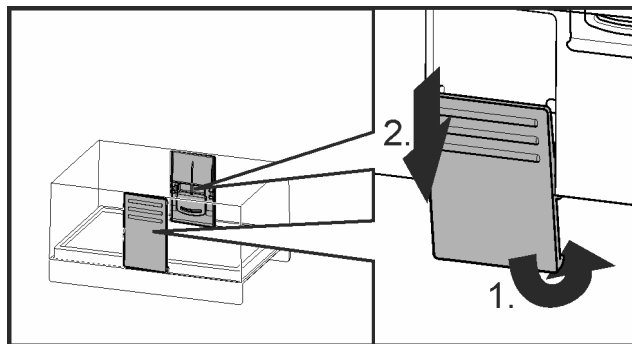
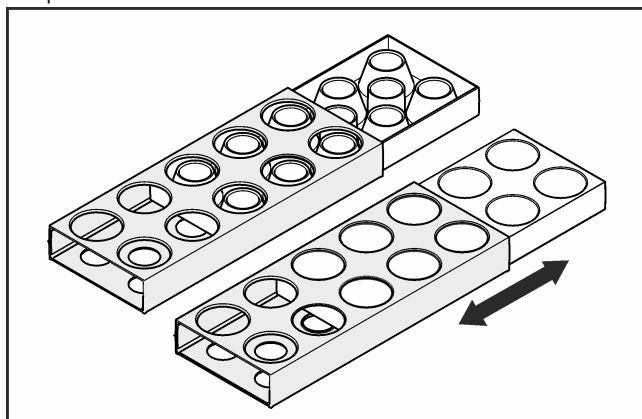


Fig. 45

- You can take the butter dish apart for cleaning.

5.4.12 Egg tray

You can take out and rotate the egg tray. You can use the two parts of the egg tray to mark different use-by dates, for example.



- Use the top part to store e.g. chicken eggs.
- Use the bottom part to store quails' eggs.

5.5 BioFresh compartment

In the BioFresh section, certain fresh foods can be kept fresh for longer compared to conventional cooling methods.

For food with an indicated best before date, the date specified on the packaging always applies.

If the temperature falls below 0 °C, foodstuffs can freeze.

5.5.1 DrySafe

The DrySafe is suitable for storing dry or wrapped food (e.g. dairy products, meat, fish, sausages). A relatively dry storage climate is established here.

5.5.2 Fruit & Vegetable safe

The humidity in the Fruit & Vegetable safe depends on the moisture content of the items being stored and the number of times the door is opened. You can set the humidity yourself.

On the high moisture setting, the Fruit & Vegetable safe is suitable for storing loose salad, vegetables and fruit with a high moisture content. A well-stocked drawer is stored in absolute freshness.

Control

5.5.3 Setting the moisture level in the Fruit & Vegetable safe

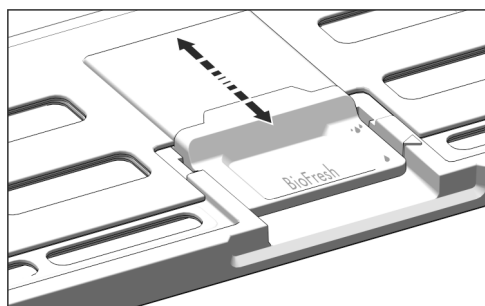




Fig. 46

You can choose any moisture setting for the Fruit & Vegetable safe.

- ▶  Low humidity: Slide the slide bar backwards.
- ▷ The openings in the cover are partially or fully open. The moisture levels drop in the Fruit & Vegetable safe.
- ▶  High humidity: Slide the slide bar forwards.
- ▷ The openings in the cover are partially or fully closed. The moisture levels rise in the Fruit & Vegetable safe.

5.5.4 Storing food

Note

- ▶ Do not put the following in the BioFresh section: cold-sensitive vegetables including cucumbers, aubergines, tomatoes, courgettes and any cold-sensitive tropical fruits.

- ▶ To prevent food spoilage due to transfer of germs: Store unwrapped animal and vegetable products separate from one another in the drawers. This also applies to different sorts of meat.

If food has to be stored together due to lack of space:

- ▶ wrap the food.
- ▶ Storing high-moisture content foods: shake off the moisture beforehand.
- ▶ If there is too much moisture in the compartment:
- ▶ select the low moisture setting.

-or-

- ▶ Remove any excess moisture with a cloth.

5.5.5 Storage times

Guideline for the shelf-life with low air humidity at 0 °C			
Butter	up to	90	days
Hard cheese	up to	110	days
Milk	up to	12	days
Cold meats	up to	9	days
Poultry	up to	6	days
Pork	up to	7	days
Beef	up to	7	days
Game	up to	7	days

Note

- ▶ Please note that protein-rich food deteriorates faster, i.e. shellfish and crustaceans deteriorate faster than fish, fish faster than meat.

Guideline for the shelf-life with high air humidity at 0 °C

Vegetables, salads

Guideline for the shelf-life with high air humidity at 0 °C

Artichokes	up to	14	days
Celery	up to	28	days
Cauliflower	up to	21	days
Broccoli	up to	13	days
Chicory	up to	27	days
Leaf lettuce	up to	19	days
Peas	up to	14	days
Kale	up to	14	days
Carrots	up to	80	days
Garlic	up to	160	days
Cabbage	up to	55	days
Round lettuce	up to	13	days
Herbs	up to	13	days
Leeks	up to	29	days
Mushrooms	up to	7	days
Radishes	up to	10	days
Sprouts	up to	20	days
Asparagus	up to	18	days
Spinach	up to	13	days
Savoy cabbage	up to	20	days

Fruit

Apricots	up to	13	days
Apples	up to	80	days
Pears	up to	55	days
Blackberries	up to	3	days
Dates	up to	180	days
Strawberries	up to	7	days
Figs	up to	7	days
Blueberries	up to	9	days
Raspberries	up to	3	days
Red currants	up to	7	days
Cherries, sweet	up to	14	days
Kiwis	up to	80	days
Peaches	up to	13	days
Plums	up to	20	days
Cranberries	up to	60	days
Rhubarb	up to	13	days
Gooseberries	up to	13	days
Grapes	up to	29	days

5.5.6 Setting the temperature in the BioFresh compartment.

Recommended refrigerator setting: 5 °C. The BioFresh temperature is controlled automatically and is between 0 °C and 3 °C.

The temperature can be set slightly colder or slightly warmer. The temperature can be set from level 1 (lowest temperature) to level 9 (highest temperature). The default setting is level 5. With levels 1 - 4 the temperature can drop to below 0 °C so that the food can freeze.

- ▶ Press menu.
- ▶ Press the navigation arrow until BioFresh is displayed.

BioFresh



- ▶ Press .
- ▶ The following screen is displayed:

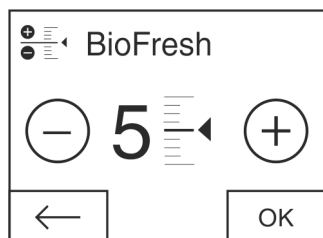


Fig. 47

- ▶ Setting the level: Press plus or minus.

The minus symbol is greyed out when the lowest level is selected.

The plus symbol is greyed out when the highest level is selected.

- ▶ Confirm the required level with OK.

- ▶ The display switches to the home screen.
- ▶ The BioFresh temperature is changed to the new value.

5.5.7 Drawers with cushioners

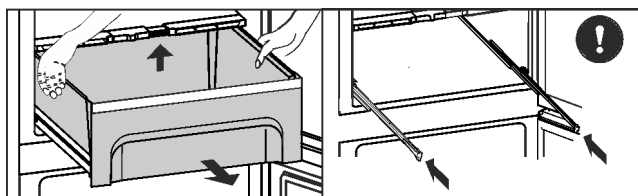


Fig. 48

- ▶ Pull out the drawer, lift it at the back and draw it forwards for removal.
- ▶ Push the rails in again!

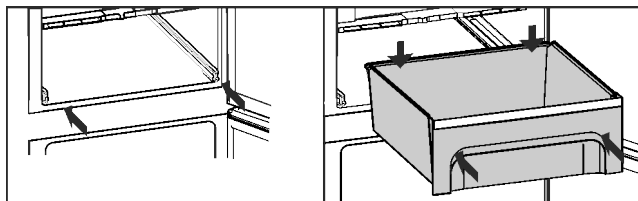


Fig. 49

- ▶ Push the rails in.
- ▶ Attach the drawer and push it in until it engages audibly at the back.

5.5.8 Fruit & Vegetable safe cover

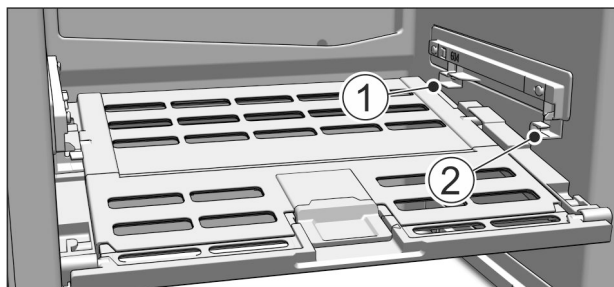


Fig. 50

- ▶ Removing the Fruit & Vegetable safe cover: After pulling out the drawers, carefully pull the cover towards you and down.
- ▶ Replacing the Fruit & Vegetable safe cover: Guide the ridges on the cover into the rear brackets Fig. 50 (1) and click it into the front bracket Fig. 50 (2).

6 Maintenance

6.1 Change the FreshAir filter.

The FreshAir filter guarantees optimum air quality. It should be changed every 12 months. When the timer is set a message on the display prompts you to change it. The FreshAir filter can be ordered from the specialist dealer. Change FreshAir filter is displayed.

- ▶ Press the change FreshAir filter symbol
- ▶ The display switches to the home screen.

The message can be displayed again by pressing on the menu field until the filter has been changed and confirmed. (see 8 Messages) .

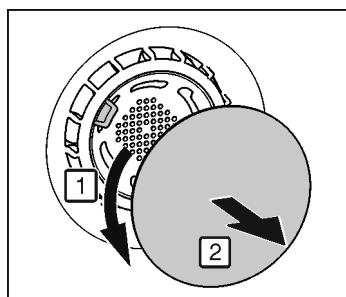


Fig. 51

- ▶ Remove cover.

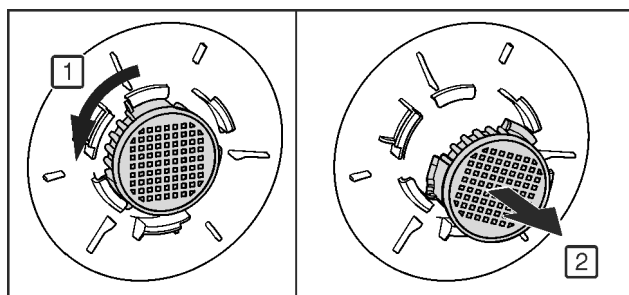


Fig. 52

- ▶ Remove the FreshAir filter.
- ▶ Insert the new filter in the reverse order.
- ▶ Ensure that the filter clicks into place.
- ▶ Replace the cover again.

Confirming the filter change

- ▶ Press menu.
- ▶ Press the navigation arrows until the FreshAir filter is displayed.
- ▶ Press the FreshAir filter symbol.
- ▶ Press the navigation arrows until change FreshAir filter is displayed.

- ▶ Press RESET.
- ▶ The timer is reset. The change interval starts all over again.

Turning the timer off

If a new FreshAir filter is not inserted the timer can be turned off

- ▶ Press menu.
- ▶ Press the navigation arrows until the FreshAir filter is displayed.
- ▶ Press the FreshAir filter symbol.
- ▶ Press OFF.
- ▶ The timer is turned off.

Maintenance

6.2 Defrosting

6.2.1 Defrosting refrigerator compartment

The fridge compartment defrosts automatically. The defrosted water will evaporate. Water drops or a thin layer of frost or ice can form on the back wall; this is a completely normal part of the machine's function.

6.3 Cleaning the ventilation grid

The ventilation grid ensures that the appliance works properly due to optimum aeration and ventilation.

▶ Clean the ventilation grid regularly with a vacuum cleaner.

▶ Remove stubborn stains with a soft cloth.

When the timer is set a message on the display prompts you to clean it. The clean ventilation grid symbol appears on the screen.

▶ Press the clean ventilation grid symbol.

▷ The display switches to the home screen.



The message can be displayed again by pressing the menu field until it has been cleaned and this has been confirmed. (see 8 Messages) .

Confirming that the ventilation grid has been cleaned

▶ Press menu.

▶ Press the navigation arrows until the ventilation grid is displayed.

▶ Press the ventilation grid symbol.

▶ Press the navigation arrows until clean ventilation grid is displayed.



▶ Press RESET.

▷ The timer is reset. The cleaning interval starts all over again.



Turning the timer off

If the reminder function is to be switched off the timer can be turned off.

▶ Press menu.

▶ Press the navigation arrows until the ventilation grid is displayed.

▶ Press the ventilation grid symbol.

▶ Press OFF.

▷ The timer is turned off.



6.4 Cleaning the appliance

Clean the appliance regularly.



WARNING

Risk of injury and damage as a result of hot steam! Hot steam can lead to burns and can damage the surfaces.

▶ Do not use any steam cleaners!

NOTICE

Incorrect cleaning damages the appliance!

- ▶ Do not use cleaning agents in concentrated form.
- ▶ Do not use any scouring or abrasive sponges or steel wool.
- ▶ Do not use any sharp or abrasive cleaning agents, nor any that contain sand, chloride or acid.
- ▶ Do not use chemical solvents.
- ▶ Do not damage or remove the type plate on the inside of the appliance. It is important for the customer service.
- ▶ Do not pull off, bend or damage cables or other components.
- ▶ Do not allow any cleaning water to enter the drain channel, ventilation grille or electrical parts.
- ▶ Please use soft cleaning cloths and a universal pH-neutral cleaning agent.
- ▶ Please use cleaning and care products suitable for contact with foodstuffs in the appliance interior.

▶ **Empty appliance.**

▶ **Pull out the power plug.**



▶ Clean **plastic outer and inner surfaces** with lukewarm water and a little washing-up liquid.

▶ Only use a soft clean cloth to wipe **side walls with a paint finish**. In the case of heavy soiling, use lukewarm water with neutral cleaning agent.*

NOTICE

Risk of damage from stainless steel care products!

The **stainless steel doors** and **stainless steel side panels** are treated with a premium surface finish.

Stainless steel care products attack these surfaces.



▶ Only use a soft, clean cloth to wipe down **finished door and side panel surfaces** and **painted door and side panel surfaces**. To remove heavy dirt, use a little water or neutral detergent. Alternatively, you can use a micro-fibre cloth.

Do not treat the lettering on the painted door surfaces with harsh, abrasive agents. Wipe off any dirt with a soft cloth and some water or neutral cleaner.*

▶ Most of the **parts** can be dismantled for cleaning: see the relevant chapter.

▶ **Clean drawers** by hand with lukewarm water and a little washing up liquid.

▶ Clean the **Fruit & Vegetable safe cover** by hand using lukewarm water and a small amount of detergent.

▶ All the **other fittings** can be put in the dishwasher.

▶ Only use a damp cloth to clean the **telescopic rails**. The grease in the runners is for lubrication purposes and must not be removed.

After cleaning:

▶ Wipe dry the appliance and items of equipment.

▶ Connect the appliance and switch it on again.

When the temperature is sufficiently cold:

▶ Put the food back inside.

6.5 Customer service

First check whether you can rectify the fault yourself (see 7 Malfunctions) . If you cannot rectify the problem, contact Customer Services. You can find the address in the enclosed Customer Service Directory.



WARNING

Unprofessional repair!
Injuries.

- ▶ Have any repairs and action - not expressly specified - on the appliance and mains cable carried out by service personnel only. (see 6 Maintenance)
- ▶ A damaged mains cable may only be replaced by the manufacturer, the manufacturer's Customer Service or a similarly qualified person.
- ▶ In the case of appliances with an IEC connector, the change may be made by the customer.

Call up the appliance designation (model and index), service no. (service), serial no. (s-no.) as well as the expanded functions on the screen:

- ▶ Press menu.
- ▶ Press the navigation arrows until the appliance information symbol is displayed.
- ▶ Press the appliance information symbol.
- ▶ The appliance information is displayed.
- ▶ Note down the appliance information.
- ▶ To return to the home screen press the Back symbol.



- ▶ To access the customer menu, press it until the key symbol appears.



- ▶ Enter the numerical code **151** to select the customer menu.

Customer menu

The following functions can be called up in the customer menu:

- **Self diagnostics**
The appliance carries out self diagnostics and checks all electrical components.
- **RESET**
The appliance is reset to the factory settings.
- ▶ Close the door.
- ▶ Contact customer service and give them the required appliance information.
- ▶ This will help us to provide you with a faster, more accurate service.
- ▶ Follow any further instructions given by Customer Services.

Alternatively you can read off the appliance information from the model plate:

The model plate is inside the appliance on the left-hand side.

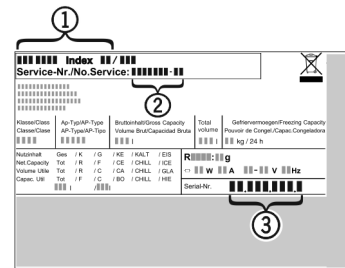


Fig. 53 *

- (1) Appliance description
- (2) Service no.
- (3) Serial no.

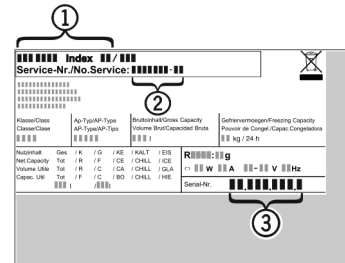


Fig. 54 *

- (1) Appliance description
- (2) Service no.
- (3) Serial no.

Licence agreements:

- ▶ Licences used can be viewed at ©.
- ▶ Press ©.

6.6 Energy efficiency class lighting*

Lighting	
Energy efficiency class ¹	Light source
This product contains an energy efficiency class G light source	LED

1 The appliance may contain light sources with different energy efficiency classes. The lowest energy efficiency class is indicated.

7 Malfunxions

Your appliance is designed and manufactured for a long life span and reliable operation. If a malfunction nonetheless occurs during operation, check whether it is due to a handling error. In this case you will have to be charged for the costs incurred, even during the warranty period. You may be able to rectify the following faults yourself:

Appliance does not work.

- The appliance is not switched on.
- ▶ Switching on the appliance.
- The power plug is not properly inserted in the wall socket.
- ▶ Check power plug.
- The fuse of the wall socket is not in order.
- ▶ Check fuse.
- The appliance plug does not fit the appliance properly.
- ▶ Check the appliance plug.

The compressor runs for a long time.

- The compressor switches to a low speed when little cold is needed. Although the running time is increased as a result, energy is saved.
- ▶ This is normal in energy-saving models.
- SuperCool is activated.
- ▶ The compressor runs for longer in order to rapidly cool the food. This is normal.

Messages

Excessive noise.

→ Due to the various speed steps, speed-regulated* compressors can generate different running noises.

- ▶ The sound is normal.

A bubbling and gurgling noise.

→ This noise comes from the refrigerant flowing in the refrigeration circuit.

- ▶ The sound is normal.

A quiet clicking noise.

→ The noise is produced whenever the refrigeration unit (motor) automatically switches on or off.

- ▶ The sound is normal.

A hum. It is briefly a little louder when the refrigeration unit (the motor) switches on.

→ The refrigeration increases automatically when the SuperCool function is activated, fresh food has just been placed in the appliance or the door has been left open for a while.

- ▶ The sound is normal.

→ The ambient temperature is too high.

- ▶ Solution: (see 1.2 Appliance range of use)

A low hum.

→ The sound is produced by air flow noise of the fan.

- ▶ The sound is normal.

Vibration noises

→ The appliance is not standing firmly on the floor. As a result objects and adjacent units start to vibrate when the refrigerator is running.

- ▶ Align the appliance using the adjustable feet.
- ▶ Keep bottles and jars apart.

Flow sound at the soft stop mechanism.

→ The noise is produced when the door is opened and closed.

- ▶ The sound is normal.

The DEMO symbol appears on the screen. In addition some time elapses.

→ DEMO mode is activated.

- ▶ OFF Press .

DEMO is displayed in the top right corner of the screen.

→ DEMO mode is activated.

- ▶ Unplug the appliance.
- ▶ Plug the appliance in again.
- ▷ The DEMO symbol appears on the screen. In addition some time elapses.
- ▶ OFF Press .

The outer surfaces of the appliance are warm*.

→ The heat of the refrigeration circuit is used to prevent condensate from forming.

- ▶ This is normal.

The temperature is not cold enough.

→ The door of the appliance is not properly closed.

- ▶ Close the door of the appliance.

→ Insufficient ventilation.

- ▶ Keep ventilation grille clear, and clean it.

→ The ambient temperature is too high.

- ▶ Solution: (see 1.2 Appliance range of use) .

→ The appliance was opened too frequently or for too long.

- ▶ Wait to see whether the appliance reaches the required temperature by itself. If not, please contact the after sales service (see 6 Maintenance) .

→ The temperature is incorrectly set.

- ▶ Set the temperature to a colder setting and check after 24 hours.

→ The appliance is too close to a source of heat (stove, heater etc).

- ▶ Change the position of the appliance or the source of heat.

The internal light does not come on.

→ The appliance is not switched on.

- ▶ Switch the appliance on.

→ The door was open for longer than 15 minutes.

- ▶ The internal light switches itself off automatically after about 15 minutes if the door is open.

→ The LED illumination is faulty or the cover is damaged:



WARNING

Risk of injury due to electric shock!

There are live electrical parts under the cover.

- ▶ Only ever have the inside LED light replaced or repaired by customer service or trained personnel.



WARNING

Risk of injury from LED bulb!

The light intensity of the LED light corresponds to hazard group RG 2.

If the cover is defective:

- ▶ Do not look directly into the light from close range. It cause injury to the eyes.

The door seal is defective or needs to be replaced for another reason.

→ The door seal can be replaced. It can be replaced without the need for special tools.

- ▶ Contact Customer Service (see 6 Maintenance) :

The unit has iced up or condensation has formed.

→ The door seal may have also slipped out of its groove.

- ▶ Check to ensure that the door seal is seated properly in the groove.

8 Messages

Error messages and reminders are displayed by an audible signal and a message on the screen. The audible signal gets louder and louder when error messages appear. It only stops when the message is confirmed. Highest priority messages are displayed first if several occur at the same time. Each message must be cleared separately.

The message stays in the menu field as long as it is active or the fault is not eliminated.

Note

Details on the message can be displayed again via the menu field.

- ▶ Press menu.

- ▶ Press the message symbol.

- ▶ The display switches to the next message when you press one. After the last active message the display switches to the home screen.

Door alarm

An audible warning sounds if the door is open for longer than 60 seconds. The door alarm symbol appears on the display. The audible warning stops automatically when the door is closed.



The audible warning can be switched off when the door is open. The audible alarm is switched off while the door is open.

- ▶ Press the door alarm symbol.

▷ The door alarm stops.

▷ The display switches to the home screen.

- ▶ Close the door.

Appliance faults

An audible warning sounds. The appliance fault symbol appears on the display with the relevant error code.



An appliance component indicates a fault.

- ▶ Open the door.
- ▶ Note down the fault code.
- ▶ Press the appliance fault symbol.
- ▷ The audible signal stops. The display switches to the home screen.
- ▶ Close the door.
- ▶ Contact Customer Services (see 6 Maintenance).

Other messages



FreshAirChange filter (see 6 Maintenance)



Clean the ventilation grille (see 6 Maintenance)

9 Decommissioning

9.1 Switching the appliance off

Note

If the appliance cannot be switched off, the child safety device is enabled.

- ▶ Switch the child safety device off (see 5.2.2 Switching the child safety device off).

9.1.1 Switch off the appliance from the menu

The whole appliance is switched off. The screen goes black.

- ▶ Press menu.
- ▶ Press the navigation arrows until the standby symbol is displayed.
- ▶ Press OK.
- ▷ The standby symbol flashes on the whole screen. The whole appliance is switched off.
- ▷ After 10 minutes the standby symbol goes out.

9.1.2 Switching the appliance off via the fridge compartment field.

The biofresh compartment automatically switches off when the fridge compartment is turned off. The screen remains on.

The screen remains on.

- ▶ Press the fridge compartment field.
- ▶ Press plus.
- ▷ The plus symbol is greyed out if it is pressed again after selecting the hottest temperature. The standby symbol is displayed on the screen.
- ▶ Press OK.
- ▷ The standby symbol is displayed in the fridge compartment and BioFresh compartment fields.
- ▷ The appliance is switched off and the screen remains switched on

9.2 Taking the appliance out of service

- ▶ Empty the appliance.
- ▶ Switch off the appliance (see 9 Decommissioning).
- ▶ Remove mains connector.
- ▶ Remove appliance connector if required: Remove and move from left to right at the same time.



- ▶ Clean the appliance (see 6.4 Cleaning the appliance).
- ▶ Leave the door open to prevent odour.

10 Disposal

10.1 Preparing appliance for disposal



Liebherr uses batteries in some of its appliances. In the EU, for environmental reasons, legislation obliges the end user to remove these batteries before disposing of old appliances. If your appliance contains batteries, a corresponding notice is attached.

Lamps

If you can remove the lamps yourself without destroying them, also remove these before disposal.

- ▶ Take the appliance out of operation. (see 9.2 Taking the appliance out of service)
- ▶ Appliances with batteries: remove the batteries. For description, see **Maintenance** chapter.
- ▶ If possible: remove lamps without destroying them.

10.2 Disposing of the appliance in an environmentally friendly manner



The appliance still contains valuable materials and must be disposed of separately from unsorted municipal waste.



Dispose of batteries separately from the old appliance. To do this, you can return the batteries free of charge to retailers as well as recycling centres and collection centres for recyclable materials.

Lamps

Dispose of removed lamps via the respective collection systems.

For Germany:*

You can dispose of the appliance free of charge via the class 1 collection containers at the local recycling and recyclable material collection centres. When purchasing a new fridge/freezer, if the sales area > 400 m², retailers will also take back the old appliance free of charge.*



WARNING

Leaking coolant and oil!

Fire. The coolant contained in the appliance is eco-friendly, but also flammable. The oil contained in the appliance is flammable. Escaping coolant and oil can ignite if the concentration is high enough and in contact with an external heat source.

- ▶ Do not damage the pipelines of the coolant circuit and the compressor.

- ▶ Transport the appliance without damaging it.
- ▶ Dispose of batteries, lamps and the appliance according to the above specifications.



Liebherr-Hausgeräte Ochsenhausen GmbH

Memminger Straße 77-79

88416 Ochsenhausen

Deutschland

home.liebherr.com